



**BOMBAY  
ALUMINIUM  
PRIVATE LIMITED**

## ALUMINIUM EXTRUDED SECTION PRODUCT CATALOGUE

Regd. Office: 13, Abba Apartment, Off: S.V.Road, Jogeshwari (W), Mumbai 400 102.  
Tel: 26793866, 26794580, 26781857, 9223385570. e-mail: [bmbyalmn@gmail.com](mailto:bmbyalmn@gmail.com)  
E-mail: [bombayaluminium@gmail.com](mailto:bombayaluminium@gmail.com) WEB.: [bombayaluminium.com](http://bombayaluminium.com)



# INDEX

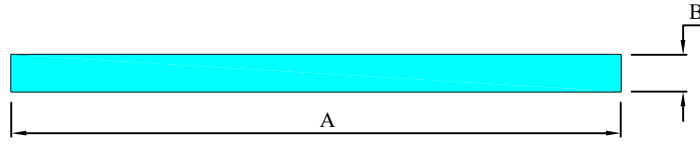
Section No.	Page No.	Section No.	Page No.	Section No.	Page No.
2001-2023	2	9001-9003	44	9122-9123	33
3001-3027	1	9004	30	9124-9128	45
3101-3140	69	9005-9007	48	9130-9132	31
3121-3140	66	9008-9010	36	9133	45
3141-3170	67	9011	15	9134	31
3171-3190	68	9012	36	9135	43
4001-4050	4	9013	32	9151-9152	40
4101-4200	6	9016-9021	24	9154	48
4301-4310	73	9022-9026	22	9155	27
4311-4320	70	9030	48	9161-9168	46
4351-4360	73	9032-9036	23	9169-9170	38
4401-4420	72	9042-9043	42	9171	33
4431-4440	71	9045-9047	35	9172	47
4451-4490	70	9048	8	9173	33
7101-7134	53	9050	25	9179-9180	25
7135-7140	57	9051	35	9190-9192	26
7141-7154	54	9052-9055	36	9195	50
7155-7160	57	9056-9058	25	9198	47
7161-7180	55	9059	30	9199	38
7181-7200	56	9060-9061	48	9200	33
7201-7220	51	9063	27	9201	38
7221-7250	52	9064	8	9203	8
7251-7260	61	9070-9072	28	9204-9205	29
7501-7520	59	9073	25	9206	44
7521-7540	60	9081	8	9207	42
7551-7553	65	9082-9083	7	9208	36
7554	64	9084	25	9209	17
7571-7572	63	9085	23	9210	38
7573-7580	64	9088	47	9211-9212	48
7601-7640	58	9089	46	9214	40
7651-7652	62	9090	27	9215	33
7653-7670	61	9091-9093	49	9216-9217	29
7671-7674	62	9094	18	9218-9220	39
7701-7750	74	9095-9098	37	9221-9222	38
7801-7805	76	9099-9100	27	9223-9229	39
7812-7813	77	9101-9104	21	9230	44
8001-8002	20	9105	28	9231-9234	14
8003-8004	41	9106	37	9236-9240	50
8006-8009	30	9107-9109	35	9242	18
8010	41	9110	27	9243	15
8011-8013	34	9111	15	9244-9247	16
8014	26	9112-9115	34	9248-9250	18
8015-8016	32	9116-9117	45	9251-9252	16
8021-8024	49	9118	37	9255-9261	77
8026	43	9120	43	9266-9267	81
8875-8880	26	9121	31	9265-9276	80
				9278-9279	21



Section No.	Page No.	Section No.	Page No.	Section No.	Page No.
9280	85	9476-9480	142	9623	11
9281-9283	84	9481-9484	143	9624	12
9284-9285	85	9486-9489	144	9625-9626	8
9286-9290	86	9490-9496	145	9627-9628	11
9291-9295	87	9497-9500	146	9630	12
9296	7	9501-9506	91	9641-9646	19
9297-9300	95	9507-9508	92	9651-9660	82
9301-9307	96	9511-9516	93	9701-9704	134
9303	99	9517-9520	88	9705-9708	135
9308-9311	97	9521-9526	89	9709-9714	136
9312-9318	98	9527-9533	90	9715-9719	147
9321-9324	100	9534	88	9720,9723-24	148
9322-9326	101	9535-9539	94	9721,9731-32	149
9331	100	9540-9547	100	9725-9729	150
9327-9334	102	9541-9542	99	9722,9733-35	151
9335-9342	103	9549-9552	107	9737-9741	152
9343-9346	104	9550-9551	108	9742-9745	153
9347-9351	105	9553	108	9746-9752	154
9352-9356	106	9554-9557	111	9753-9756	155
9357-9359	107	9559	112	9757-9760	156
9360-9362	108	9560	88	9761-9764	157
9363-9368	109	9561	112	9765-9769	158
9367	108	9562-67	113	9770-9776	159
9369-6972	110	9568-71	116	9777-9780	160
9373-9376	112	9572-9576	118	9781-9784	161
9378-81	114	9577	119	9785-9788	162
9382-86	115	9578-9581	120	9789-9793	163
9387	116	9582-9590	121	9795-9800	164
9388-9393	117	9591	122	9801-9806	165
9394-	118	9593-9594	128	9807-9808	166
9395-9398	119	9595-9596	129	9809-9812	167
9399-9401	122	9597-9600	130	9814-9820	168
9402-9405	123	9601	9	9821-9826	169
9407-9411	124	9602	10	9827-9832	170
9412-9416	125	9603-9605	7	9833-9835	171
9417-9421	126	9606	10	9841-9844	172
9422-9427	127	9607	9	9845-9848	173
9424-9426	128	9608-9609	17	9849-9854	174
9428	131	9610-9611	13	9855-9858	175
9429,30,35	131	9613	20	9861-9864	176
9431-9436	132	9614	7	9865-9868	171
9437-9440	133	9616	20	9869-9872	177
9441-	135	9617	28	9873-9875	178
9442, 9449	136	9618	7	9876-9878	179
9445-9451	137	9619	10	9879-9884	180
9453-9464	138,139	9620	9		
9466-9470	140	9621	12		
9471-9475	141	9622	10		



## FLAT BAR

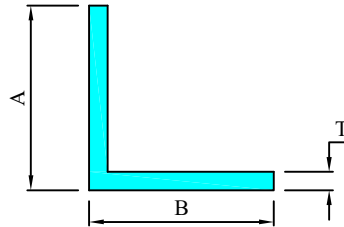


SEC. NO	A	B
3001	12.00	3.00
3002	12.70	6.30
3003	15.00	5.00
3004	15.00	9.00
3005	15.88	9.50
3006	16.80	6.50
3007	19.00	2.40
3008	19.00	3.00
3009	19.00	3.50
3010	19.00	5.00
3011	19.00	6.00
3012	19.00	6.35
3013	19.00	9.50
3014	20.00	2.70
3015	20.00	10.00
3016	22.00	3.30
3017	22.50	3.00
3018	25.00	2.00
3019	25.40	2.70
3020	25.40	3.00
3021	25.40	5.00
3022	25.40	6.35
3023	25.40	9.52
3024	25.40	12.70
3025	25.70	4.76
3026	30.00	3.00
3027	30.00	5.00

SEC. NO	A	B
3028	30.50	6.20
3029	31.75	3.20
3030	31.75	4.76
3031	31.75	6.35
3032	31.75	9.60
3033	35.00	8.00
3034	38.10	1.60
3035	38.10	3.20
3036	38.10	6.35
3037	38.10	9.52
3038	38.10	12.70
3039	38.10	19.00
3040	38.10	25.40
3041	40.00	5.00
3042	40.00	10.20
3043	40.40	10.00
3044	50.00	3.00
3045	50.00	6.00
3046	50.80	6.35
3047	50.80	9.50
3048	50.80	12.70
3049	50.80	15.80
3050	50.80	15.88
3051	50.80	19.00
3052	50.80	20.00
3053	50.80	25.40
3054	50.80	31.75



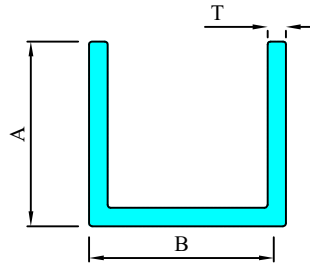
## ANGLE SECTION



SEC. NO.	A	B	T	WEIGHT RANGE KG./12'
2001	12.00	12.00	1.50	0.300-0.400
2002	19.00	19.00	1.00	0.350-0.450
2003	19.00	19.00	2.00	0.700-0.800
2004	19.00	19.00	2.50	0.850-0.950
2005	25.00	25.00	1.50	0.700-0.800
2006	25.00	25.00	2.00	0.900-1.000
2007	25.00	25.00	2.50	1.100-1.200
2008	25.00	25.00	3.00	1.350-1.450
2009	31.00	31.00	3.00	1.750-1.850
2010	38.00	38.00	1.50	1.100-1.200.
2011	38.00	38.00	2.50	1.800-1.900
2012	38.00	38.00	3.00	2.200-2.400
2013	38.00	38.00	3.00	2.000-2.200
2014	38.00	38.00	5.00	3.600-3.900
2015	50.00	50.00	3.00	2.800-2.900
2016	50.00	50.00	4.80	4.400-4.500
2017	75.00	75.00	3.00	4.400-4.500
2018	75.00	75.00	6.00	8.200-8.500
2019	38.00	25.00	1.50	1.200-1.300
2020	38.00	25.00	2.50	1.800-2.000
2021	50.00	25.00	1.50	1.100-1.200
2022	50.00	25.00	2.50	2.100-2.200
2023	100.00	50.00	6.00	8.800-9.000
2024	15.00	15.00	2.00	0.700-0.800



## U CHANNEL SECTION

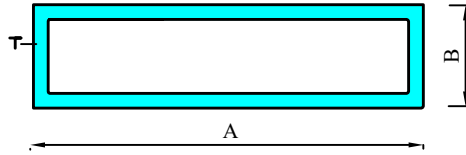


SEC. NO.	A	B	T	WEIGHT RANGE KG./12'
6001	8.00	8.00	1.00	0.240-0.250
6002	12.00	12.00	1.00	0.350-0.400
6003	12.00	18.00	1.00	0.450-0.500
6004	12.00	25.00	1.00	0.500-0.550
6005	12.00	32.00	1.20	0.650-0.700
6006	12.00	38.00	1.20	0.700-0.800
6007	18.00	38.00	1.50	1.000-1.100
6008	25.00	18.00	1.50	1.000-1.100
6009	25.00	25.00	2.00	1.400-1.500
6010	25.00	25.00	2.50	1.800-1.850
6011	40.00	30.00	2.50	2.800-3.000
6012	38.00	38.00	2.50	2.800-2.900
6013	38.00	25.00	2.00	1.800-2.000
6014	40.00	40.00	3.00	3.600-3.900
6015	50.00	25.00	2.00	2.400-2.500
6016	50.00	44.00	3.00	4.100-4.200
6017	50.00	44.00	2.00	3.00-3.200
6018	50.00	50.00	3.00	4.400-4.500
6019	20.00	10.00	2.00	1.600-1.800
6020	50.00	100.00	6.00	11.500-12.000
6021	19.00	9.00	1.00	0.800-0.900
6022	17.00	8.00	1.00	0.400-0.450
6023	18.00	18.00	2.00	1.200-1.300





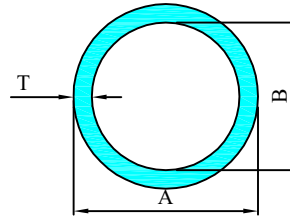
# BOMBAY ALUMINIUM PVT. LTD.



Sec. No.	A	B	T	Wt. Kgs./12'
4001	25.00	12.00	1.00	0.800
4002	33.00	12.00	1.20	1.150
4003	40.00	20.00	1.20	1.700
4004	37.00	25.00	0.90	1.200
4005	38.00	25.00	1.20	1.400
4006	38.00	25.00	1.50	1.650
4007	38.00	25.00	2.00	2.450
4008	40.00	20.00	2.50	2.900
4009	48.00	25.00	1.00	1.500
4010	50.00	25.00	1.20	1.850
4011	50.00	25.00	2.00	2.900
4012	50.00	38.00	3.00	4.500
4013	50.00	25.00	<b>1.5</b>	<b>2.100</b>
4014	63.00	38.00	1.00	1.650
4015	63.00	38.00	1.00	2.100
4016	63.00	38.00	1.50	2.850
4017	63.00	38.00	2.40	4.900
4018	75.00	25.00	1.00	2.100
4019	75.00	25.00	1.80	3.300
4020	81.00	38.00	1.00	2.750
4021	81.00	38.00	2.00	4.600
4022	100.00	36.00	1.00	3.400
4023	100.00	38.00	1.60	4.600
4024	100.00	38.00	3.00	8.300
4025	101.00	44.00	1.20	4.000
4026	101.00	44.00	3.00	8.800

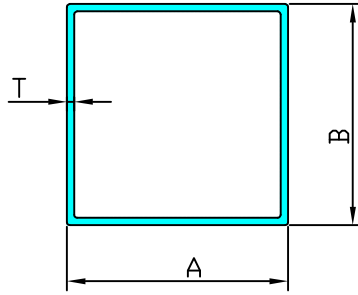
Sec. No.	A	B	T	Wt.Kgs./12'
4027	100.00	50.00	2.00	5.850
4028	125.00	25.00	1.20	3.600
4029	100.00	38.00	1.50	4.200
4030	154.00	25.00	1.60	6.200
4031	89.00	53.00	1.60	4.600
4032	154.00	38.00	2.0	7.400
4033	154.00	50.00	1.50	6.100
4034	154.00	50.00	2.00	8.000
4035	50.00	12.00	1.10	1.350
4036	50.00	18.00	1.20	1.800
4037	75.00	12.00	1.20	2.050
4038	75.00	18.00	1.20	2.100
4039	100.00	12.00	1.20	2.600
4040	100.00	18.00	1.20	2.950
4041	75.00	38.00	2.00	4.450
4042	75.00	50.00	2.00	5.000
4043	100.00	50.00	1.40	4.200
4044	100.00	50.00	3.00	8.850
4045	125.00	50.00	3.00	9.900
4046	125.00	100.00	2.40	10.700
4047	150.00	75.00	2.00	9.000
4048	200.00	75.00	2.00	11.200
4049	38.00	12.00	1.50	1.700
4050	50.00	12.00	1.50	2.100
4051	75.00	12.00	1.50	2.700
4052	100.00	12.00	1.50	3.200

# BOMBAY ALUMINIUM PVT. LTD.

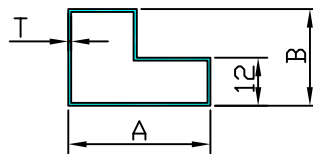


SEC. NO.	A	B	T	WEIGHT RANGE KG./12'
5001	38.00	35.00	1.50	1.700-1.850
5002	38.10	32.10	3.00	2.900-3.200
5003	38.10	34.90	1.60	1.600-1.900
5004	40.00	35.00	2.50	2.800-3.100
5005	42.00	37.50	2.25	2.200-2.500
5006	42.00	38.00	2.50	2.300-2.600
5007	45.00	25.00	10.00	10.700-11.100
5008	50.00	40.00	5.00	6.800-7.300
5009	50.00	44.50	2.75	4.000-4.300
5010	50.80	44.50	3.15	4.600-4.900
5011	50.80	44.80	3.00	4.000-4.300
5012	52.00	38.00	7.00	9.500-10.000
5013	57.50	50.80	3.35	5.200-6.000
5014	58.00	51.00	3.50	6.000-6.500
5015	60.00	40.00	10.00	15.200-16.300
5016	60.00	50.00	5.00	8.500-9.100
5017	60.00	54.00	3.00	5.000-5.900
5018	60.00	57.00	1.50	2.500-3.100
5019	62.00	56.00	3.00	5.500-6.200
5020	63.50	50.80	6.35	10.800-11.500
5021	63.50	57.15	3.175	5.700-6.500
5022	65.00	30.00	17.50	25.000-26.000
5023	72.00	50.00	11.00	20.200-21.300
5024	73.00	63.00	5.00	10.800-11.500
5025	74.00	69.00	2.50	5.300-6.000
5026	76.20	50.80	12.70	25.000-26.000

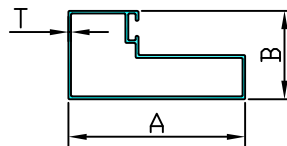
# BOMBAY ALUMINIUM PVT. LTD.



SL. NO.	SEC.No.	A	B	T	Wt.(kg/Mtr.)	Wt.(kg/12')
1	4101	12.50	12.50	0.60	0.068	0.250-0.350
2	4111	18.50	18.50	0.80	0.150	0.550-0.650
3	4121	24.00	24.00	0.75	0.190	0.700-0.900
4	4121	25.00	25.00	1.20	0.305	1.100-1.200
5	4131	38.00	38.00	1.00	0.437	1.600-1.800
6	4132	38.00	38.00	1.60	0.605	2.200-2.400
7	4141	50.00	50.00	1.20	0.655	2.400-2.600
8	4142	50.00	50.00	2.0	1.095	3.800-4.000
9	4151	75.00	75.00	1.80	1.650	5.400-5.800
10	4152	75.00	75.00	2.8	2.325	8.600-9.000
11	4153	100.00	100.00	2.0	2.185	8.000-8400
12	4154	60.00	60.00	2.0	1.315	4.800-5.000



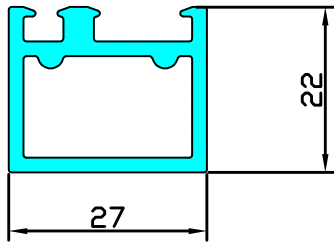
SL. NO.	SEC.No.	A	B	T	Wt.(kg/Mtr.)	Wt.(kg/12')
1	4201	38.00	24.00	0.80	0.255	0.900-1.100
2	4202	38.00	24.00	1.20	0.400	1.400-1.500
3						
4						



SL. NO.	SEC.No.	A	B	T	Wt.(kg/Mtr.)	Wt.(kg/12')
1	4301	48.00	24.00	0.90	0.355	1.300-1.500
2	4302	48.00	24.00	1.30	0.520	1.800-2.000
3						
4						

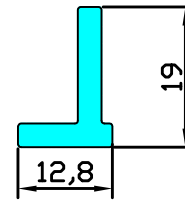
# BOMBAY ALUMINIUM PVT. LTD.

Sec. No.-9082



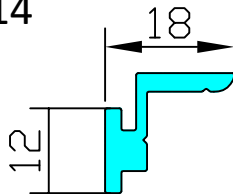
Wt: 2.20 Kgs./12'

Sec. No.-9083



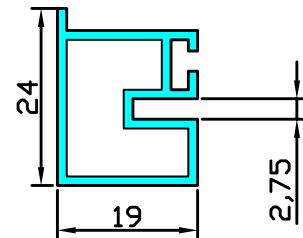
Wt: 0.950 Kgs./12'

Sec. No.-9614



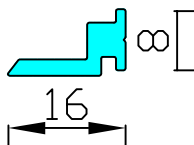
Wt: 0.850 Kgs./12'

Sec. No.-9603



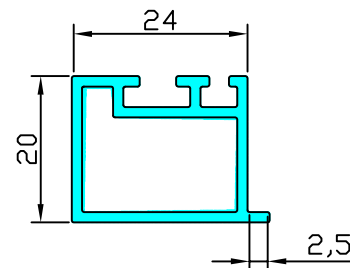
Wt: 1.60 Kgs./12'

Sec. No.-9498



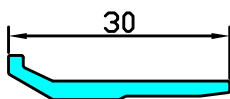
Wt: 0.600 Kgs./12'

Sec. No.-9605



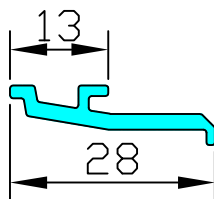
Wt: 1.600 Kgs./12'

Sec. No.-8025



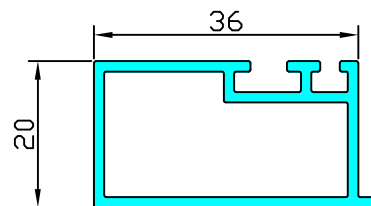
Wt: 0.700 Kgs./12'

Sec. No.-9096



Wt: 0.850 Kgs./12'

Sec. No.-9647

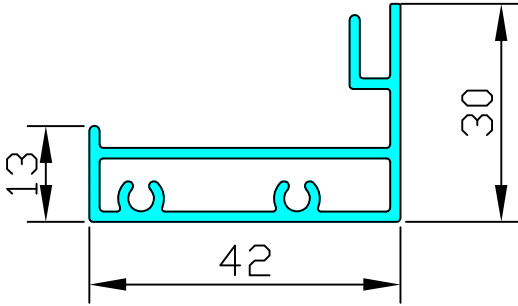


Wt: 1.80 Kgs./12'



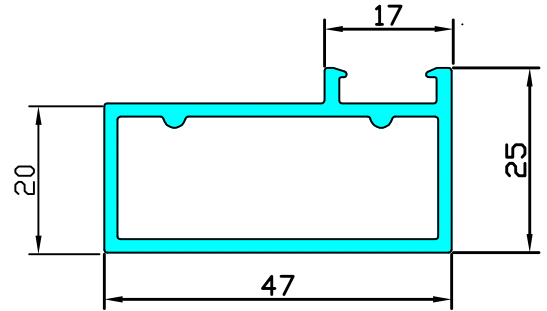


Sec. No.-9081



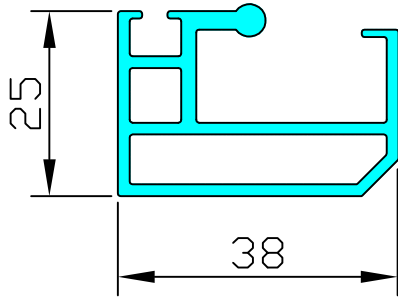
Wt: 2.20 Kgs./12'

Sec. No.-9203



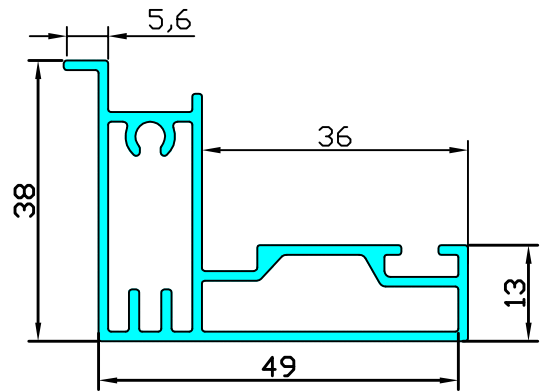
Wt: 2.60 Kgs./12'

Sec. No.-9625



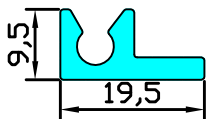
Wt: 2.60 Kgs./12'

Sec. No.-9064



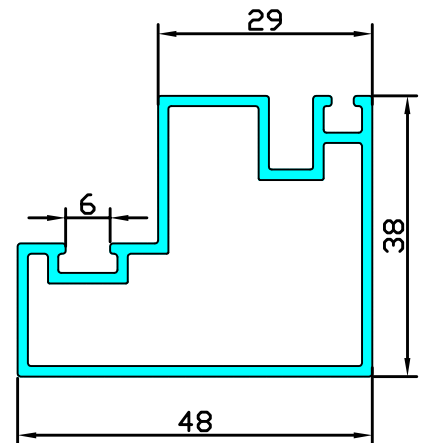
Wt: 2.80 Kgs./12'

Sec. No.-9626



Wt: 0.850 Kgs./12'

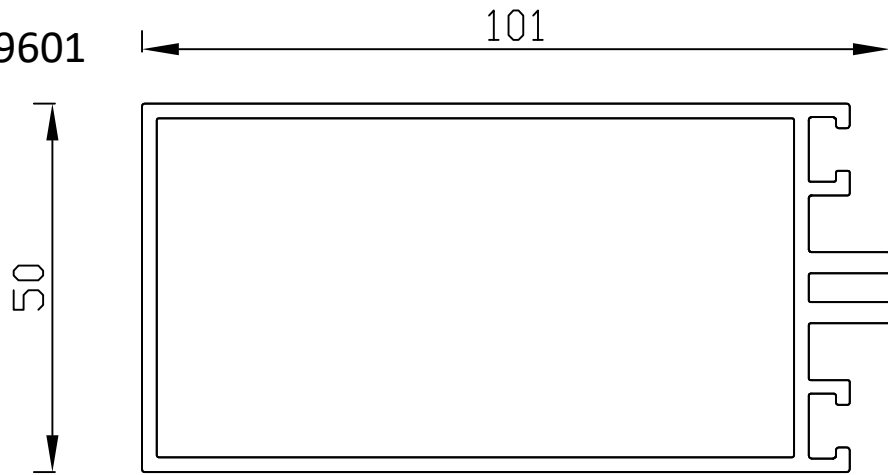
Sec. No.-9048



Wt: 2.80 Kgs./12'

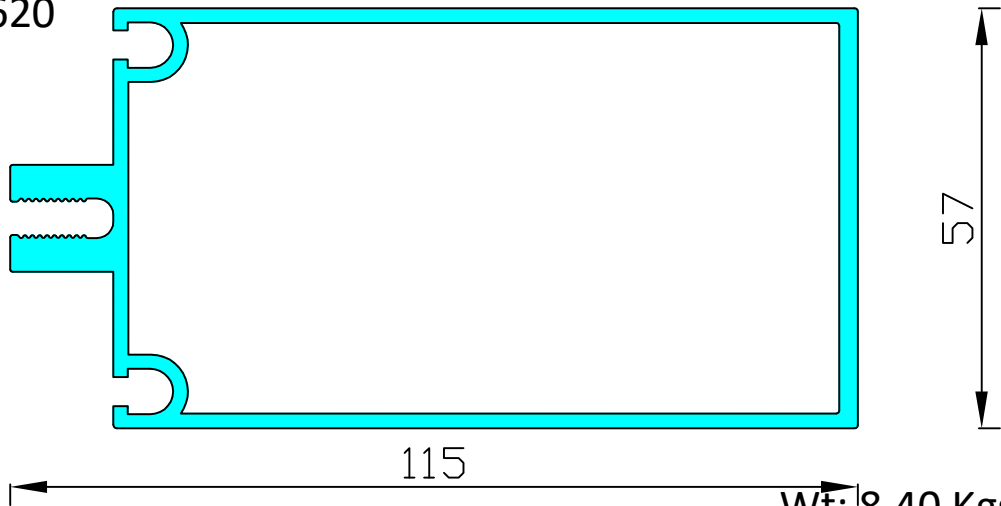
# BOMBAY ALUMINIUM PVT. LTD.

Sec. No.-9601



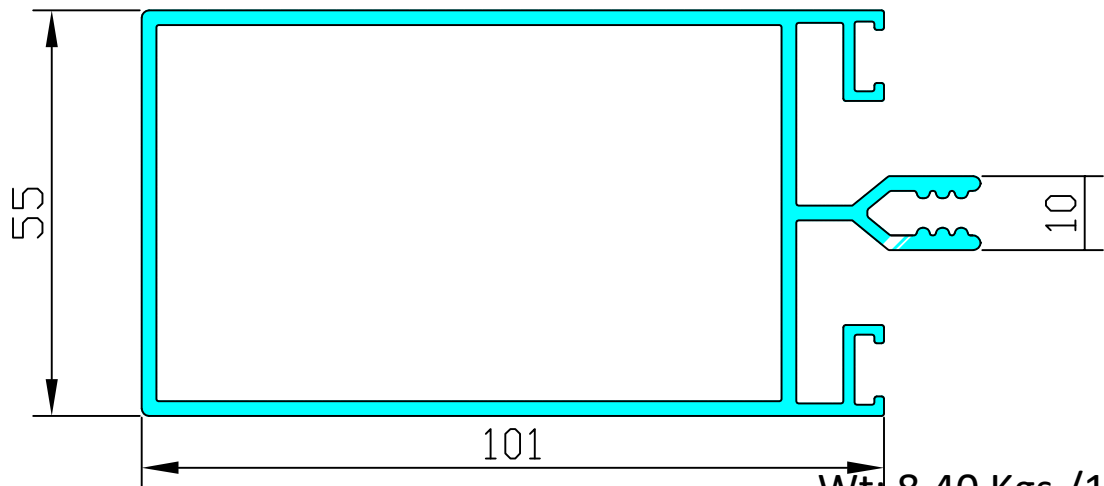
Wt: 6.20 Kgs./12'

Sec. No.-9620



Wt: 8.40 Kgs./12'

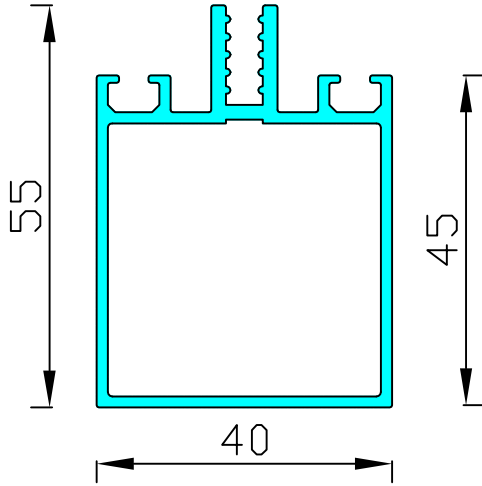
Sec. No.-9607



Wt: 8.40 Kgs./12'

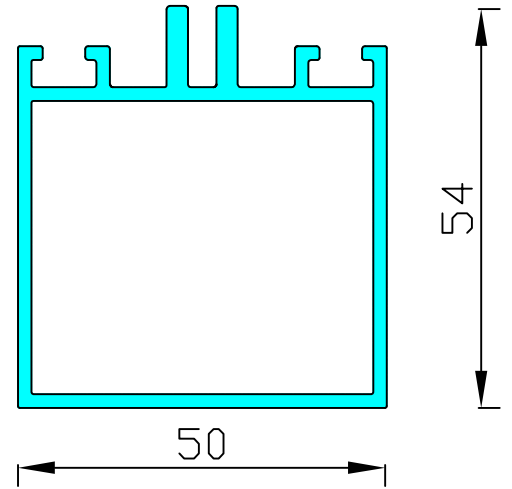


Sec. No.-9622



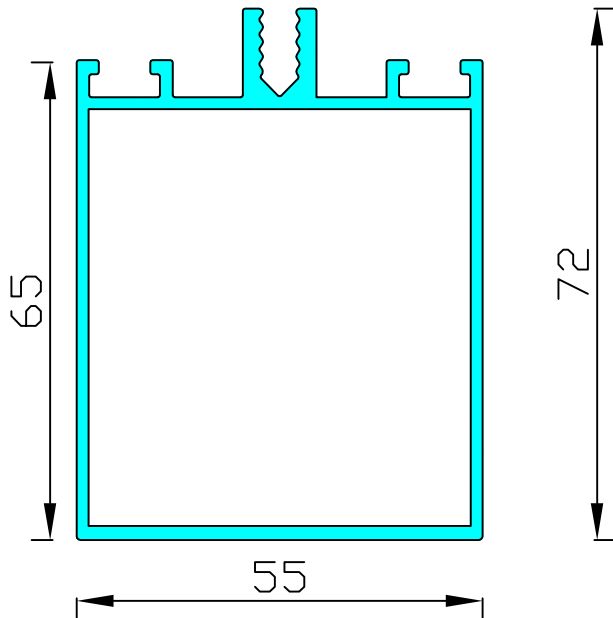
Wt: 3.40 Kgs./12'

Sec. No.-9602



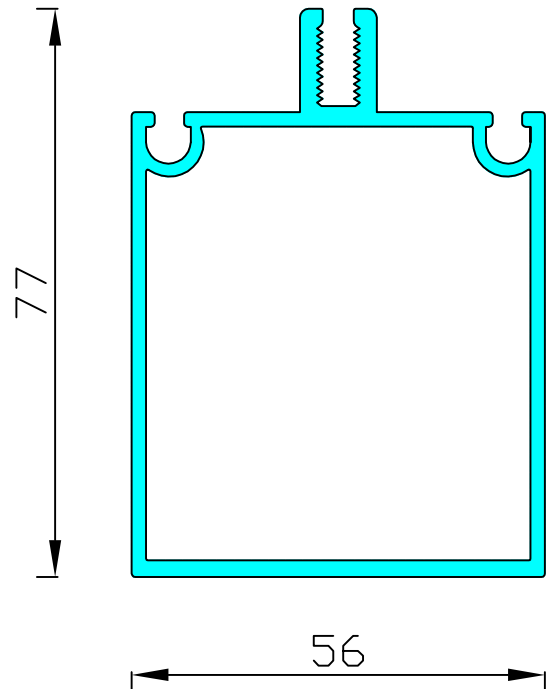
Wt: 4.50 Kgs./12'

Sec. No.-9606



Wt: 4.80 Kgs./12'

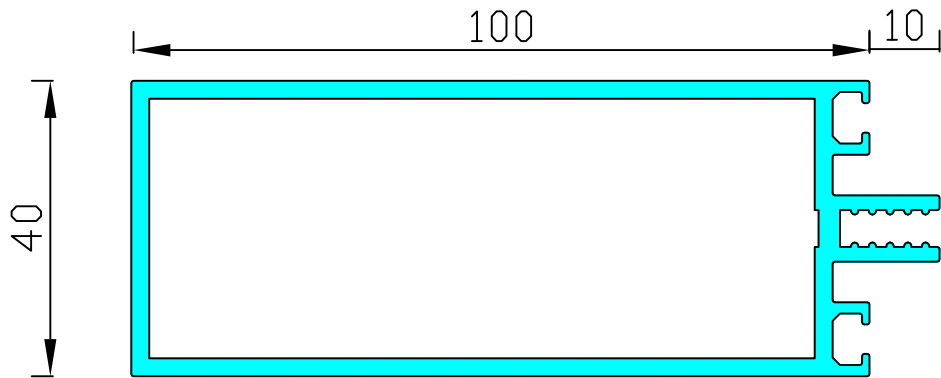
Sec. No.-9619



Wt: 6.20 Kgs./12'

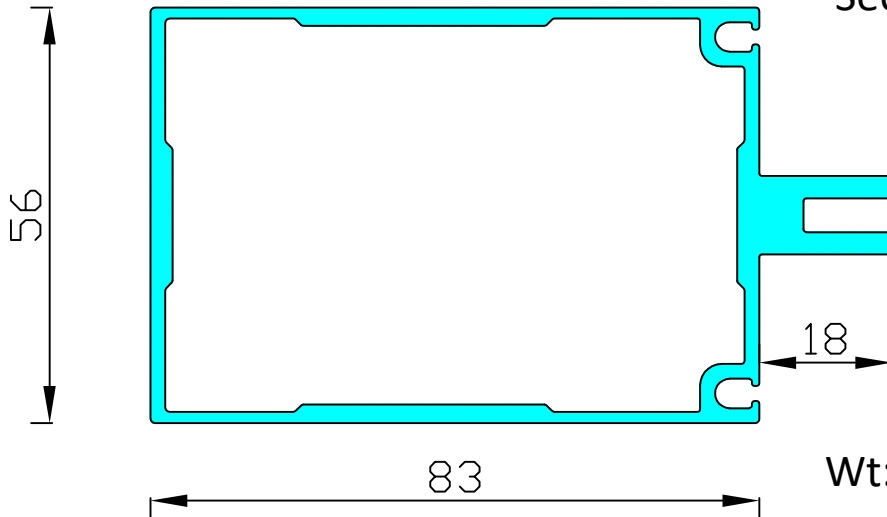


Sec. No.-9623



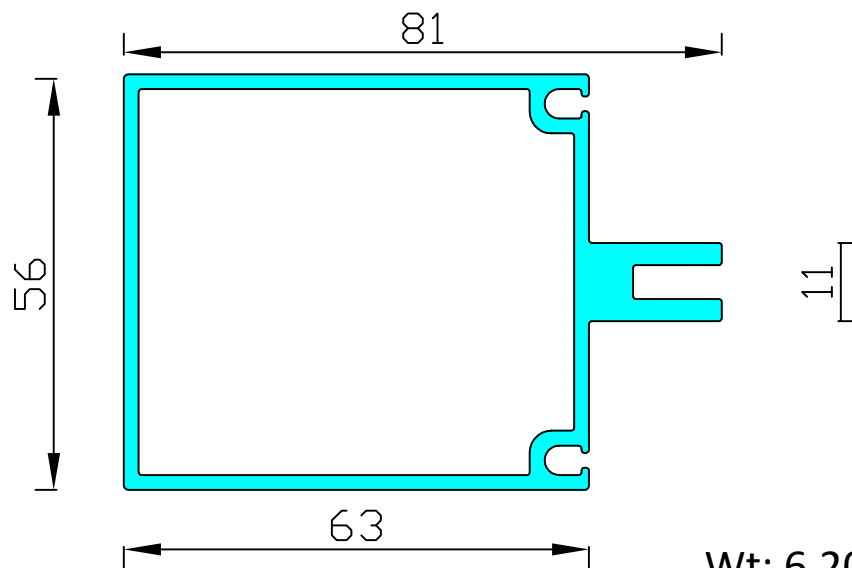
Wt: 7.50 Kgs./12'

Sec. No.-9627



Wt: 7.50 Kgs./12'

Sec. No.-9628

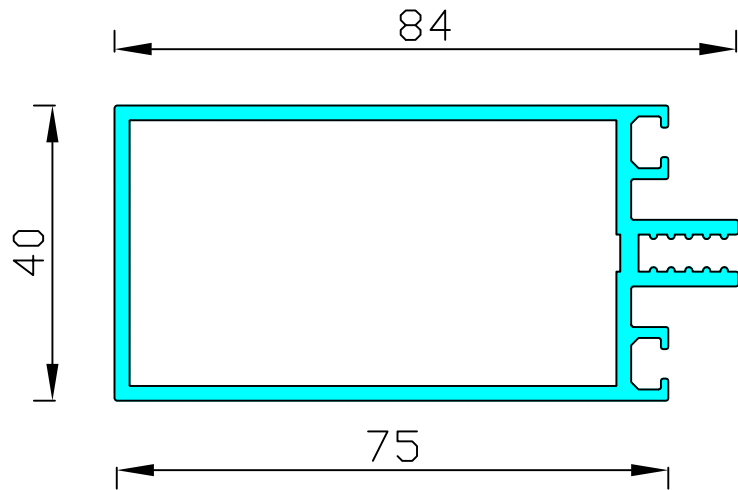


Wt: 6.20 Kgs./12'



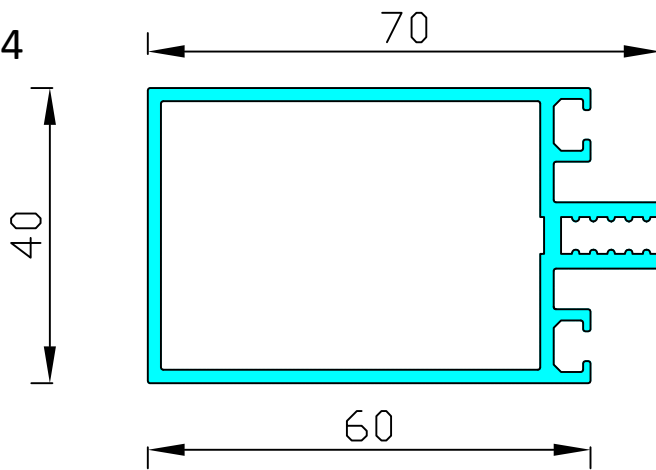


Sec. No.-9621



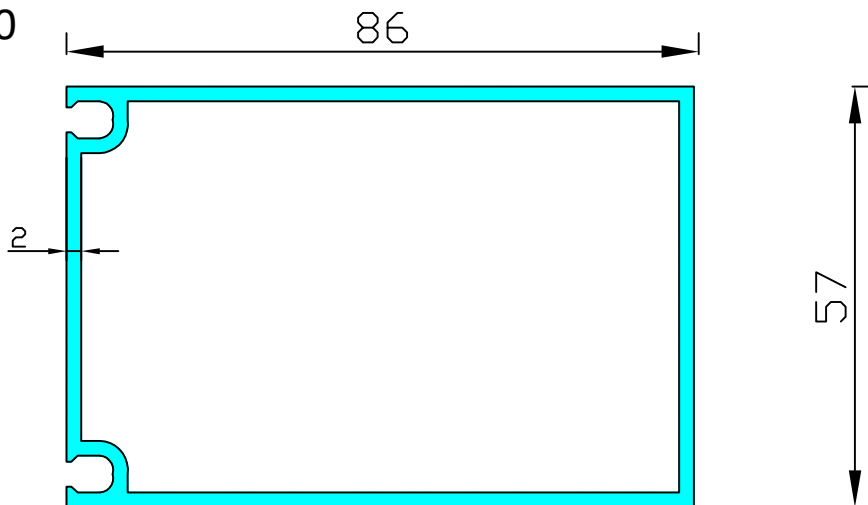
Wt: 5.40 Kgs./12'

Sec. No.-9624



Wt: 4.40 Kgs./12'

Sec. No.-9630

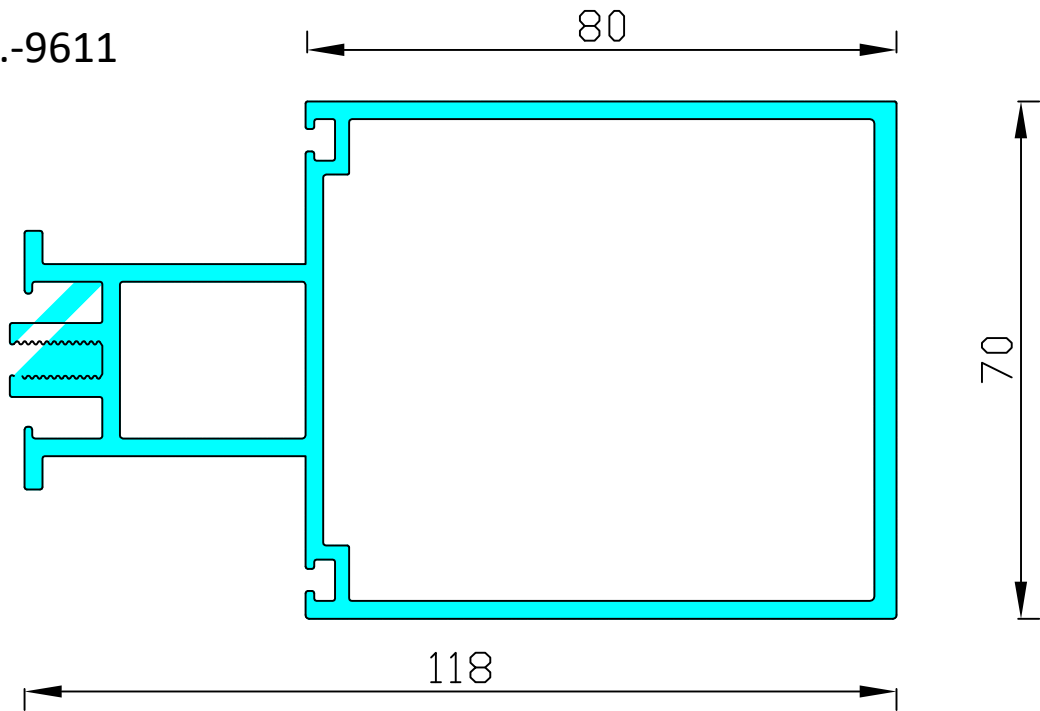


Wt: 6.00 Kgs./12'



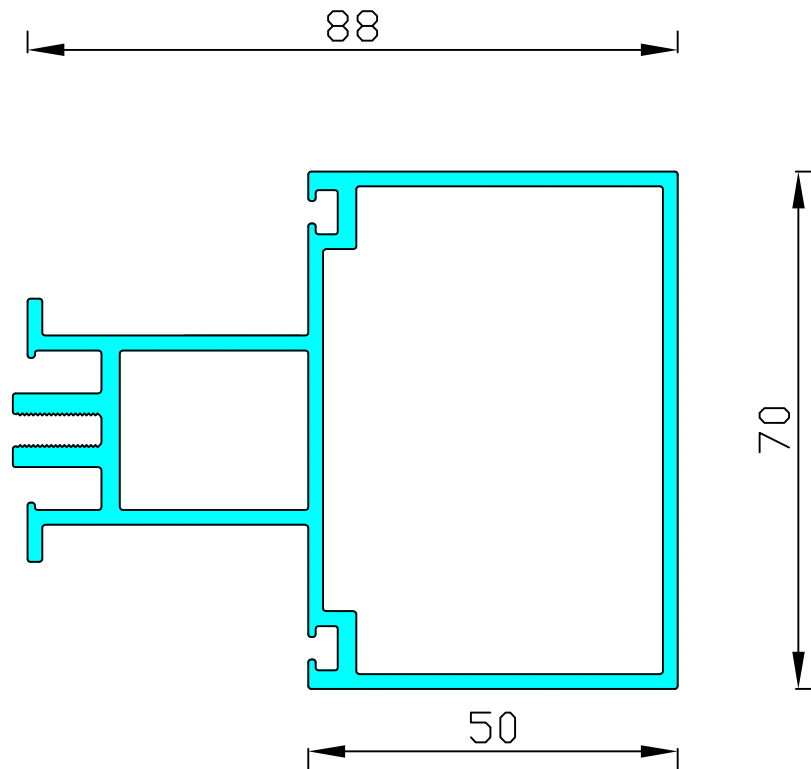
# BOMBAY ALUMINIUM PVT. LTD.

Sec. No.-9611



Wt: 11.00 Kgs./12'

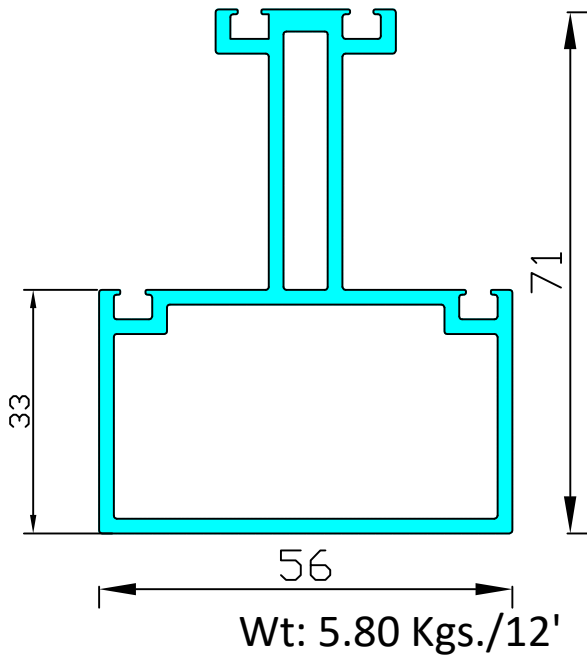
Sec. No.-9610



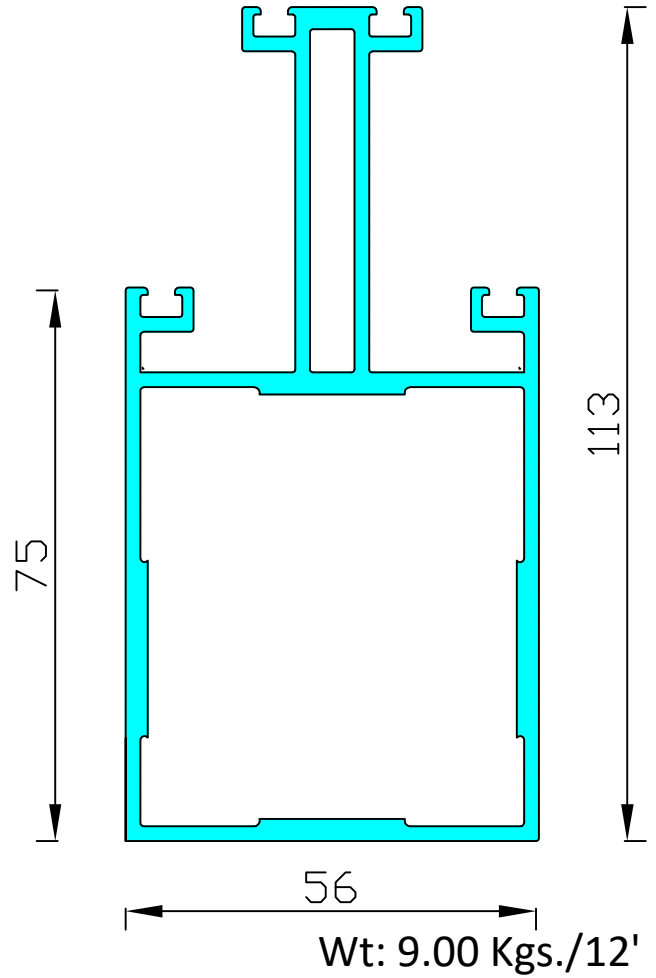
Wt: 7.90 Kgs./12'



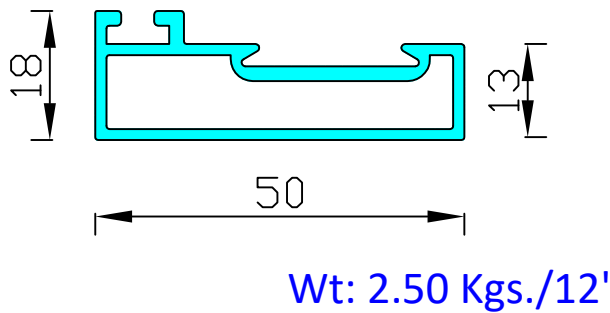
Sec. No.-9232



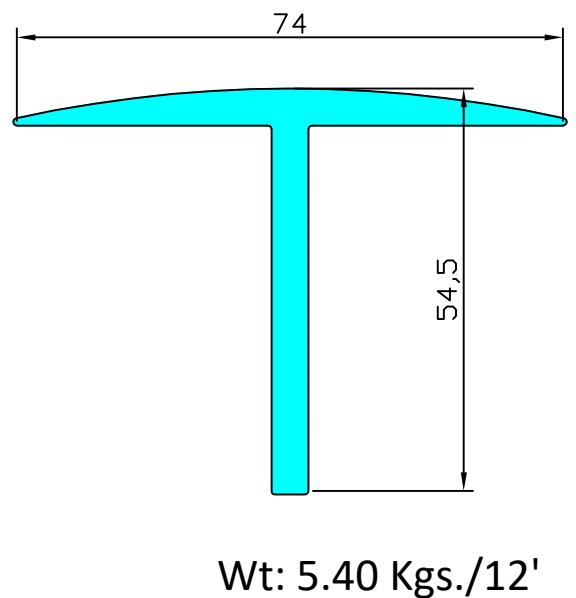
Sec. No.-9233



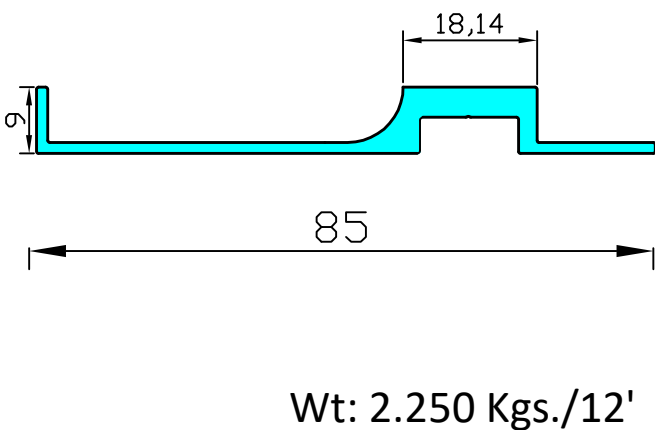
Sec. No.-9234



Sec. No.-9231

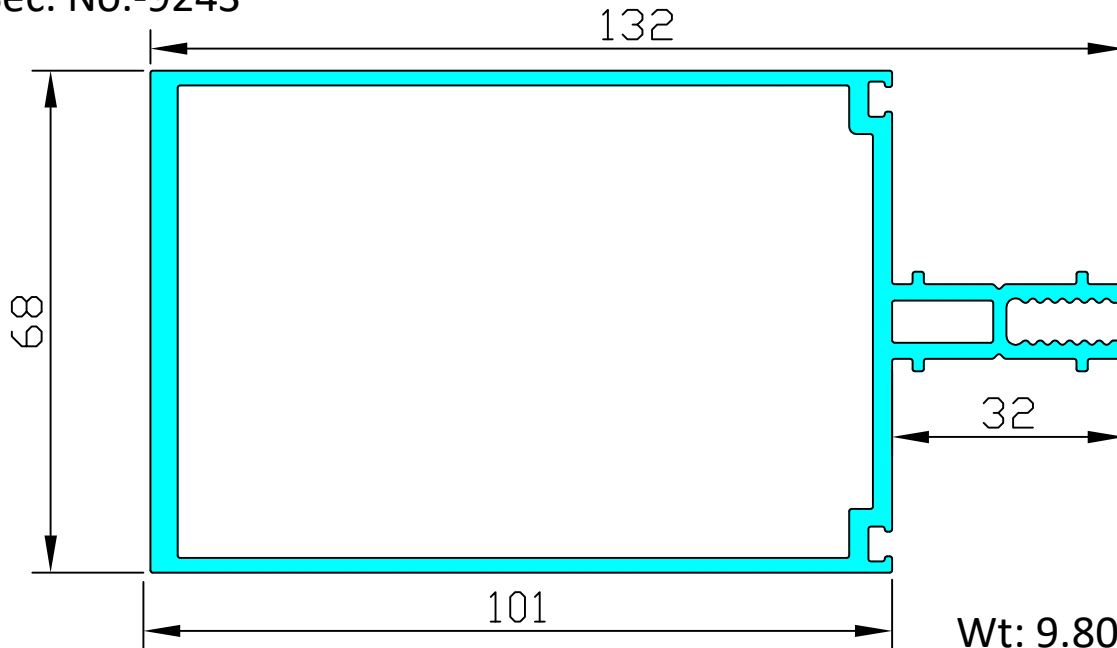


Sec. No.-9235



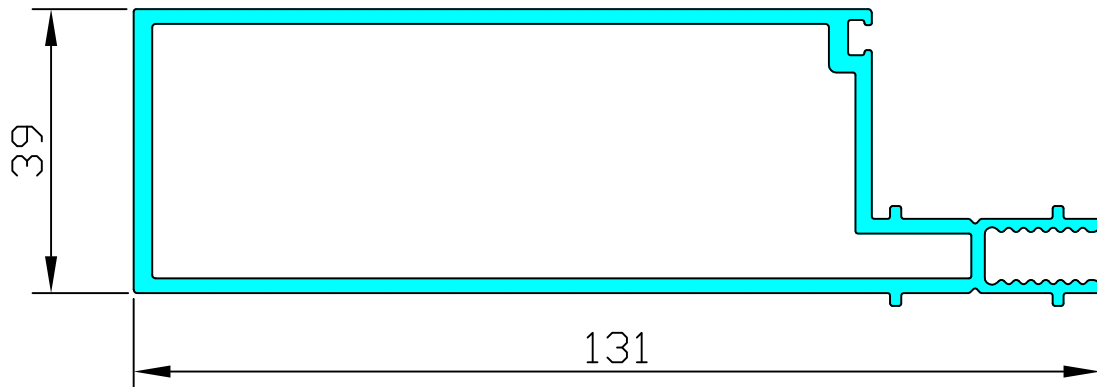


Sec. No.-9243



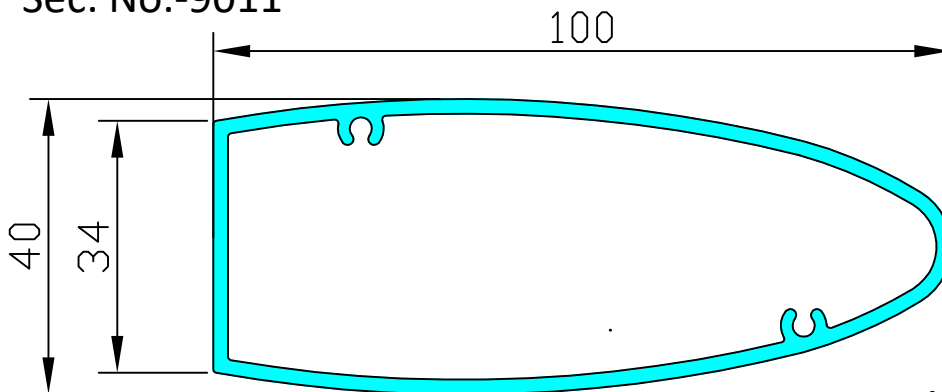
Wt: 9.800 Kgs./12'

Sec. No.-9246



Wt: 6.80 Kgs./12'

Sec. No.-9011

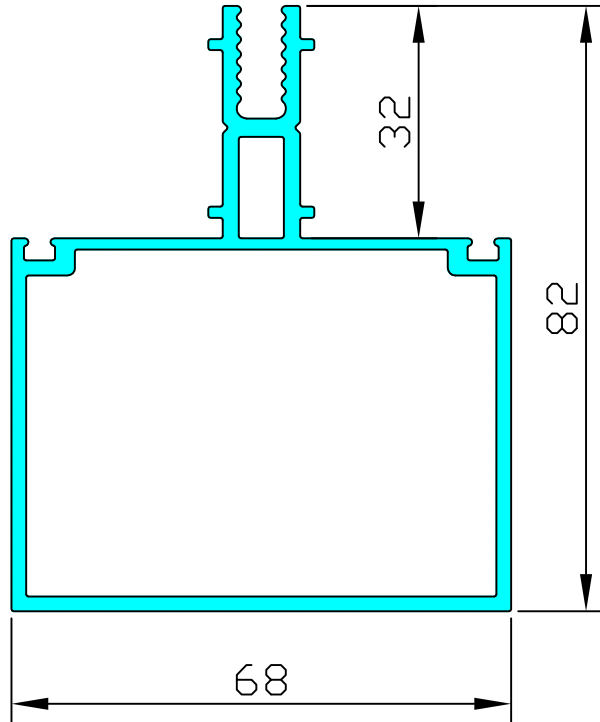


Wt: 4.80 Kgs./12'



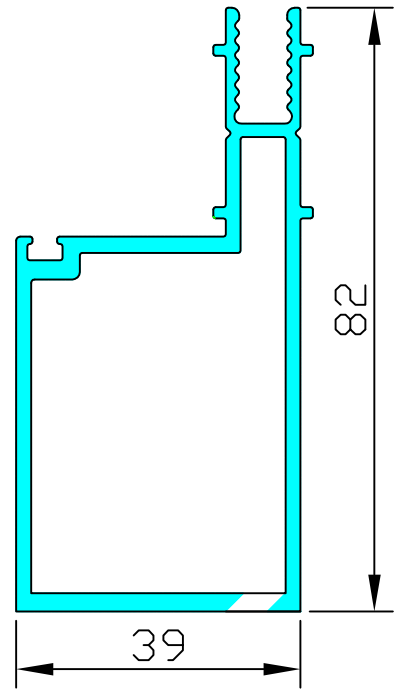


Sec. No.-9244



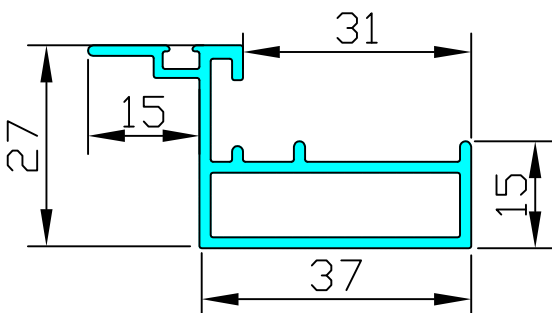
Wt: 6.200 Kgs./12'

Sec. No.-9247



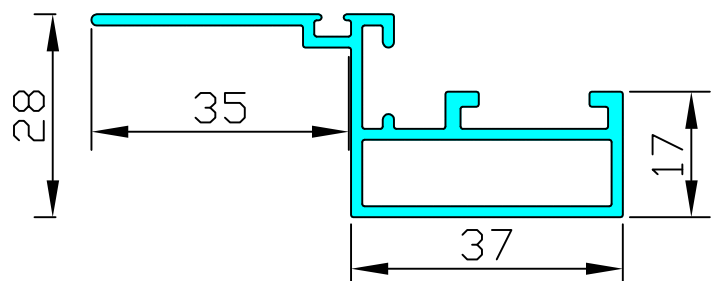
Wt: 4.50 Kgs./12'

Sec. No.-9245



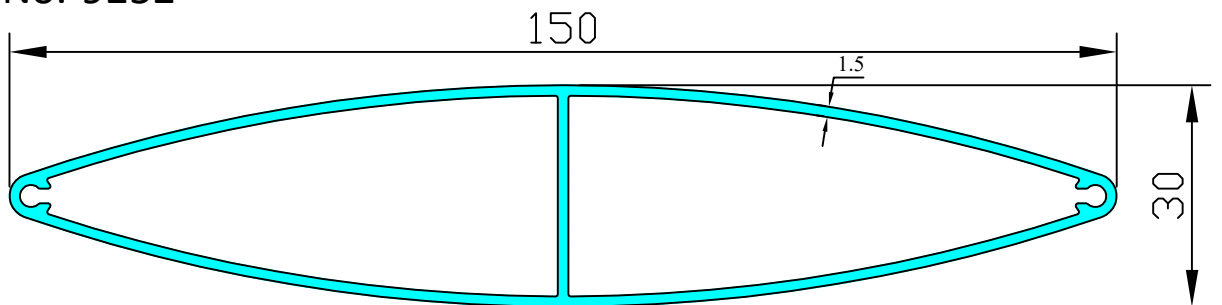
Wt: 2.20 Kgs./12'

Sec. No.-9251



Wt: 2.80 Kgs./12'

Sec. No.-9252

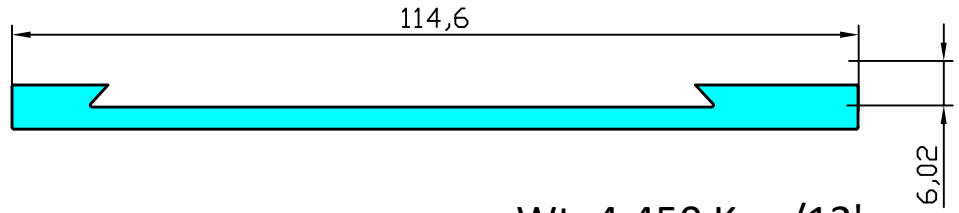


Wt: 6.200 Kgs./12'



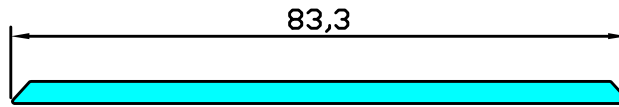
# BOMBAY ALUMINIUM PVT. LTD.

Sec. No.-9209



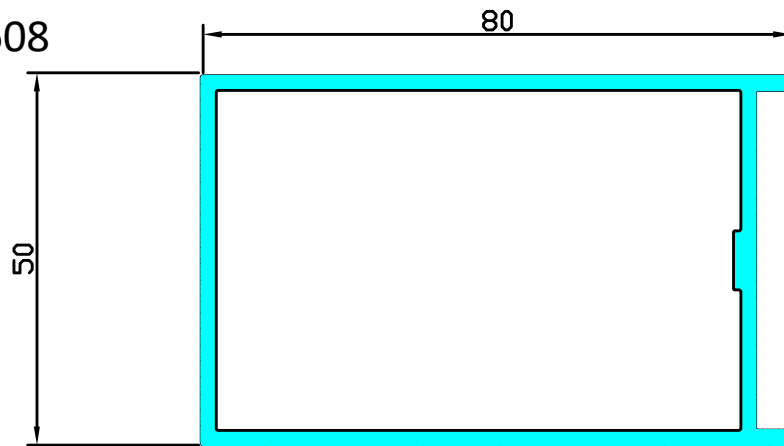
Wt: 4.450 Kgs./12'

Sec. No.-9209A



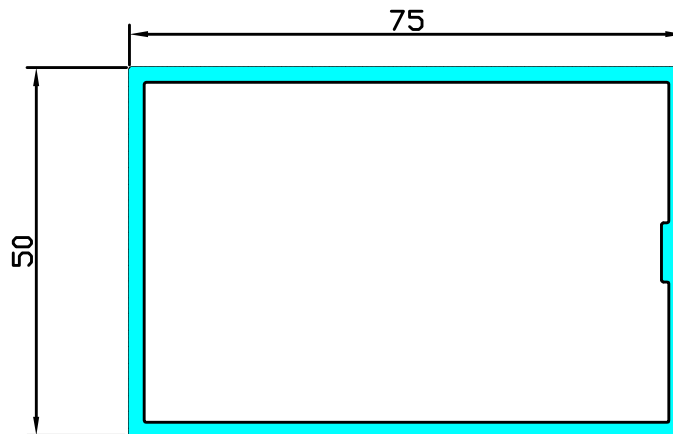
Wt: 2.450 Kgs./12'

Sec. No.-9608



Wt: 5.05 Kgs./12'

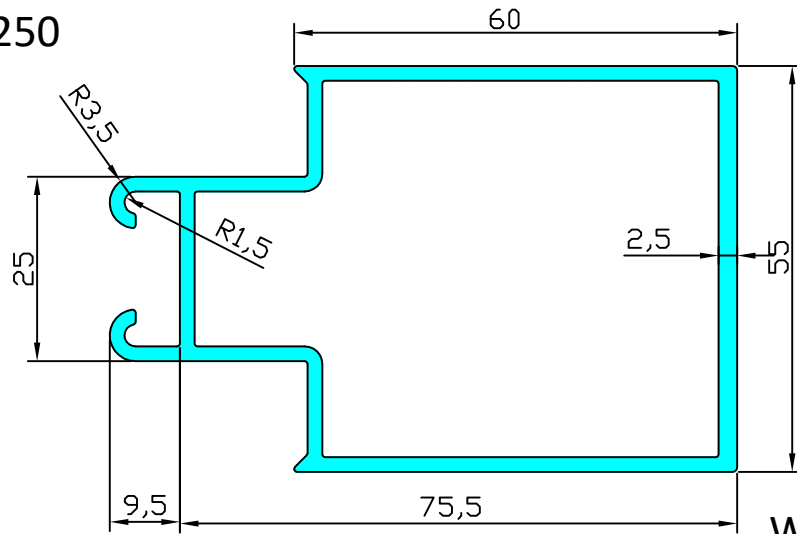
Sec. No.-9609



Wt: 7.00 Kgs./12'

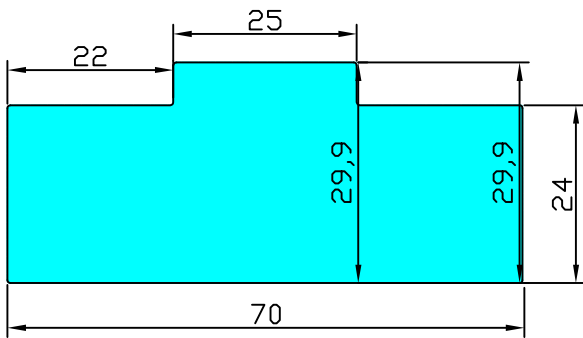


Sec. No.-9250



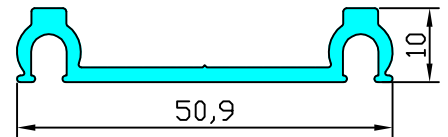
Wt: 8.00 Kgs./12'

Sec. No.-9042



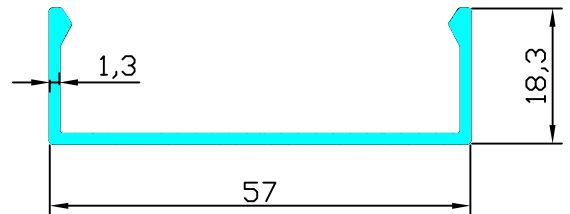
Wt: 18.85 Kgs./12'

Sec. No.-9248



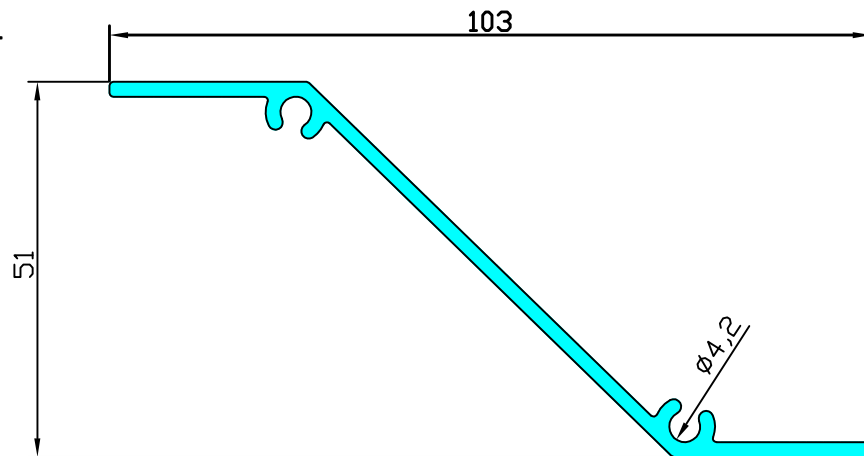
Wt: 1.65 Kgs./12'

Sec. No.-9249



Wt: 1.30 Kgs./12'

Sec. No.-9094

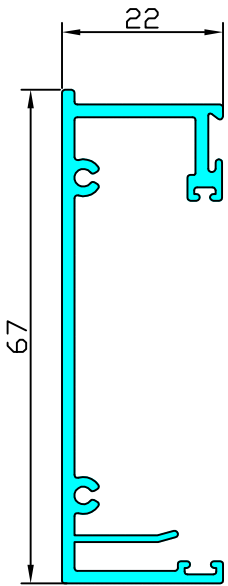


Wt: 2.10 Kgs./12'



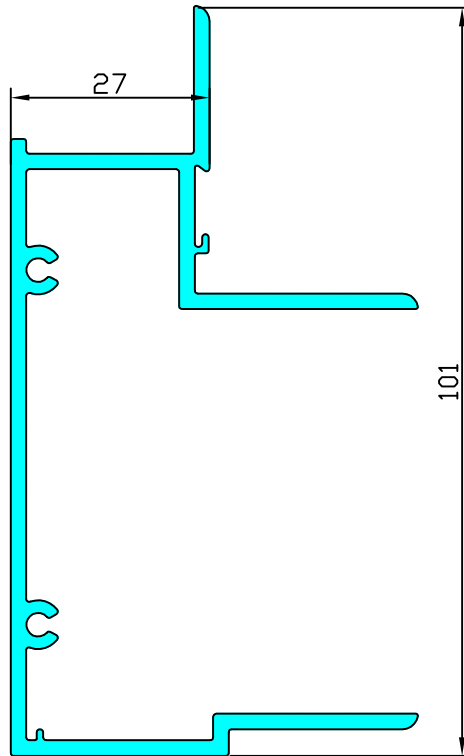
# BOMBAY ALUMINIUM PVT. LTD.

Sec. No.-9641



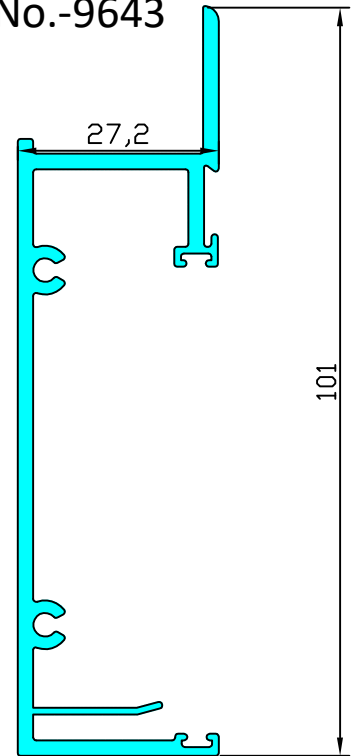
Wt: 2.50 Kgs./12'

Sec. No.-9642



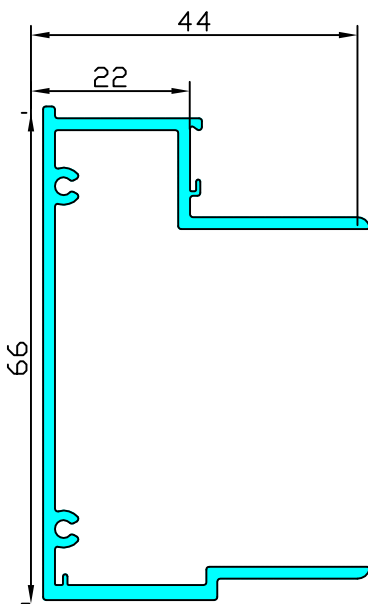
Wt: 5.20 Kgs./12'

Sec. No.-9643



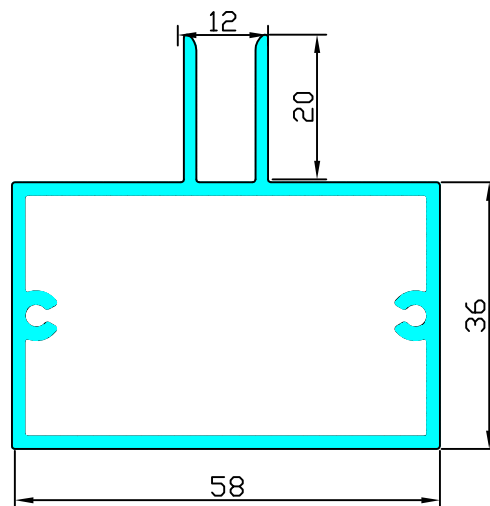
Wt: 4.00 Kgs./12'

Sec. No.-9644



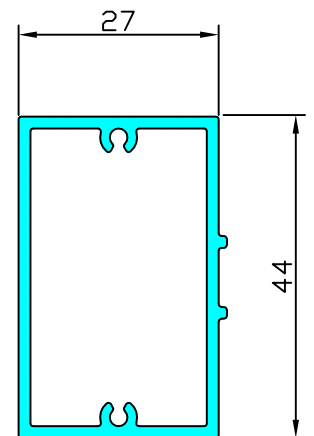
Wt: 3.00 Kgs./12'

Sec. No.-9645



Wt: 4.00 Kgs./12'

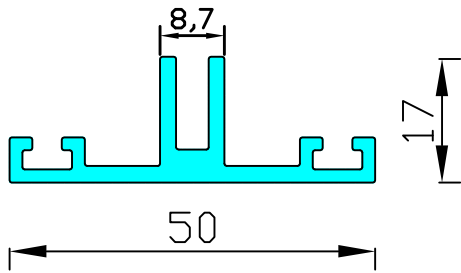
Sec. No.-9646



Wt: 2.40 Kgs./12'

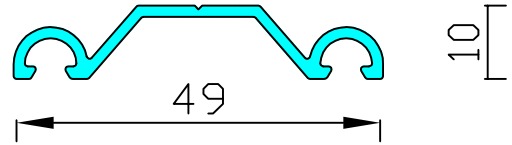


Sec. No.-8001



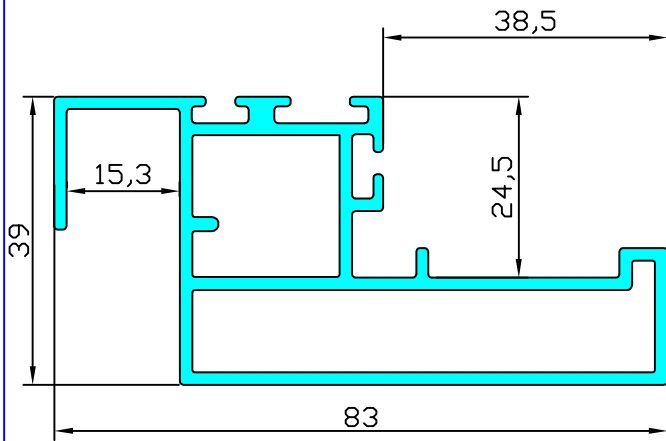
Wt: 2.25 Kgs./12'

Sec. No.-8002



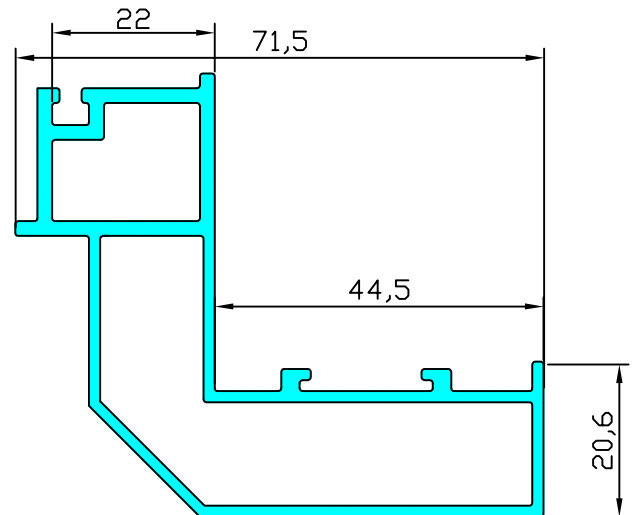
Wt: 1.30 Kgs./12'

Sec. No.-9613



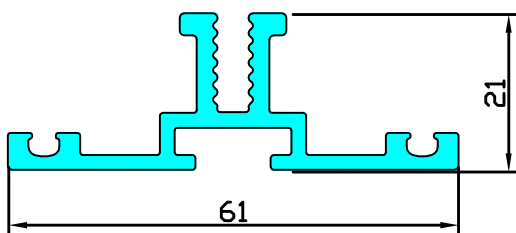
Wt: 5.50 Kgs./12'

Sec. No.-9616



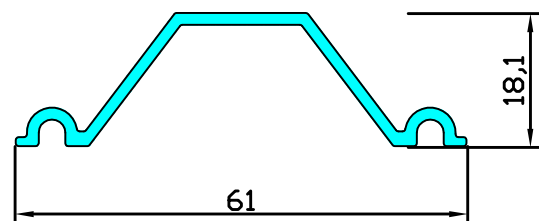
Wt: 4.85 Kgs./12'

Sec. No.-9175



Wt: 2.750 Kgs./12'

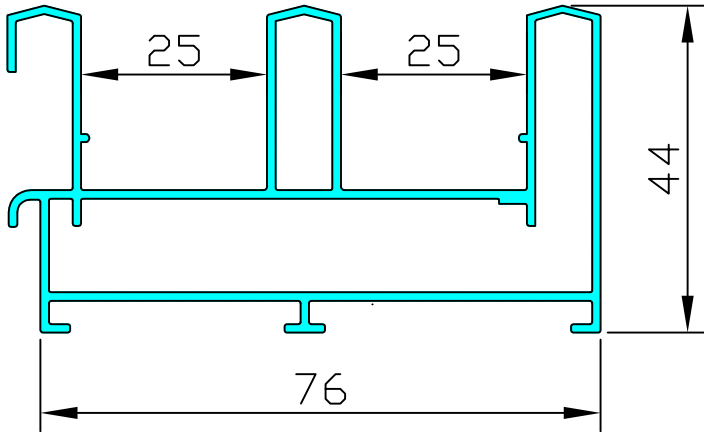
Sec. No.-9174



Wt: 1.60 Kgs./12'

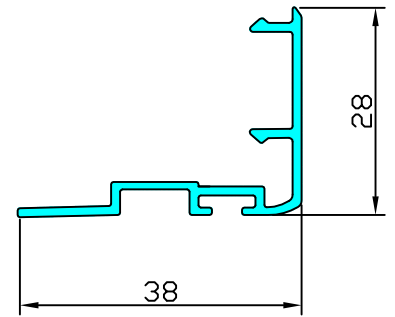


Sec. No.-9102



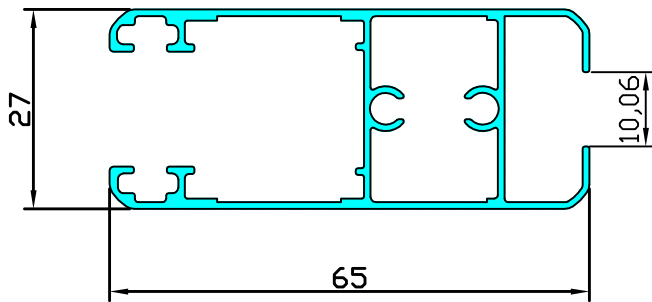
Wt: 5.00 Kgs./12'

Sec. No.-9104



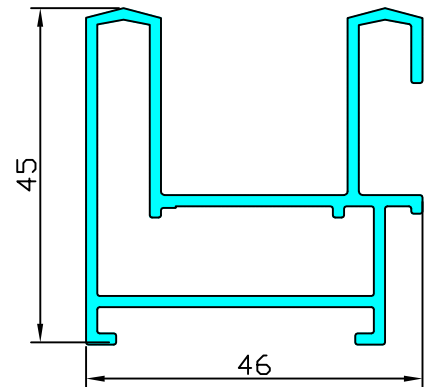
Wt: 1.250 Kgs./12'

Sec. No.-9103



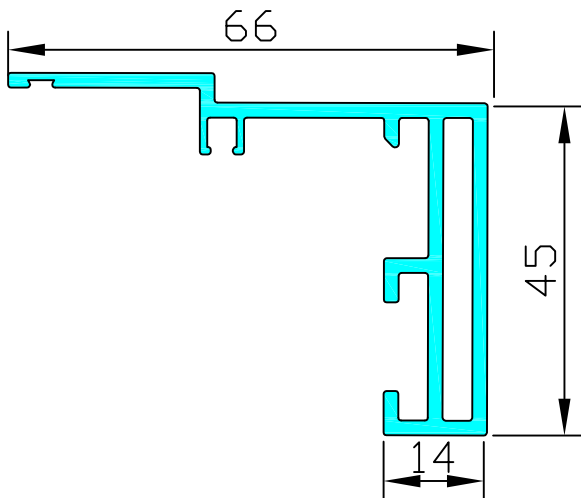
Wt: 2.80 Kgs./12'

Sec. No.-9101



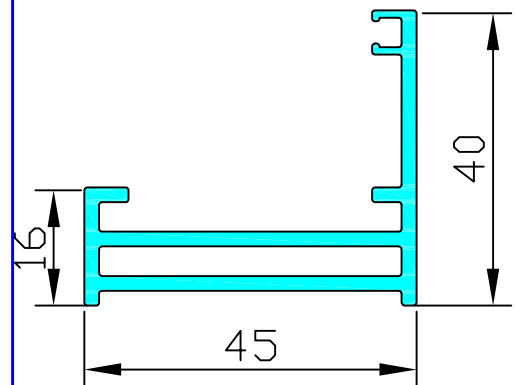
Wt: 3.20 Kgs./12'

Sec. No.-9279



Wt: 3.850 Kgs./12'

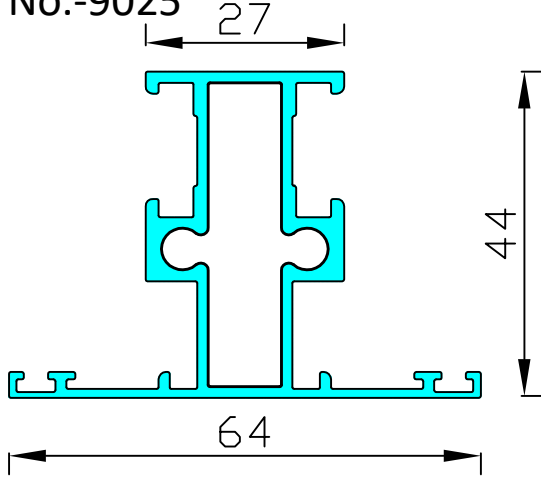
Sec. No.-9278



Wt: 3.050 Kgs./12'

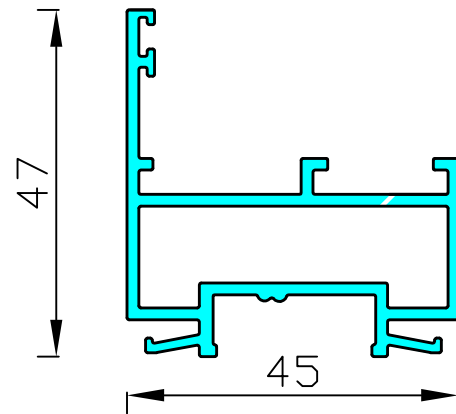


Sec. No.-9025



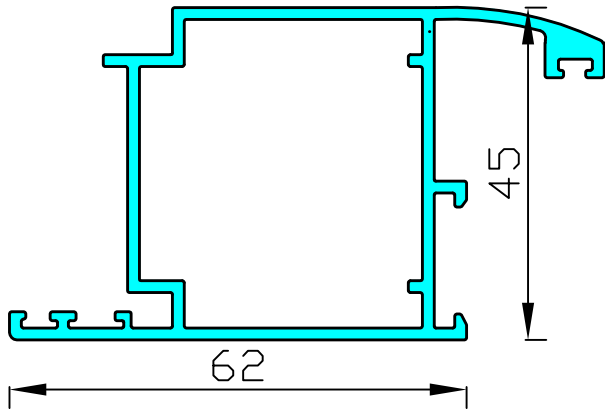
Wt: 3.60 Kgs./12'

Sec. No.-9026



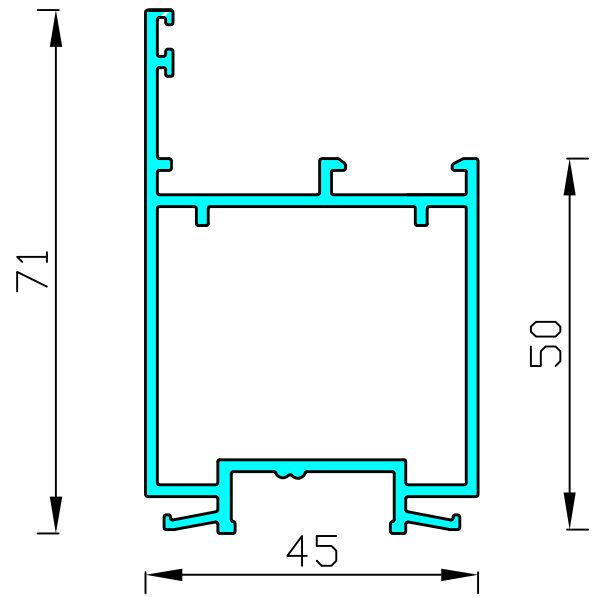
Wt: 3.150 Kgs./12'

Sec. No.-9024



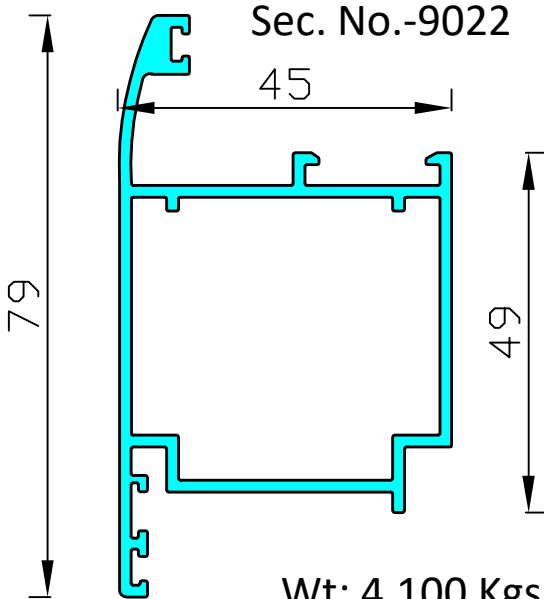
Wt: 4.00 Kgs./12'

Sec. No.-9023



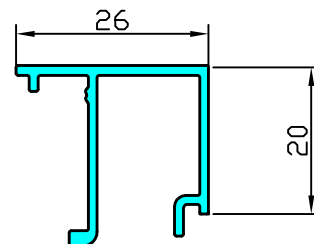
Wt: 3.850 Kgs./12'

Sec. No.-9022



Wt: 4.100 Kgs./12'

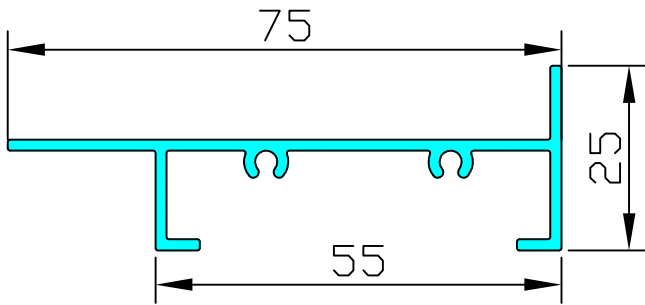
Sec. No.-9027



Wt: 1.050 Kgs./12'

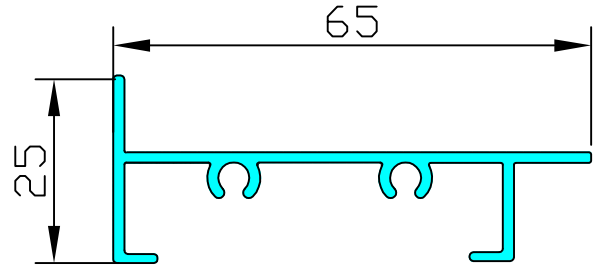


Sec. No.-9387



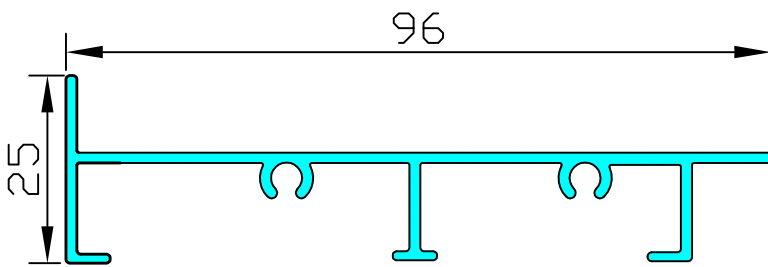
Wt: 2.40 Kgs./12'

Sec. No.-9034



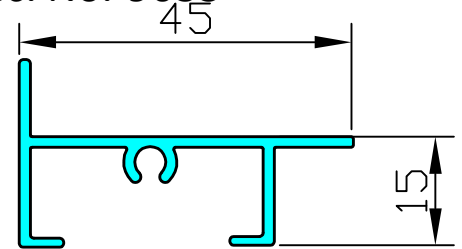
Wt: 2.10 Kgs./12'

Sec. No.-9035



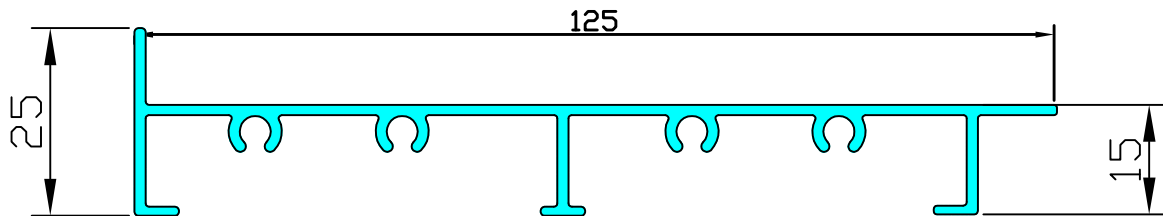
Wt: 2.850 Kgs./12'

Sec. No.-9033



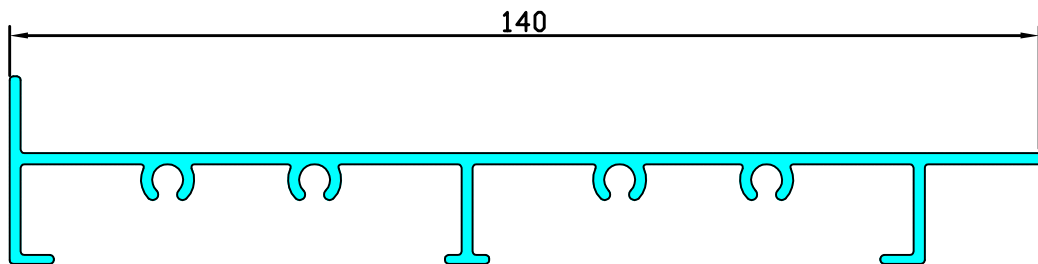
Wt: 1.850 Kgs./12'

Sec. No.-9036



Wt: 3.60 Kgs./12'

Sec. No.-9085

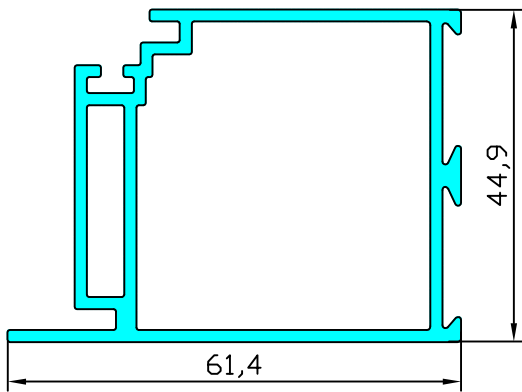


Wt: 3.800 Kgs./12'



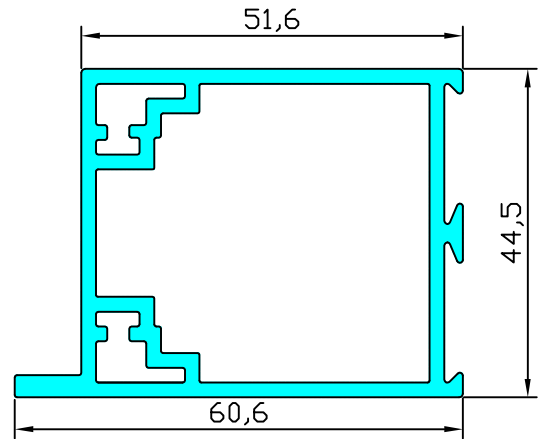


SEC.No.- 9021



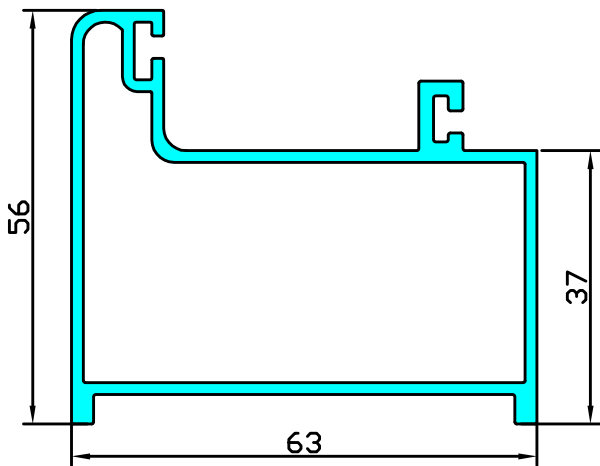
WEIGHT:- 3.950 kg/12'

SEC.No.- 9020



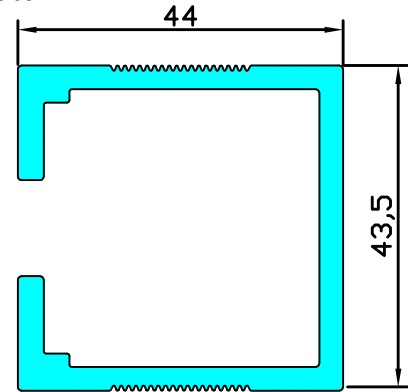
WEIGHT:- 3.950 kg/12'

SEC.No.- 9016



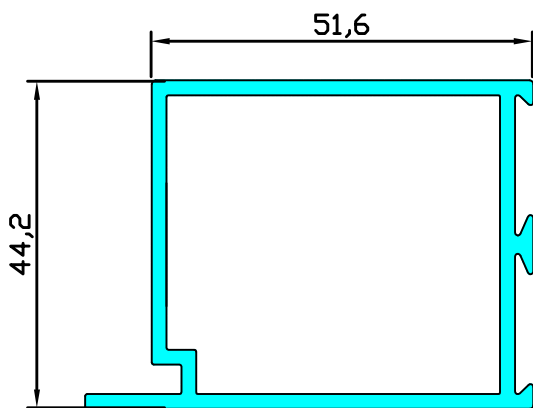
WEIGHT:- 6.00 kg/12'

SEC.No.- 8009



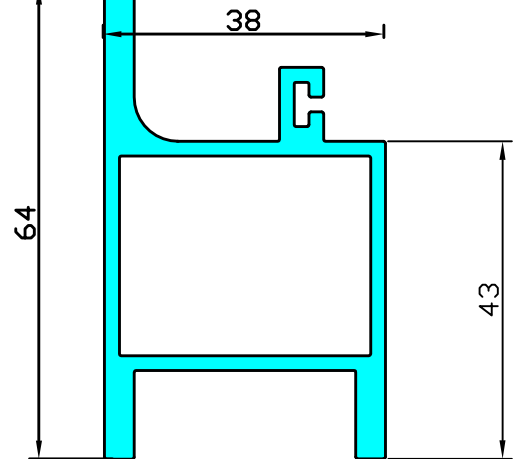
WEIGHT:- 4.800 kg/12'

SEC.No.- 9018



WEIGHT:- 3.80 kg/12'

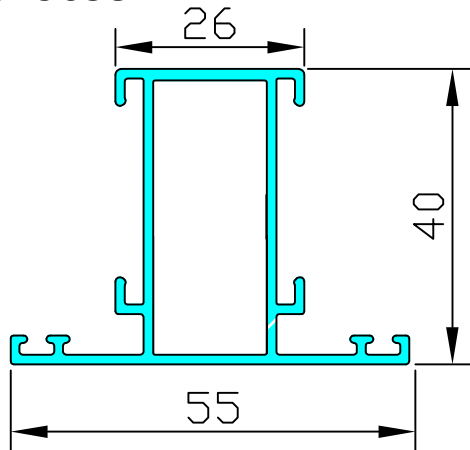
SEC.No.- 9017



WEIGHT:- 4.200 kg/12'

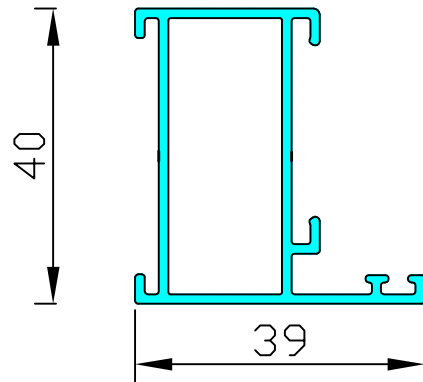


Sec. No.-9058



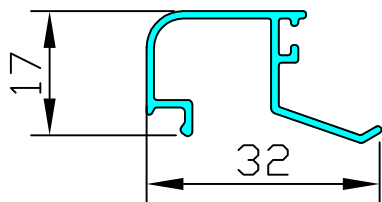
Wt: 2.80 Kgs./12'

Sec. No.-9056



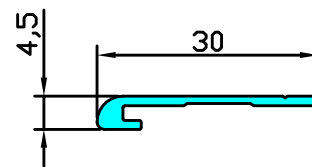
Wt: 2.20 Kgs./12'

Sec. No.-9057



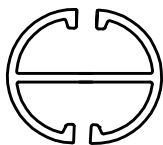
Wt: 0.80 Kgs./12'

Sec. No.-9073



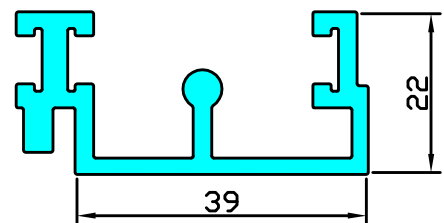
Wt: 0.500 Kgs./12'

Sec. No.-9050



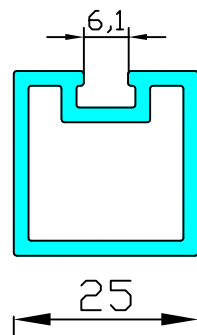
Wt: 1.050 Kgs./12'

Sec. No.-9084



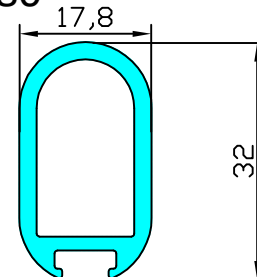
Wt: 3.45 Kgs./12'

Sec. No.-9179



Wt: 2.10 Kgs./12'

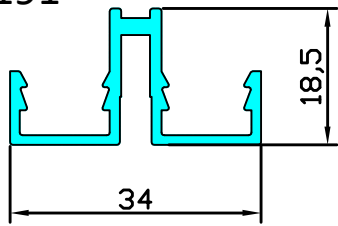
Sec. No.-9180



Wt: 1.90 Kgs./12'

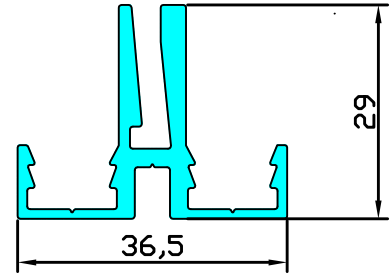


Sec. No.-9191



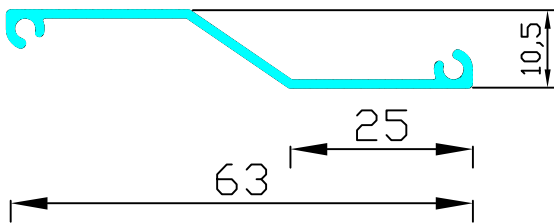
Wt: 1.30 Kgs./12'

Sec. No.-9190



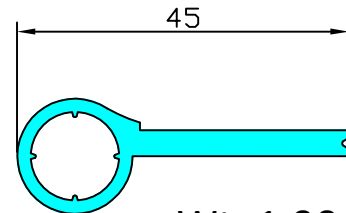
Wt: 2.30 Kgs./12'

Sec. No.-8014



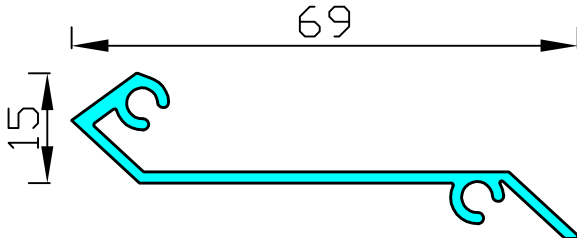
Wt: .900 Kgs./12'

Sec. No.-14048



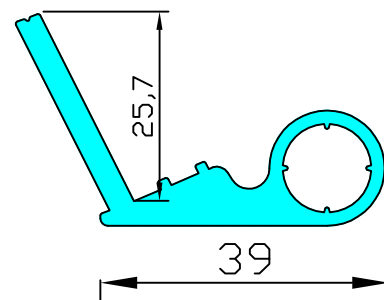
Wt: 1.90 Kgs./12'

Sec. No.-8875



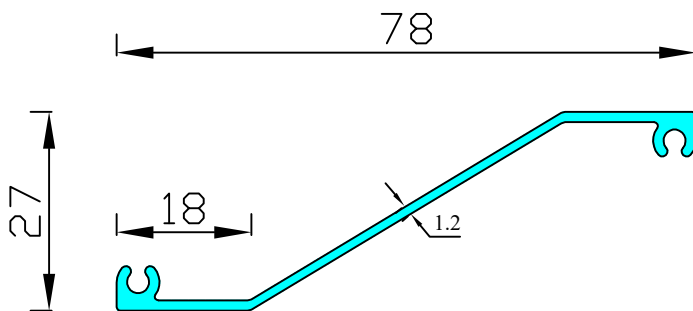
Wt: 1.850 Kgs./12'

Sec. No.-14047



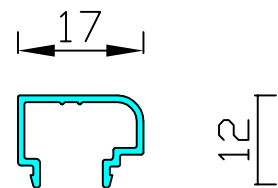
Wt: 3.00 Kgs./12'

Sec. No.-8880



Wt: 1.650 Kgs./12'

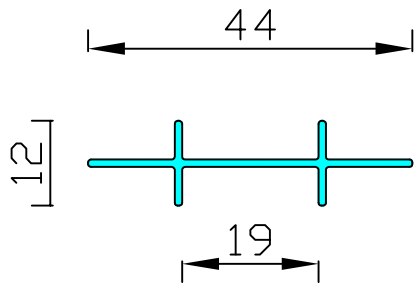
Sec. No.-9192



Wt: .450 Kgs./12'

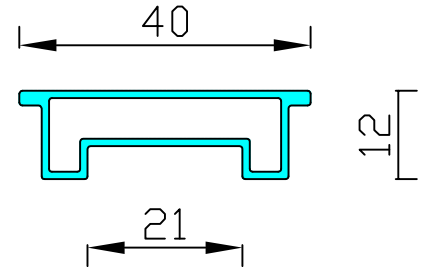


Sec. No.-9110



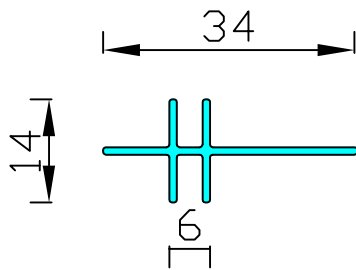
Wt: 0.650 Kgs./12'

Sec. No.-9155



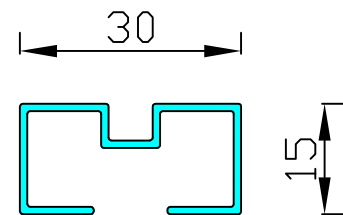
Wt: 1.10 Kgs./12'

Sec. No.-9100



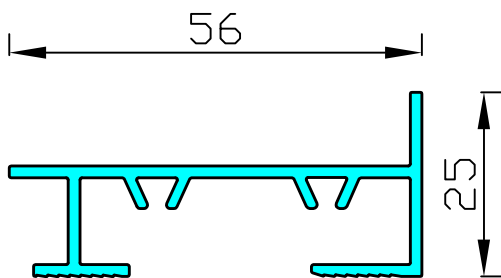
Wt: 0.60 Kgs./12'

Sec. No.-9099



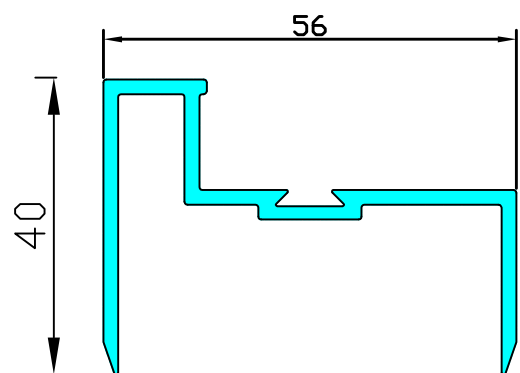
Wt: 0.90 Kgs./12'

Sec. No.-9063



Wt: 2.20 Kgs./12'

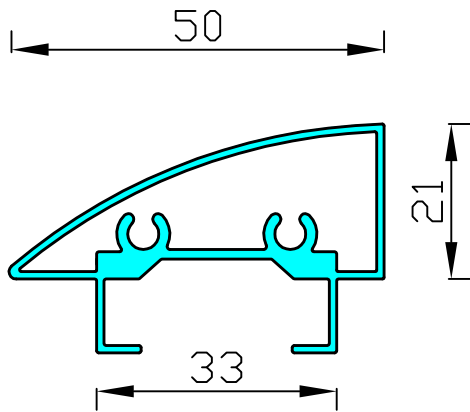
Sec. No.-9090



Wt: 2.70 Kgs./12'

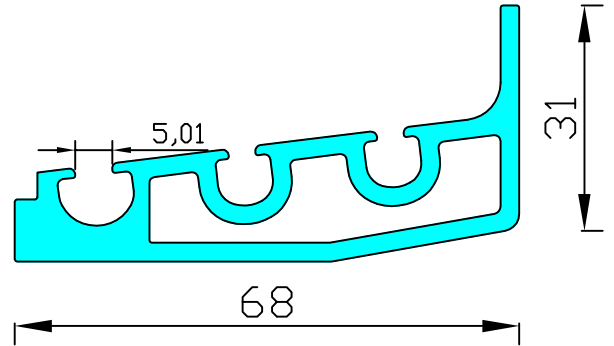


Sec. No.-9072



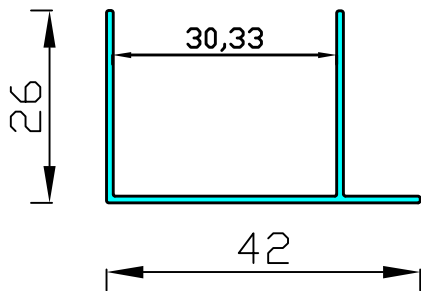
Wt: 2.40 Kgs./12'

Sec. No.-9105



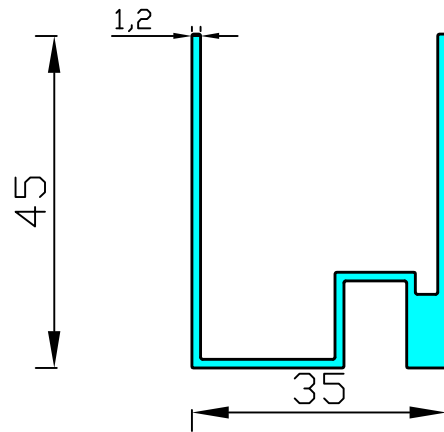
Wt: 5.50 Kgs./12'

Sec. No.-9070



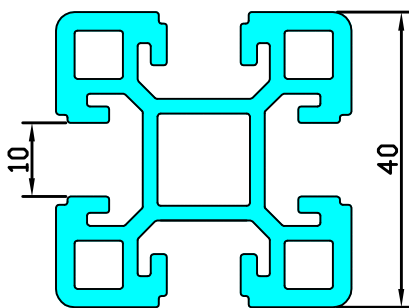
Wt: 0.650 Kgs./12'

Sec. No.-9071



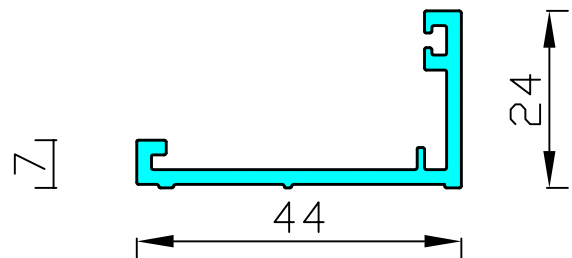
Wt: 1.950 Kgs./12'

Sec. No.-9153



Wt: 6.20 Kgs./12'

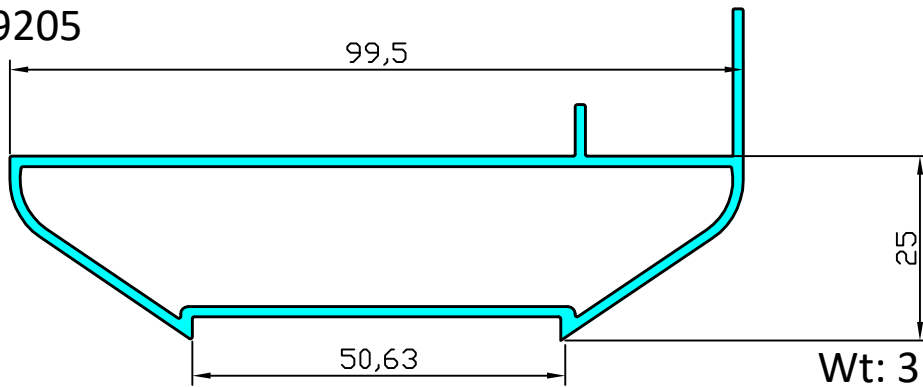
Sec. No.-9617



Wt: 1.65 Kgs./12'

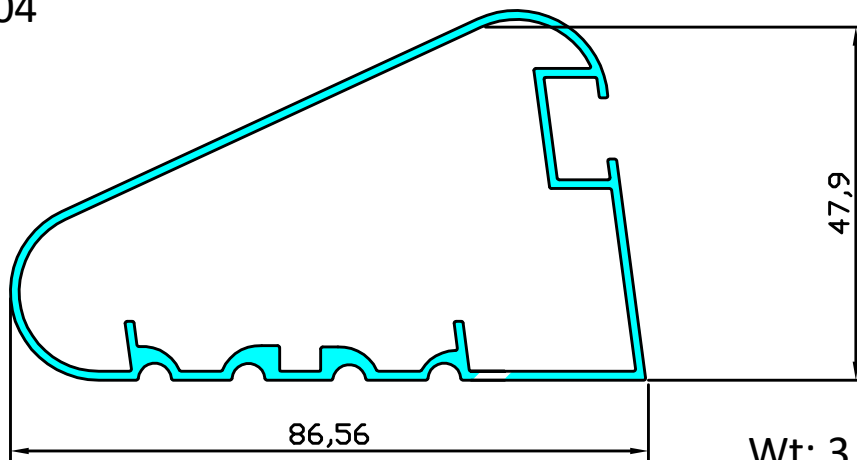


Sec. No.-9205



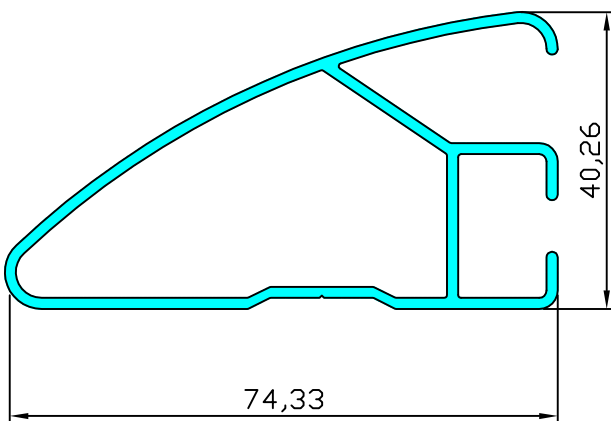
Wt: 3.50 Kgs./12'

Sec. No.-9204



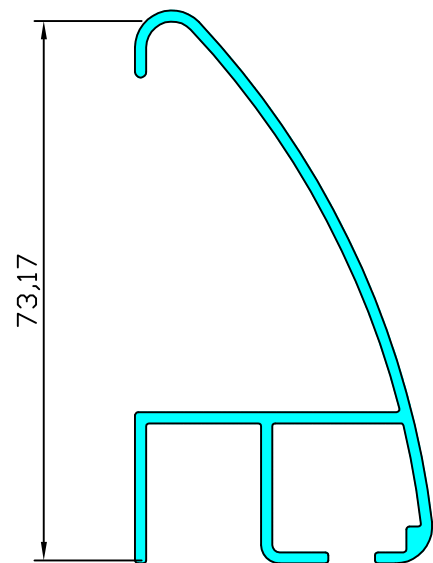
Wt: 3.40 Kgs./12'

Sec. No.-9217



Wt: 3.40 Kgs./12'

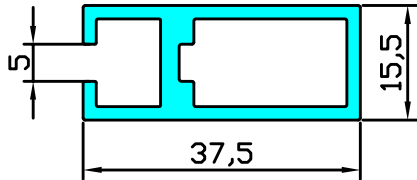
Sec. No.-9216



Wt: 2.750 Kgs./12'

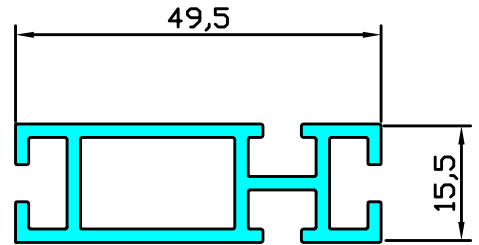


Sec. No.-8006



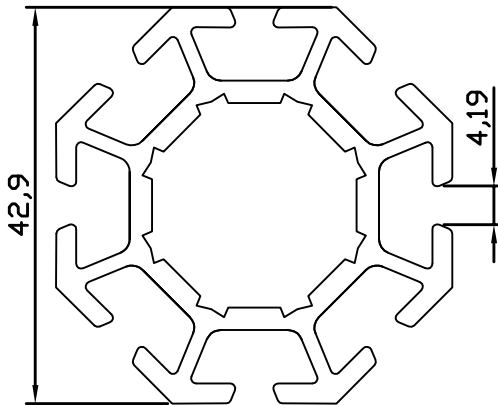
Wt: 2.10 Kgs./12'

Sec. No.-8007



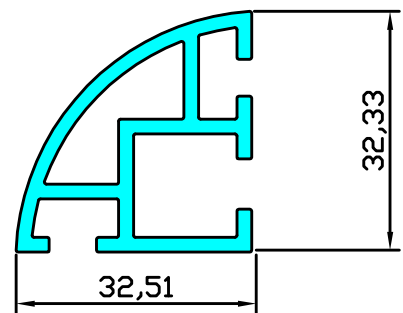
Wt: 2.40 Kgs./12'

Sec. No.-8008



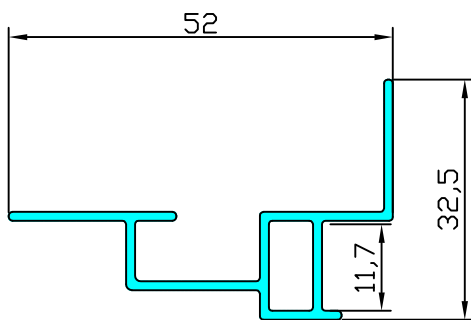
Wt: 4.20 Kgs./12'

Sec. No.-8009



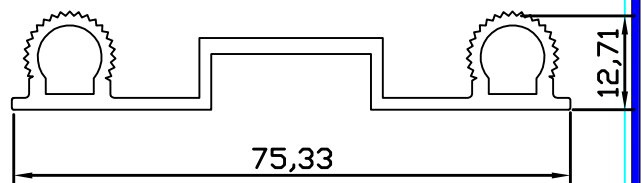
Wt: 1.40 Kgs./12'

Sec. No.-9059



Wt: 1.60 Kgs./12'

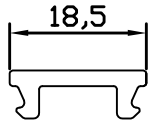
Sec. No.-9004



Wt: 2.40 Kgs./12'

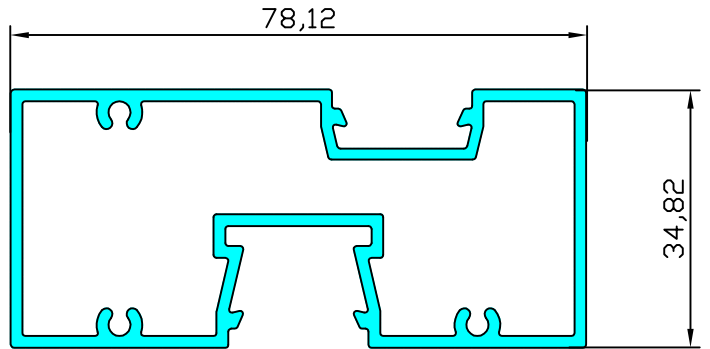


Sec. No.-9132



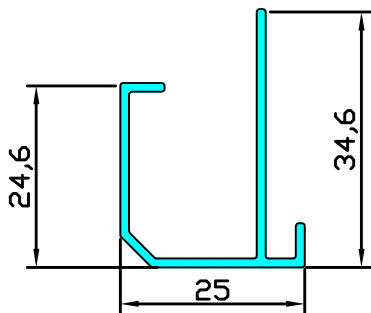
Wt: 0.60 Kgs./12'

Sec. No.-9134



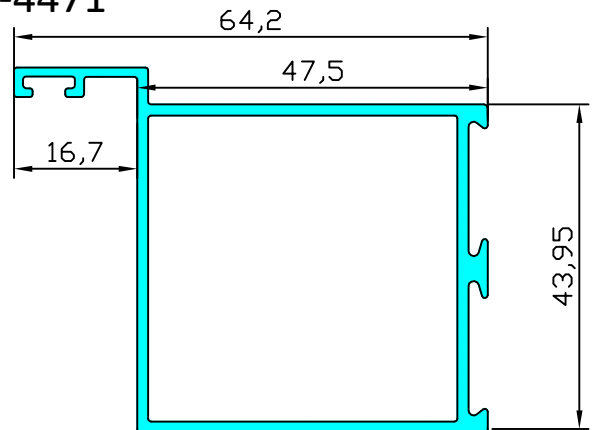
Wt: 4.80 Kgs./12'

Sec. No.-9123



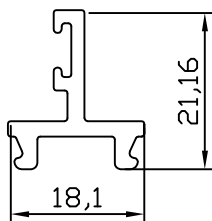
Wt: 1.10 Kgs./12'

Sec. No.-4471



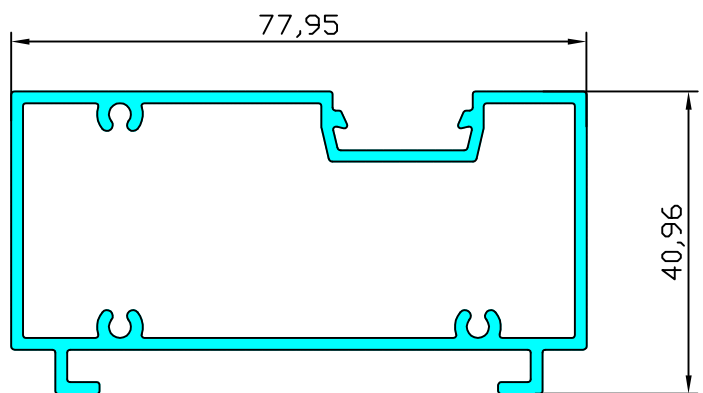
Wt: 4.10 Kgs./12'

Sec. No.-9121



Wt: 1.050 Kgs./12'

Sec. No.-9130



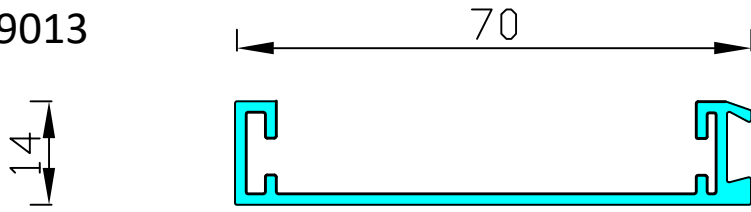
Wt: 4.450 Kgs./12'





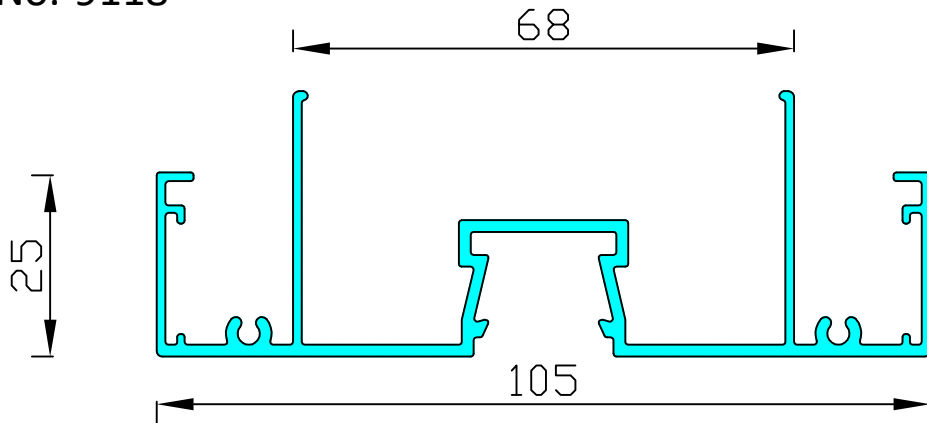
# BOMBAY ALUMINIUM PVT. LTD.

Sec. No.-9013



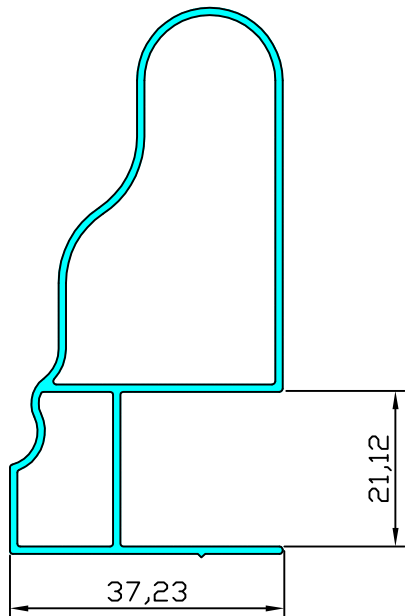
Wt: 1.80 Kgs./12'

Sec. No.-9118



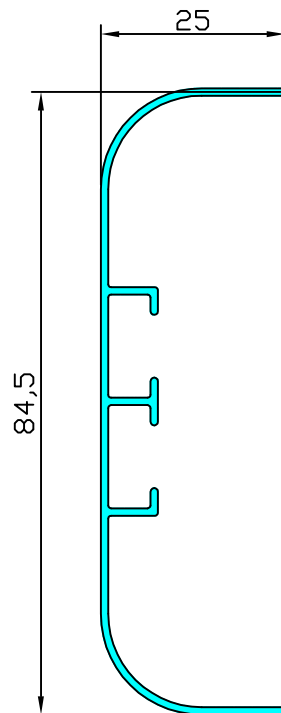
Wt: 4.20 Kgs./12'

Sec. No.-8015



Wt: 2.30 Kgs./12'

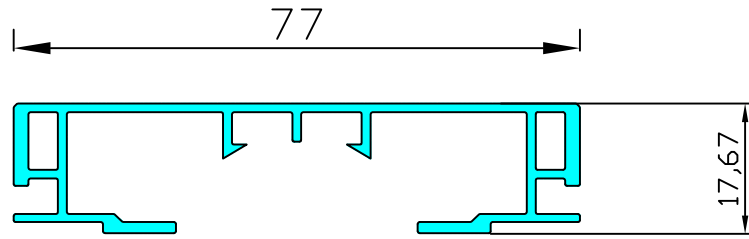
Sec. No.-8016



Wt: 1.60 Kgs./12'

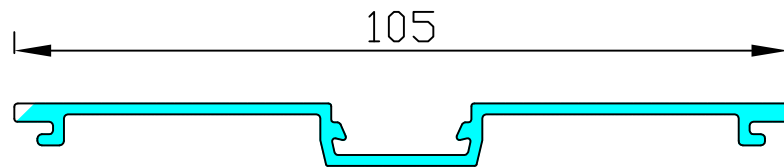


Sec. No.-9200



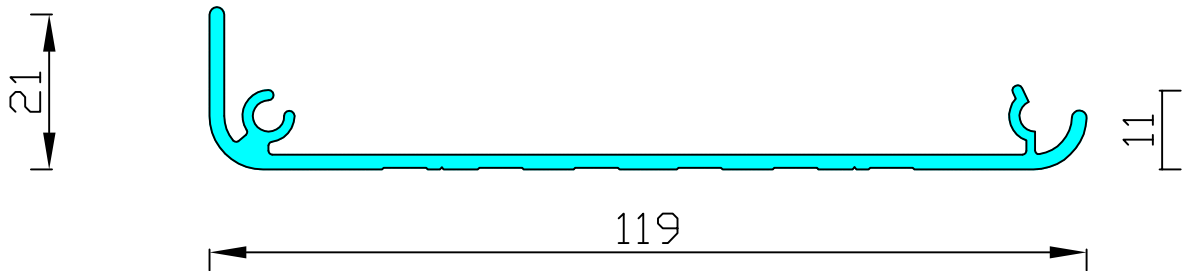
Wt: 2.550 Kgs./12'

Sec. No.-9122



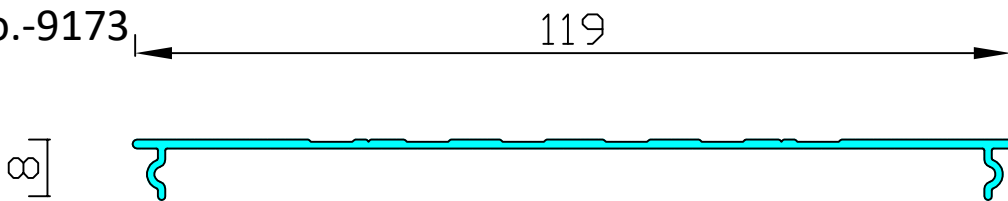
Wt: 2.150 Kgs./12'

Sec. No.-9171



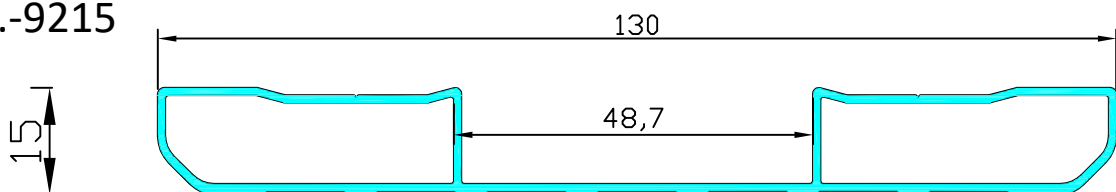
Wt: 3.150 Kgs./12'

Sec. No.-9173



Wt: 1.50 Kgs./12'

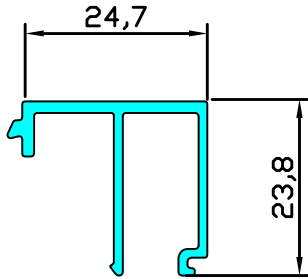
Sec. No.-9215



Wt: 2.750 Kgs./12'

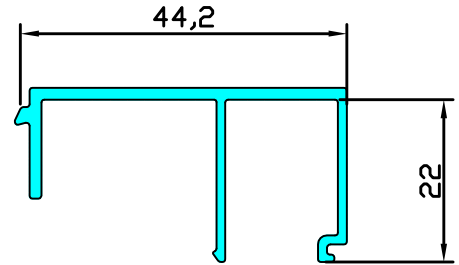


Sec. No.-9112



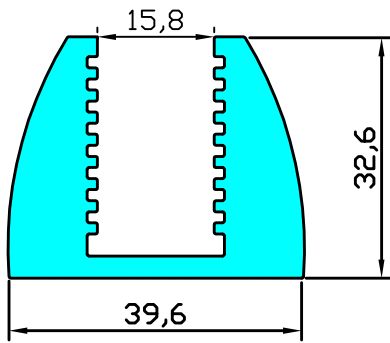
Wt: 1.10 Kgs./12'

Sec. No.-9115



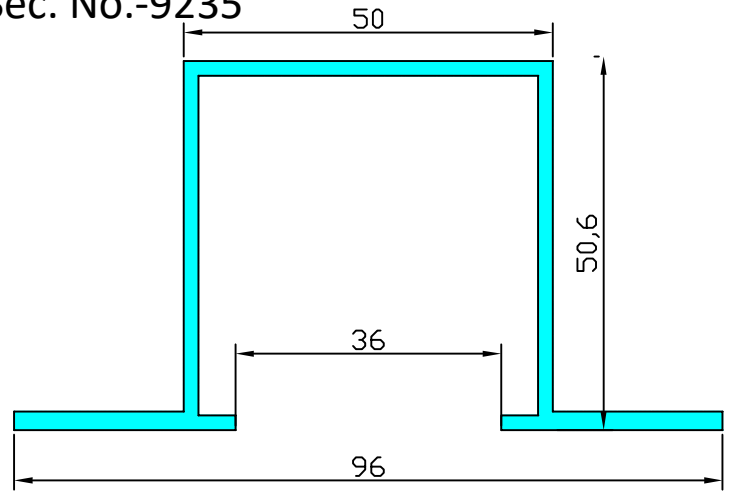
Wt: 1.40 Kgs./12'

Sec. No.-8011



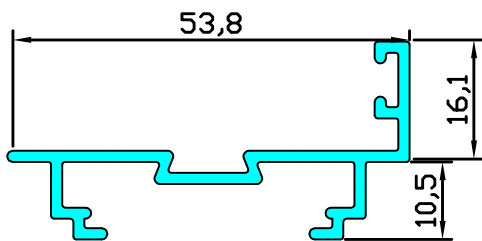
Wt: 5.00 Kgs./12'

Sec. No.-9235



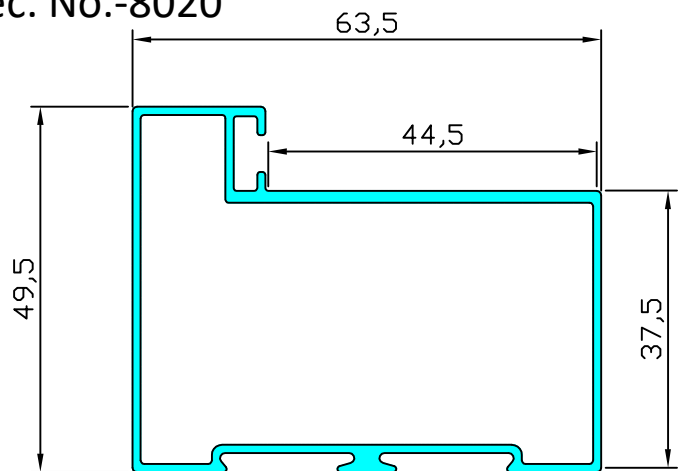
Wt: 4.30 Kgs./12'

Sec. No.-9123



Wt: 3.60 Kgs./12'

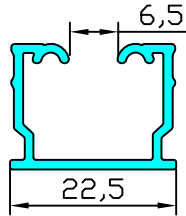
Sec. No.-8020



Wt: 4.30 Kgs./12'

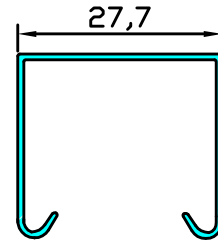


Sec. No.-9107



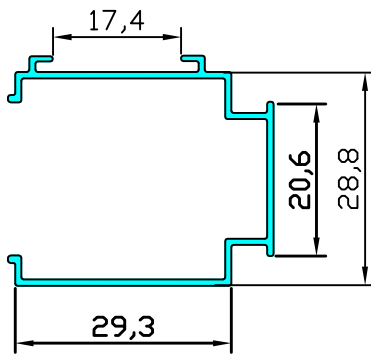
Wt: 0.850 Kgs./12'

Sec. No.-9045



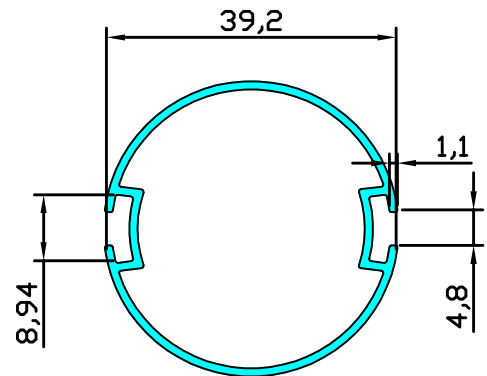
Wt: 0.70 Kgs./12'

Sec. No.-9051



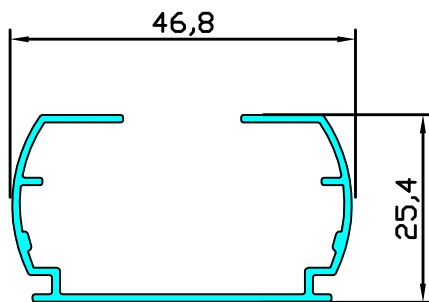
Wt: 1.050 Kgs./12'

Sec. No.-9047



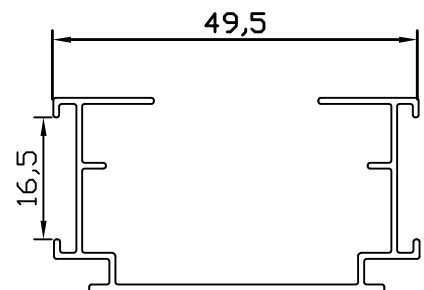
Wt: 1.60 Kgs./12'

Sec. No.-9109



Wt: 1.30 Kgs./12'

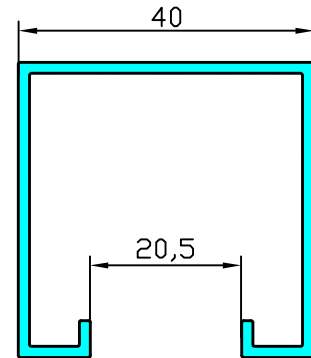
Sec. No.-9108



Wt: 1.20 Kgs./12'

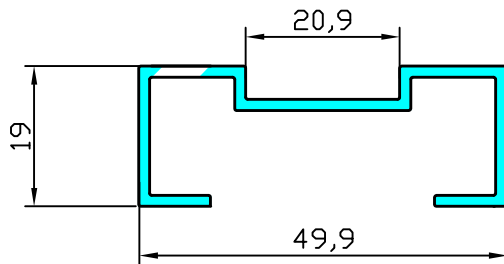


Sec. No.-9012



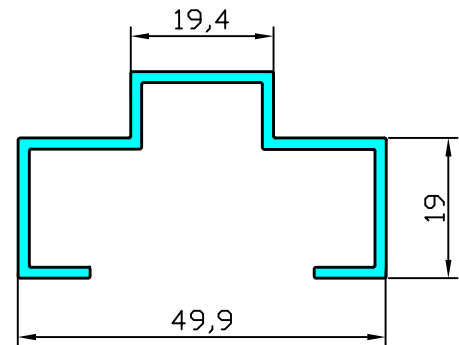
Wt: 2.20 Kgs./12'

Sec. No.-9008



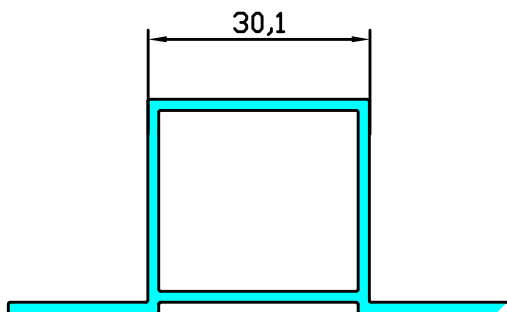
Wt: 1.60 Kgs./12'

Sec. No.-9009



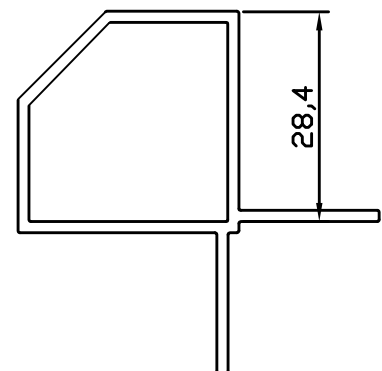
Wt: 1.650 Kgs./12'

Sec. No.-9053



Wt: 2.250 Kgs./12'

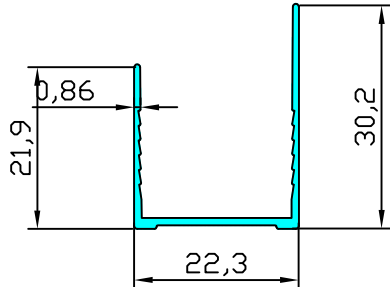
Sec. No.-9052



Wt: 2.150 Kgs./12'

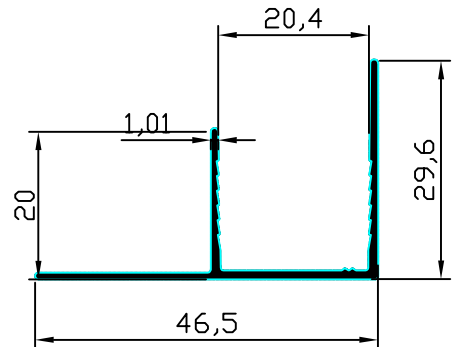


Sec. No.-9095



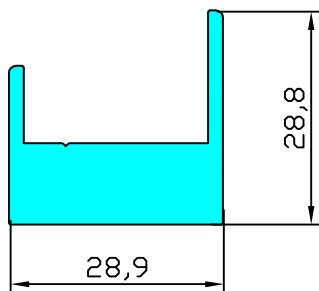
Wt: 0.65 Kgs./12'

Sec. No.-9097



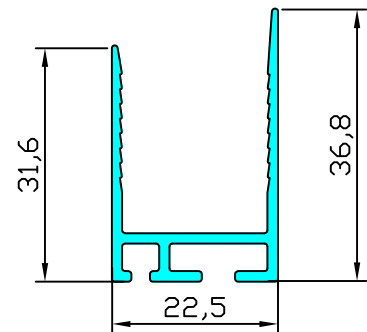
Wt: 1.050 Kgs./12'

Sec. No.-9106



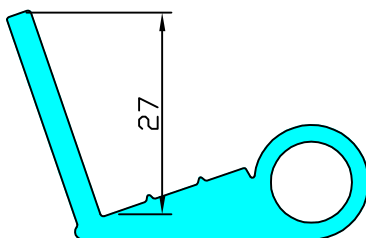
Wt: 3.20 Kgs./12'

Sec. No.-9096



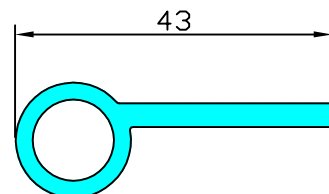
Wt: 1.40 Kgs./12'

Sec. No.-9177



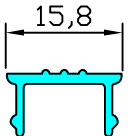
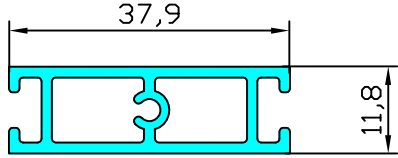
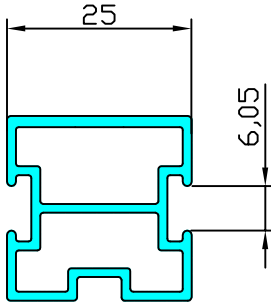
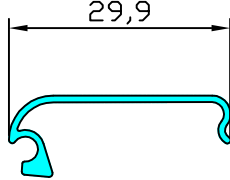
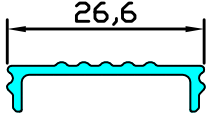
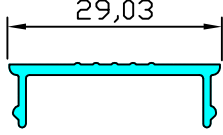
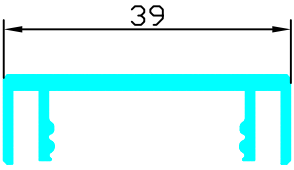
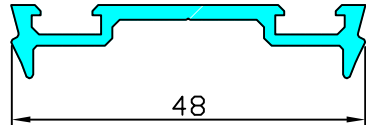
Wt: 3.80 Kgs./12'

Sec. No.-9178



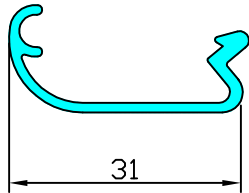
Wt: 3.40 Kgs./12'



<p>Sec. No.-9070</p>  <p>Wt: 0.40 Kgs./12'</p>	<p>Sec. No.-9172</p>  <p>Wt: 1.70 Kgs./12'</p>
<p>Sec. No.-9082</p>  <p>Wt: 1.70 Kgs./12'</p>	<p>Sec. No.-9222</p>  <p>Wt: 0.850 Kgs./12'</p>
<p>Sec. No.-9199</p>  <p>Wt: 0.50 Kgs./12'</p>	<p>Sec. No.-9169</p>  <p>Wt: 0.60 Kgs./12'</p>
<p>Sec. No.-9201</p>  <p>Wt: 1.30 Kgs./12'</p>	<p>Sec. No.-9210</p>  <p>Wt: 1.20 Kgs./12'</p>

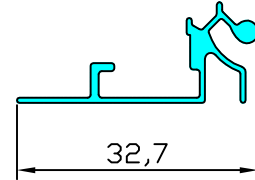


Sec. No.-9218



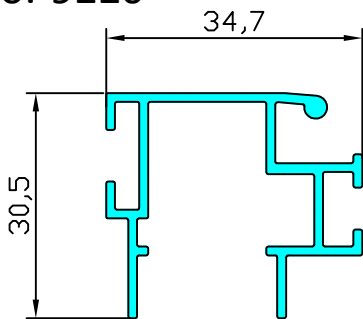
Wt: 0.850 Kgs./12'

Sec. No.-9219



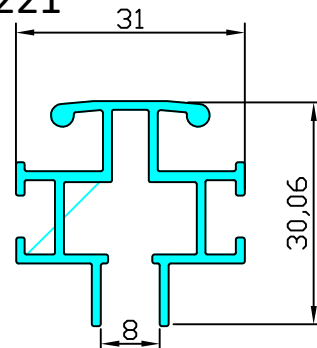
Wt: 0.650 Kgs./12'

Sec. No.-9220



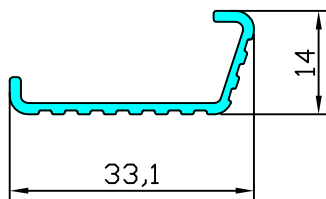
Wt: 1.60 Kgs./12'

Sec. No.-9221



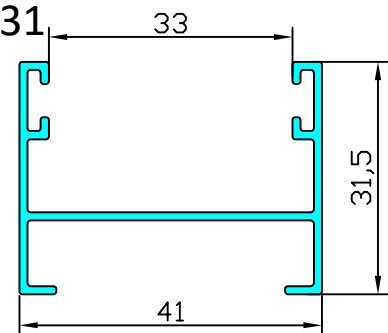
Wt: 1.850 Kgs./12'

Sec. No.-9223



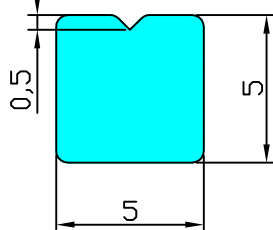
Wt: 0.850 Kgs./12'

Sec. No.-9231



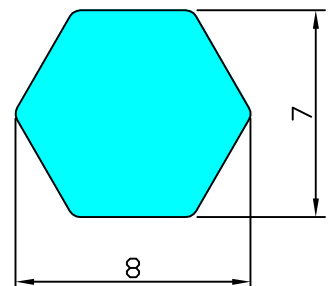
Wt: 1.950 Kgs./12'

Sec. No.-9228



Wt: 0.250 Kgs./12'

Sec. No.-9229

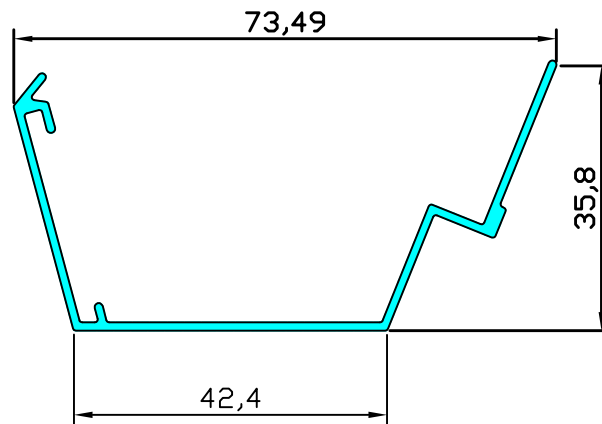


Wt: 0.420 Kgs./12'



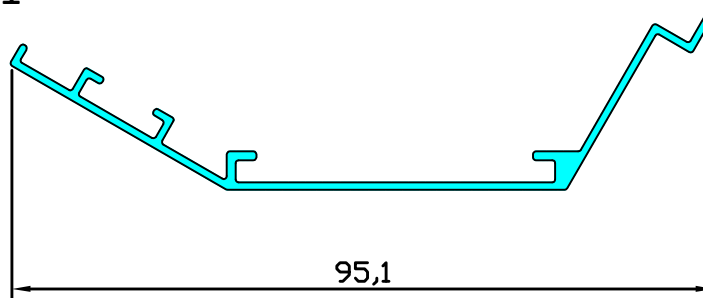


Sec. No.-9152



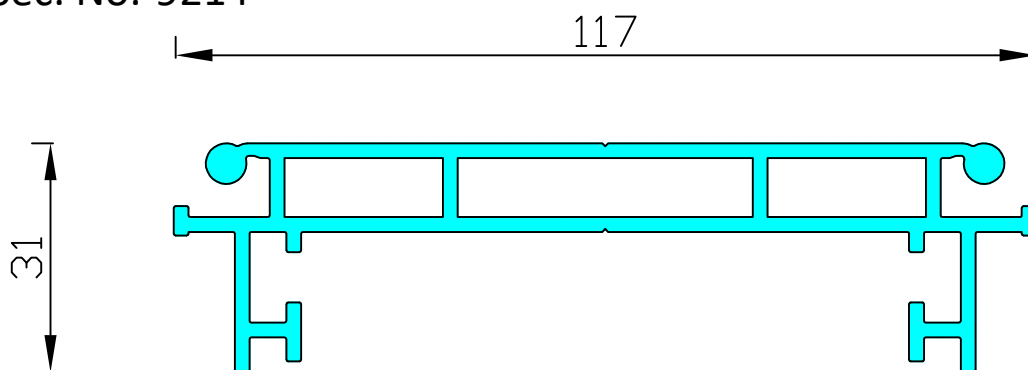
Wt: 1.550 Kgs./12'

Sec. No.-9151



Wt: 1.60 Kgs./12'

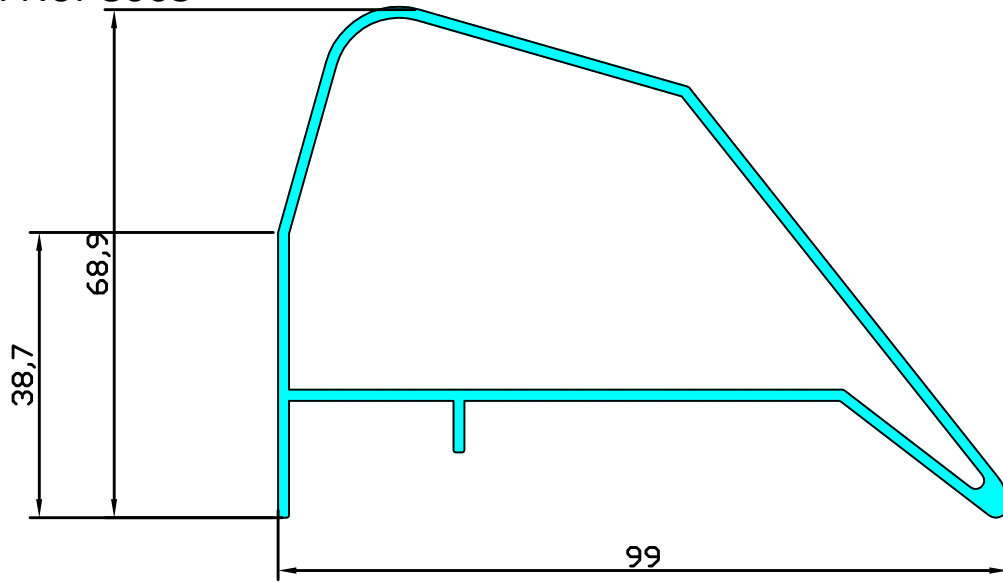
Sec. No.-9214



Wt: 6.80 Kgs./12'

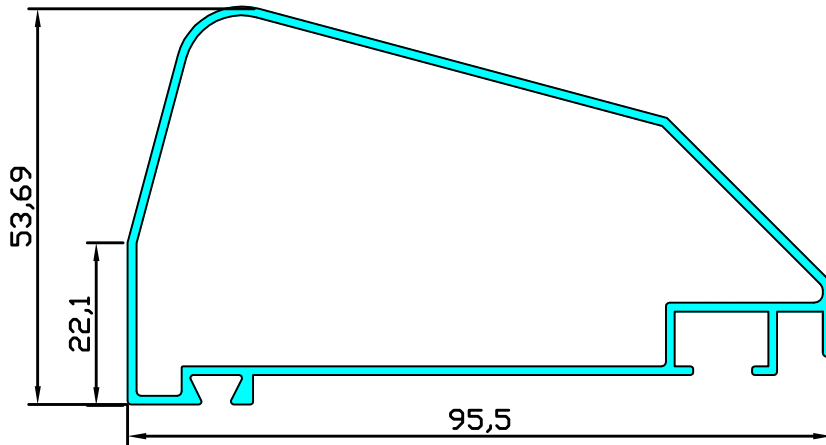


Sec. No.-8003



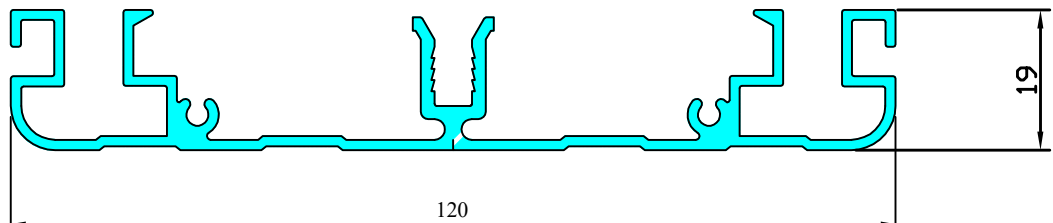
Wt: 4.40 Kgs./12'

Sec. No.-8004



Wt: 4.00 Kgs./12'

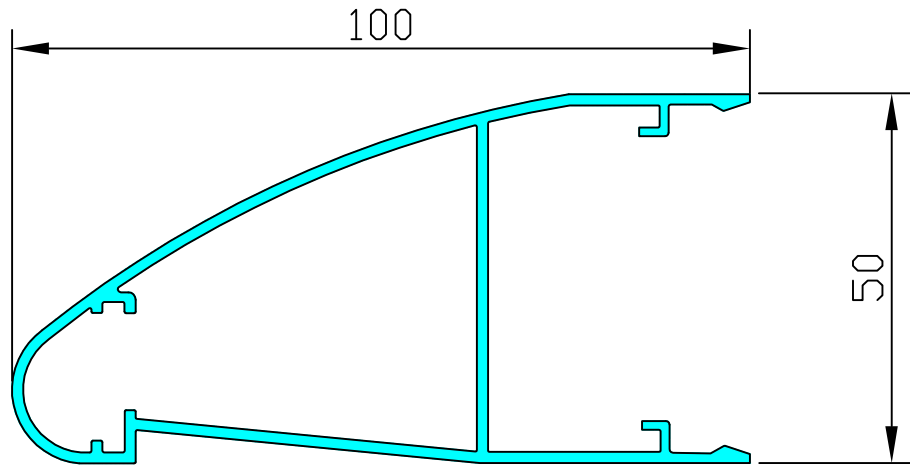
Sec. No.-8010



Wt: 4.20 Kgs./12'

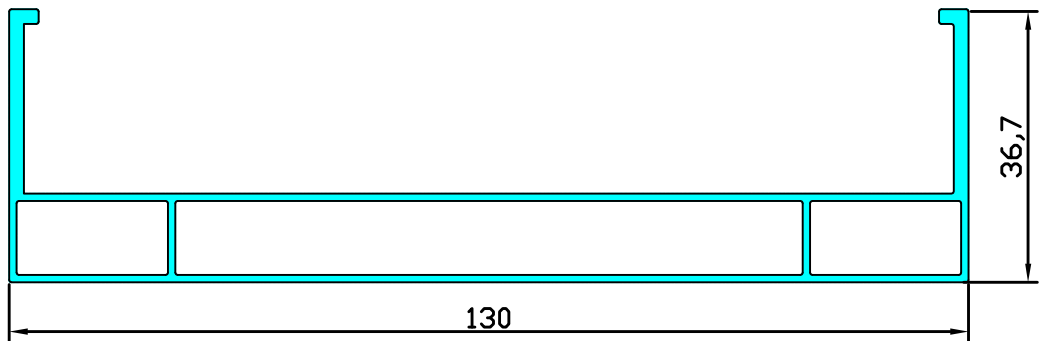


Sec. No.-9207



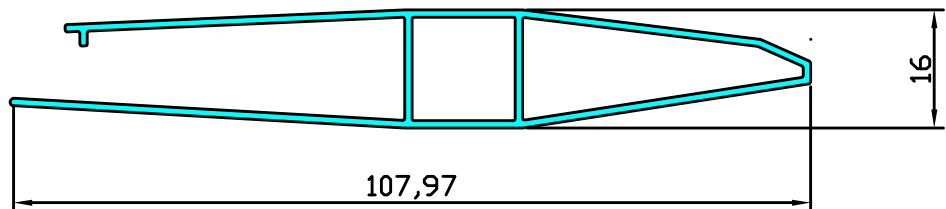
Wt: 4.40 Kgs./12'

Sec. No.-9043



Wt: 4.00 Kgs./12'

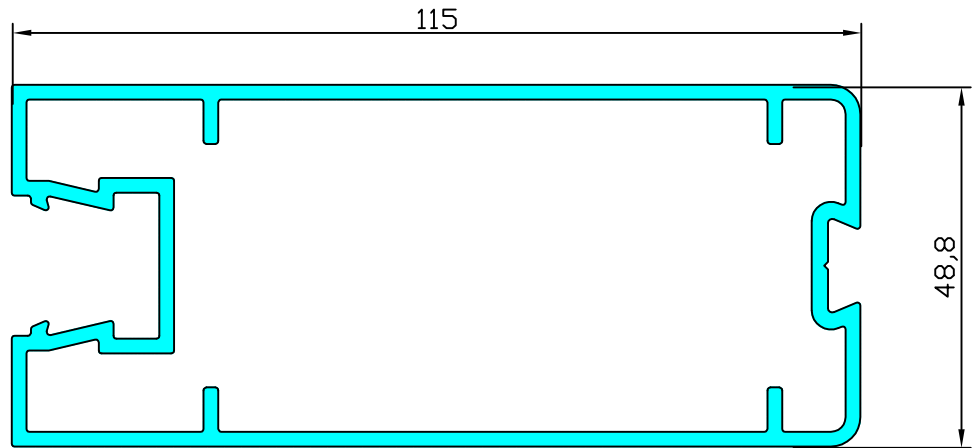
Sec. No.-9042



Wt: 2.40 Kgs./12'

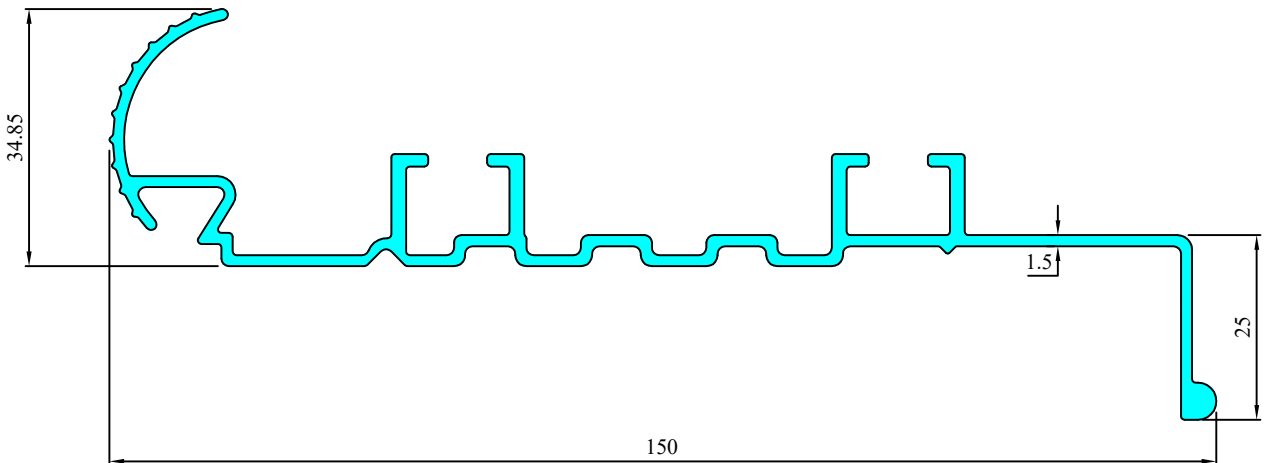


Sec. No.- 9135



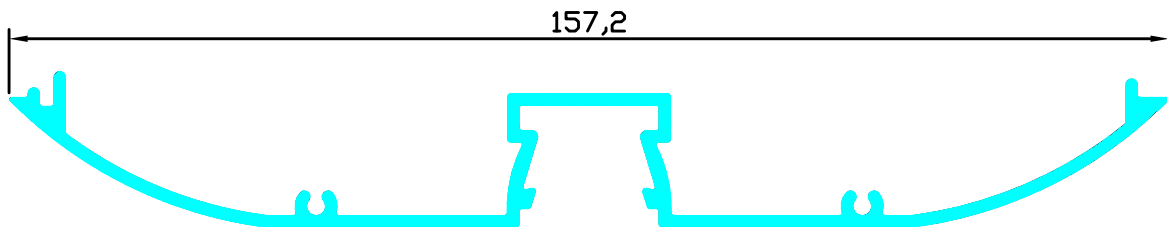
Weight: 8.00/12'

Sec. No.- 9136



Weight: 6.800/12'

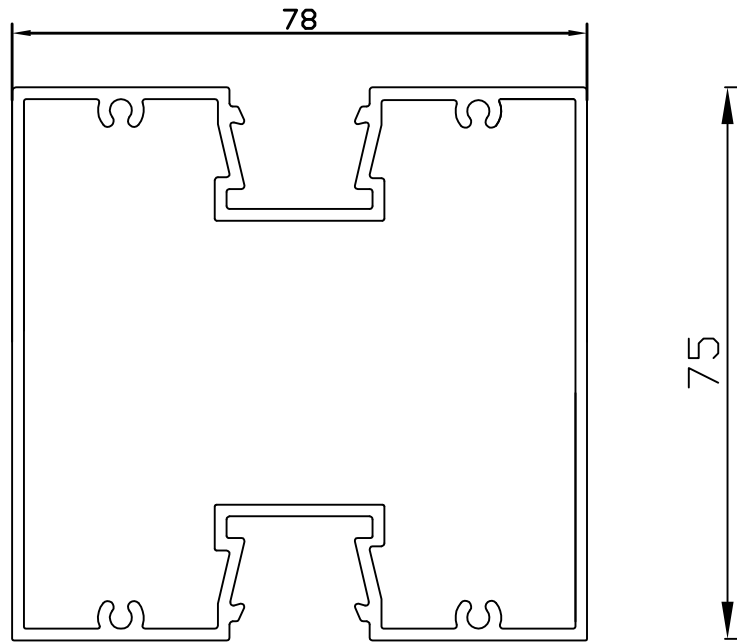
Sec. No.- 9120



Weight: 3.950 /12'

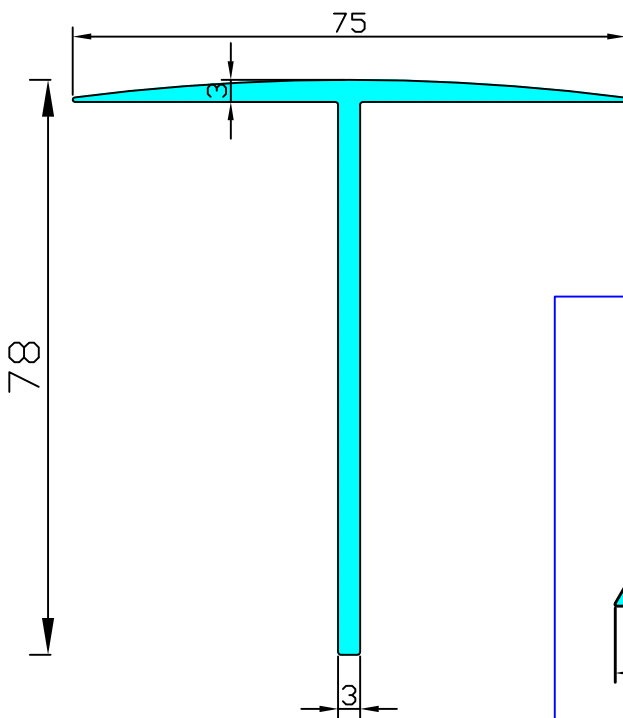


Sec. No.-9206



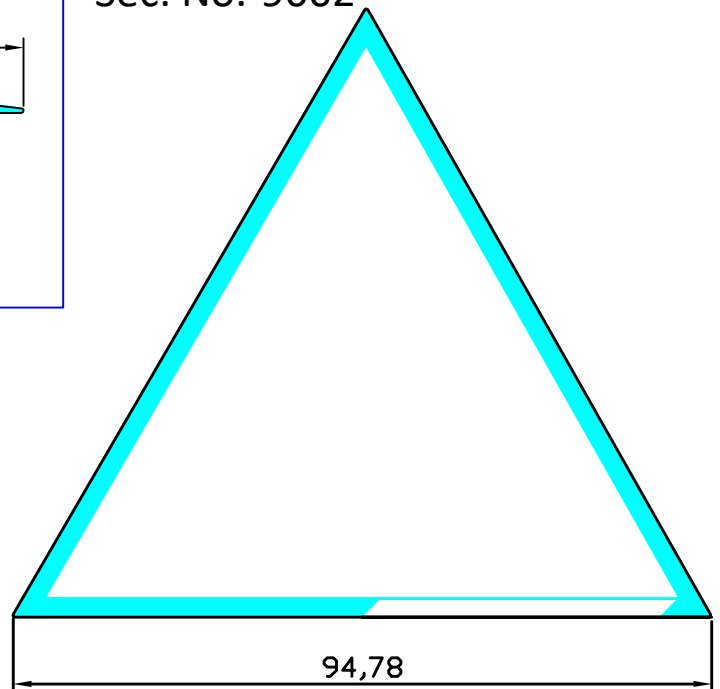
Wt: 6.60 Kgs./12'

Sec. No.-9230



Wt: 3.850 Kgs./12'

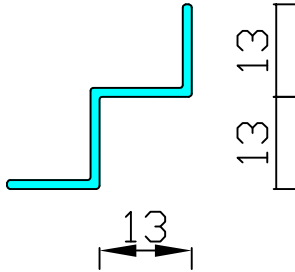
Sec. No.-9002



Wt: 5.50 Kgs./12'

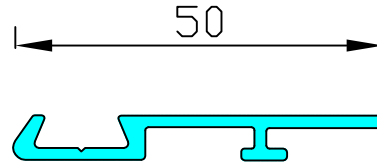


Sec. No.-9116



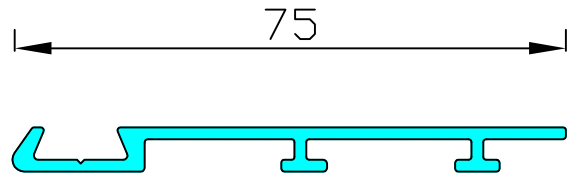
Wt: 0.550 Kgs./12'

Sec. No.-9117



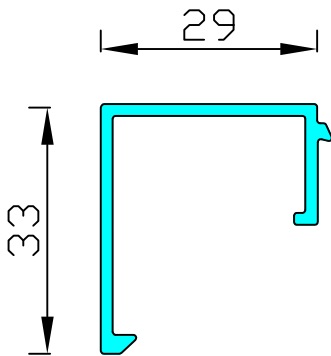
Wt: 0.90 Kgs./12'

Sec. No.-9133



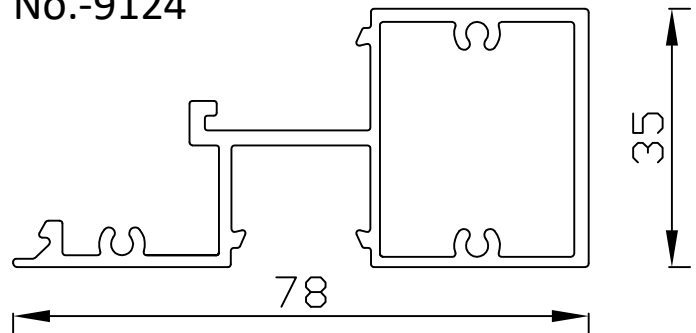
Wt: 1.70 Kgs./12'

Sec. No.-9125



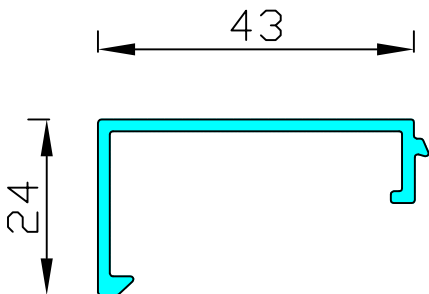
Wt: 1.40 Kgs./12'

Sec. No.-9124



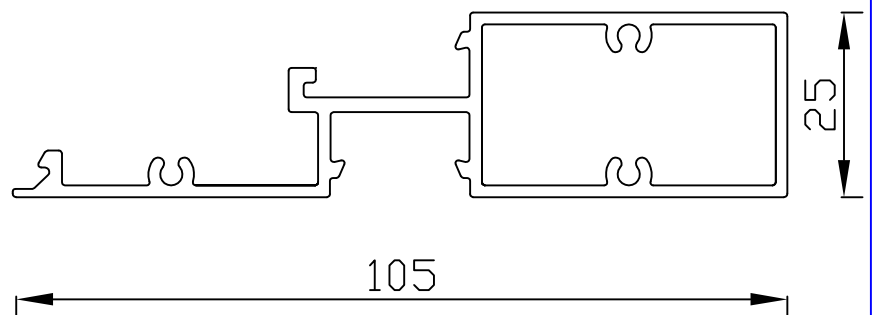
Wt: 3.90 Kgs./12'

Sec. No.-9128



Wt: 1.30 Kgs./12'

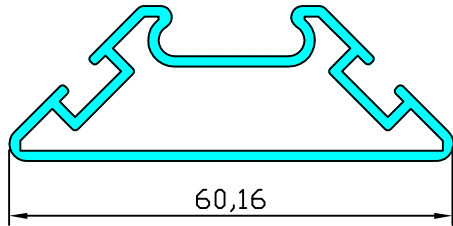
Sec. No.-9127



Wt: 4.20 Kgs./12'

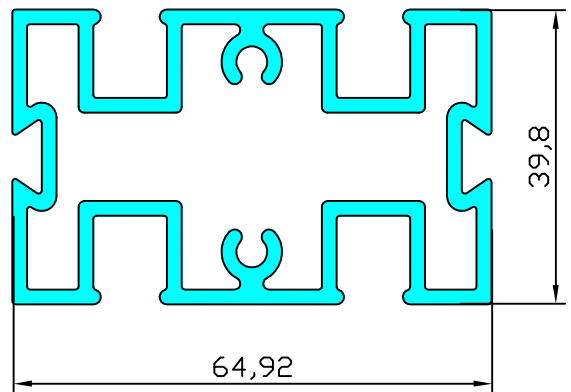


Sec. No.-9162



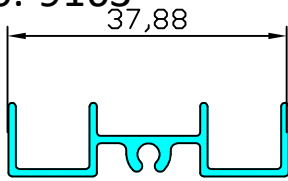
Wt: 2.450 Kgs./12'

Sec. No.-9089



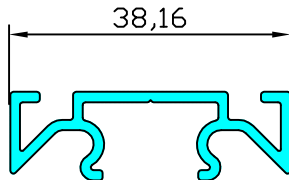
Wt: 7.20 Kgs./12'

Sec. No.-9163



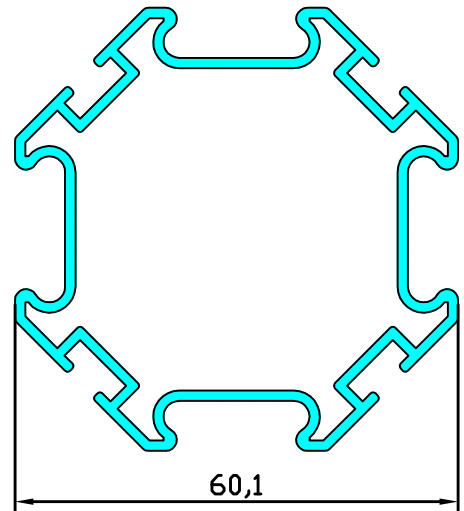
Wt: 0.90 Kgs./12'

Sec. No.-9165



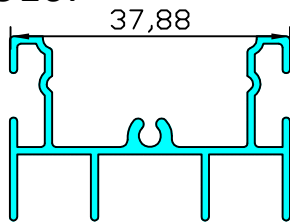
Wt: 1.30 Kgs./12'

Sec. No.-9161



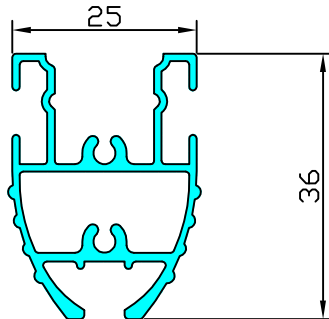
Wt: 3.60 Kgs./12'

Sec. No.-9167



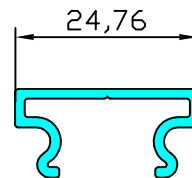
Wt: 1.40 Kgs./12'

Sec. No.-9168



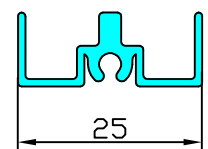
Wt: 1.90 Kgs./12'

Sec. No.-9166



Wt: 0.75 Kgs./12'

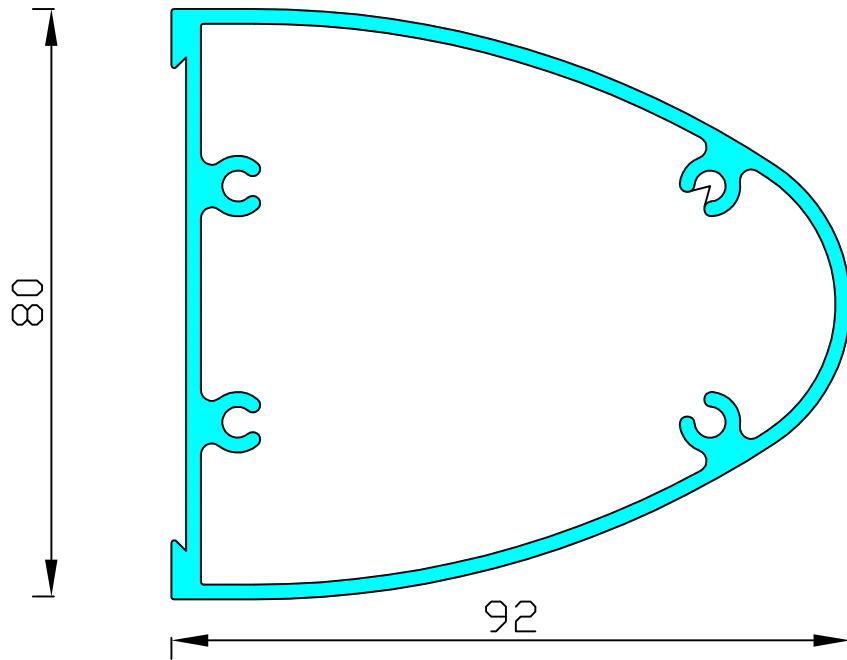
Sec. No.-9164



Wt: 0.80 Kgs./12'

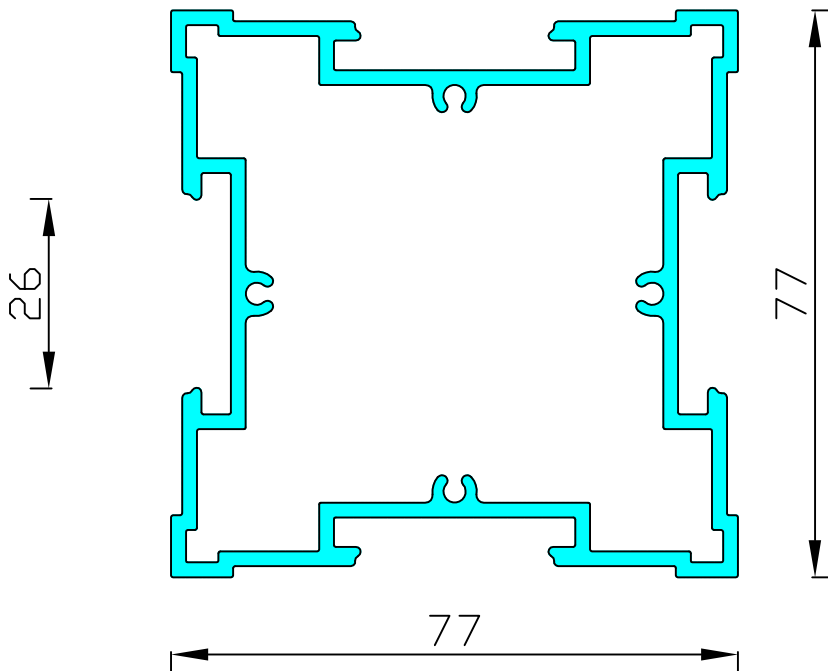


Sec. No.-9088



Wt: 7.50 Kgs./12'

Sec. No.-9198

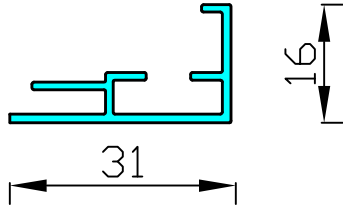


Wt: 5.40 Kgs./12'



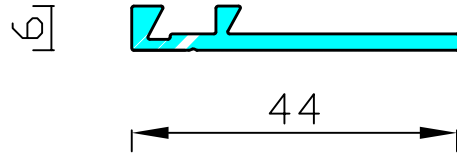


Sec. No.-9030



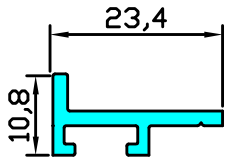
Wt: 1.050 Kgs./12'

Sec. No.-9005



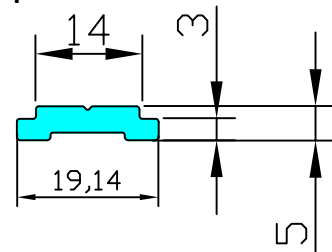
Wt: 1.250 Kgs./12'

Sec. No.-9007



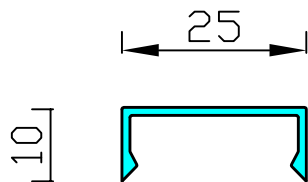
Wt: 0.750 Kgs./12'

Sec. No.-9154



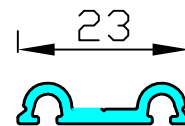
Wt: 0.70 Kgs./12'

Sec. No.-9212



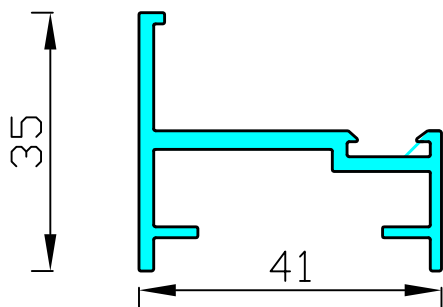
Wt: 0.70 Kgs./12'

Sec. No.-9211



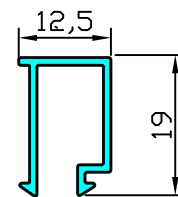
Wt: 0.70 Kgs./12'

Sec. No.-9060



Wt: 2.60 Kgs./12'

Sec. No.-9061

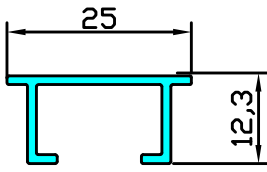


Wt: 0.650 Kgs./12'



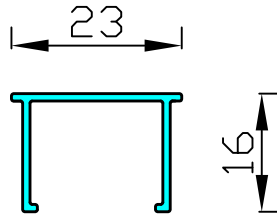
# BOMBAY ALUMINIUM PVT. LTD.

Sec. No.-9091



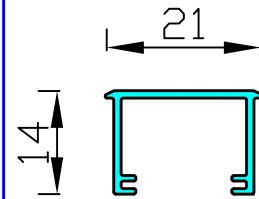
Wt: 0.65 Kgs./12'

Sec. No.-8022



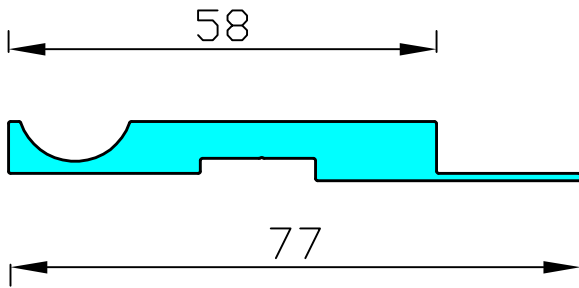
Wt: 0.550 Kgs./12'

Sec. No.-8023



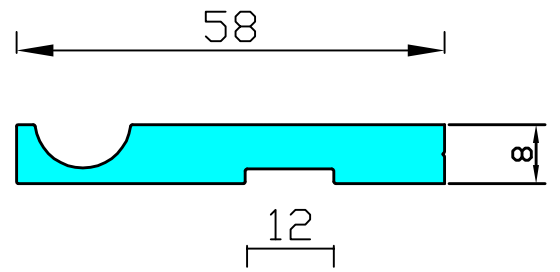
Wt: 0.65 Kgs./12'

Sec. No.-9092



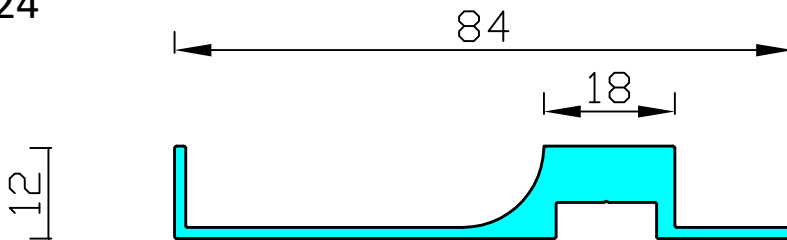
Wt: 3.50 Kgs./12'

Sec. No.-8021



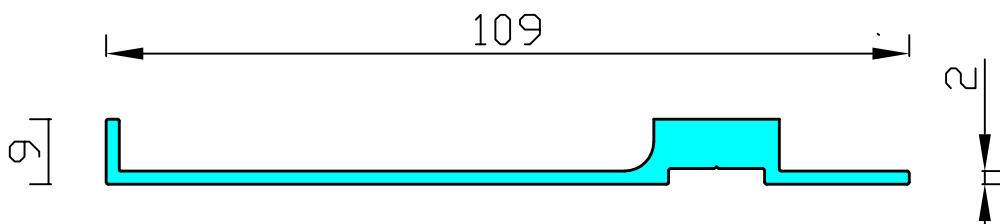
Wt: 3.80 Kgs./12'

Sec. No.-8024



Wt: 2.450 Kgs./12'

Sec. No.-9093

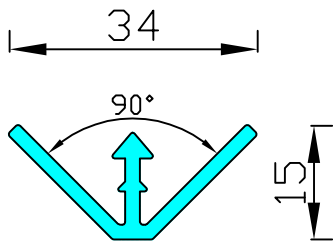


Wt: 3.00 Kgs./12'



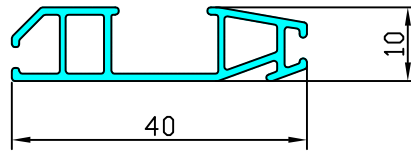
# BOMBAY ALUMINIUM PVT. LTD.

Sec. No.-9236



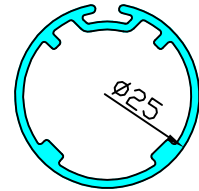
Wt: 1.20 Kgs./12'

Sec. No.-9238



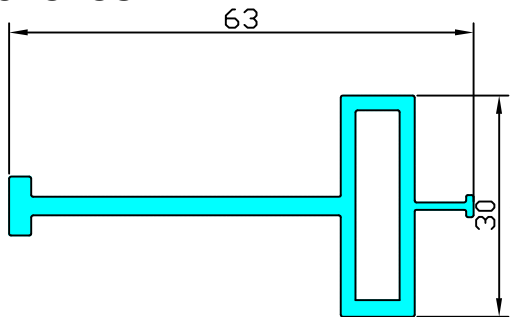
Wt: 1.050 Kgs./12'

Sec. No.-9237



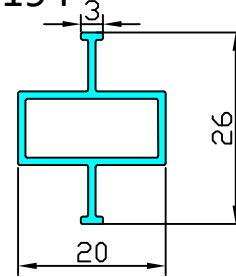
Wt: 1.050 Kgs./12'

Sec. No.-9195



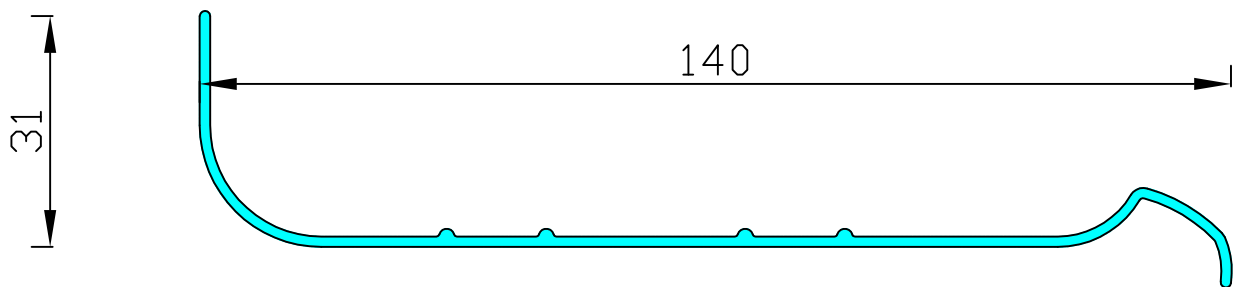
Wt: 2.80 Kgs./12'

Sec. No.-9194



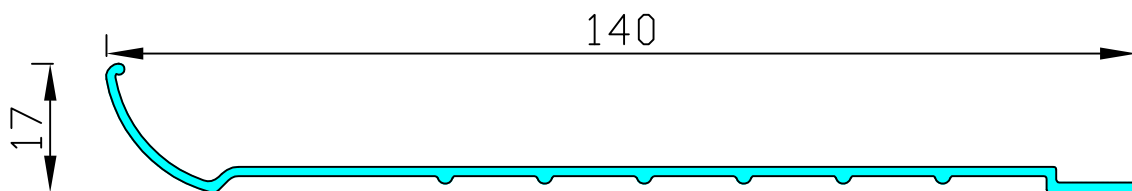
Wt: 0.750 Kgs./12'

Sec. No.-9239



Wt: 2.50 Kgs./12'

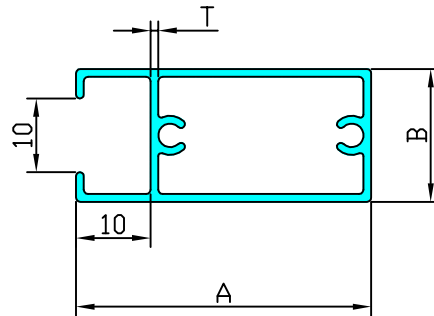
Sec. No.-9240



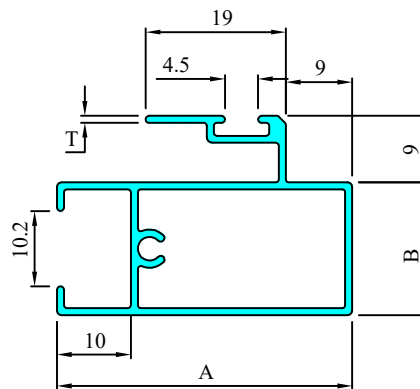
Wt: 2.150 Kgs./12'



# BOMBAY ALUMINIUM PVT. LTD.



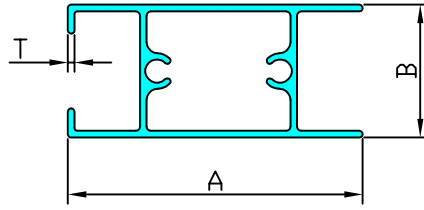
SEC.No.	A	B	T	Wt.(kg/Mtr.)	Wt.(kg/12')
7201	40.00	18.00		0	2.100-2.200
7202	40.00	18.00		0	1.650-1.700
7203	40.00	18.00		0	1.450-1.550
7204	40.00	18.00		0	1.150-1.250
7205	40.00	18.00		0	1.000-1.100



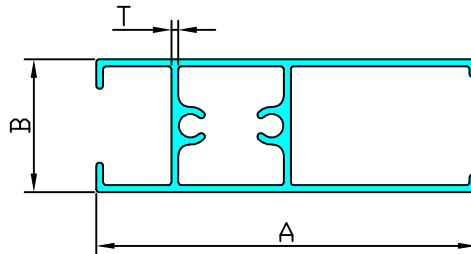
SEC.No.	A	B	T	Wt.(kg/Mtr.)	Wt.(kg/12')
7211	40.00	18.00	0.79	0	1.300-1.400
7212	40.00	18.00	0.95	0	1.350- 1.450
7213	40.00	18.00	1.11	0	1.650-1.750
7214	40.00	18.00	1.30	0.464	1.900-2.000
7215	40.00	18.00	1.50	0.546	2.200-2.300



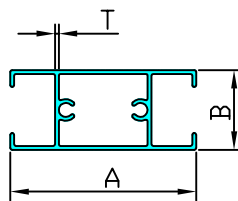
# BOMBAY ALUMINIUM PVT. LTD.



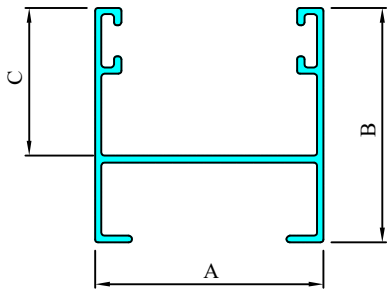
SEC.No.	A	B	T	Wt.(kg/Mtr.)	Wt.(kg/12')
7221	40.00	18.00	0.73	0.273	1.000-1.200
7222	40.00	18.00	0.93	0.328	1.200-1.400
7223	40.00	18.00	1.12	0.382	1.400-1.600
7224	40.00	18.00	1.30	0.437	1.600-1.750
7225	40.00	18.00	1.5	0.491	1.800-1.950



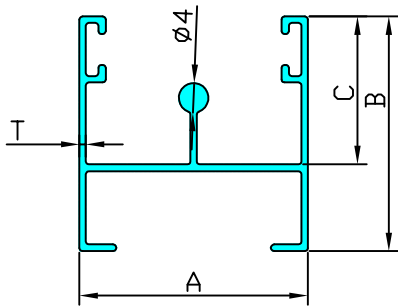
SEC.No.	A	B	T	Wt.(kg/Mtr.)	Wt.(kg/12')
7231	52.00	18.00	0.80	0.355	1.300-1.400
7232	52.00	18.00	0.90	0.382	1.400-1.600
7233	52.00	18.00	1.40	0.490	1.800-2.000



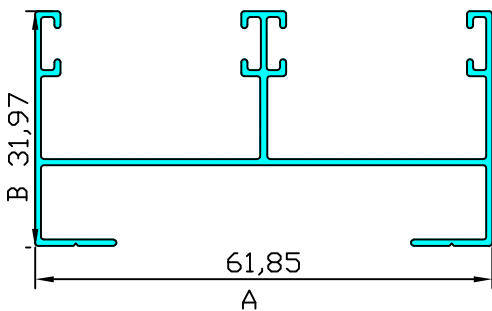
SEC.No.	A	B	T	Wt.(kg/Mtr.)	Wt.(kg/12')
7241	42.00	18.00			1.950-2.050
7242	42.00	18.00			1.400-1.500



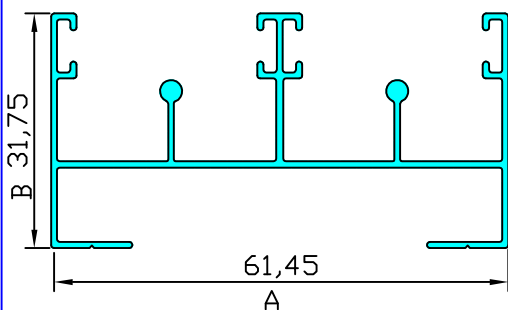
SL. NO.	SEC.No.	A	B	C	T	Wt.(kg/Mtr.)	Wt.(kg/12')
1	7101	30.90	31.75	20.00	0.90	0.273	1.000-1.100
2	7102	38.60	25.40	19.50	1.38	0.410	1.500-1.600
3	7103	41.00	31.50	20.40	1.35	0.464	1.700-1.900



SL. NO.	SEC.No.	A	B	C	T	Wt.(kg/Mtr.)	Wt.(kg/12')
1	7111	30.90	31.75	20.00	0.95	0.328	1.200-1.300
2	7112	38.60	25.40	19.50	1.38	0.464	1.700-1.900
3	7113	41.00	31.50	20.40	1.35	0.520	1.900-2.100



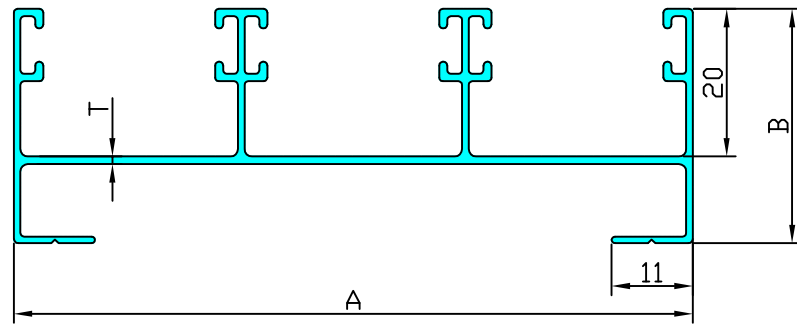
SL. NO.	SEC.No.	A	B	T	Wt.(kg/Mtr.)	Wt.(kg/12')
1	7121	61.85	31.75	0.70	0.330	1.200-1.400
2	7122	61.85	31.75	0.87	0.437	1.600-1.800
3	7123	61.85	31.75	1.00	0.490	1.800-2.200
4	7124	61.85	31.75	1.30	0.740	2.700-3.000



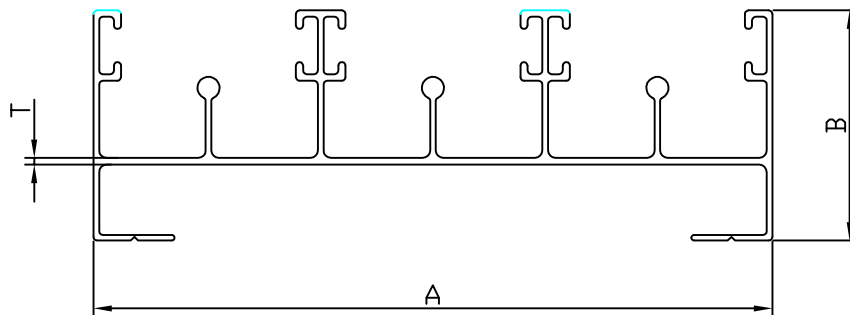
SL. NO.	SEC.No.	A	B	T	Wt.(kg/Mtr.)	Wt.(kg/12')
1	7131	61.85	31.75	1.00	0.492	1.800-2.200
2	7132	61.85	31.75	1.30	0.740	2.700-3.100



# BOMBAY ALUMINIUM PVT. LTD.



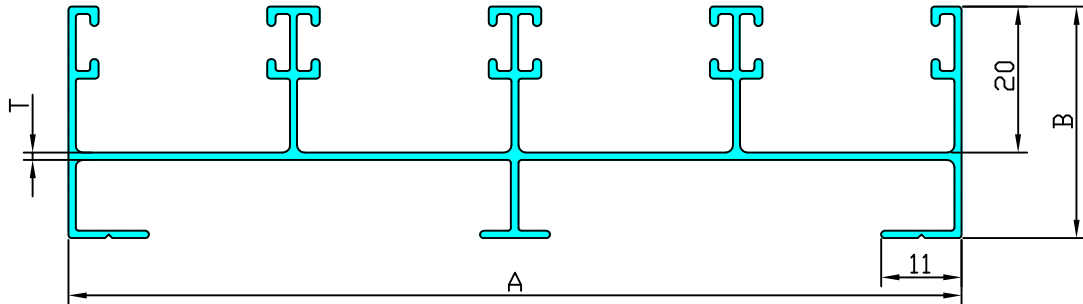
SL. NO.	SEC.No.	A	B	T	Wt.(kg/Mtr.)	Wt.(kg/12')
1	7141	92.00	31.75	0.80	0.630	2.300-2.500
2	7142	92.00	31.75	0.90	0.683	2.500-2.800
3	7143	92.00	31.75	1.10	0.765	2.800-3.200
4	7144	92.00	31.75	1.30	0.875	3.200-3.500
5						
6						



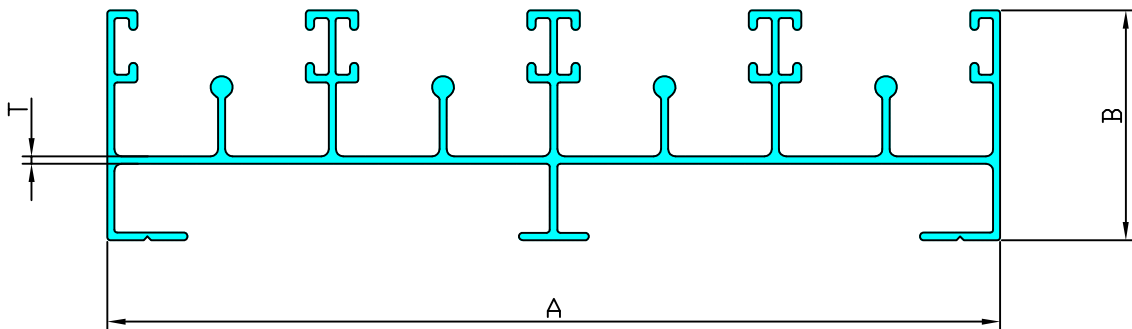
SL. NO.	SEC.No.	A	B	T	Wt.(kg/Mtr.)	Wt.(kg/12')
1	7151	92.00	31.75	1.00	0.765	2.800-3.000
2	7152	92.00	31.75	1.20	0.820	3.000-3.300
3	7153	92.00	31.75	1.40	1.092	4.000-4.300
4						
5						



# BOMBAY ALUMINIUM PVT. LTD.



SL. NO.	SEC.No.	A	B	T	Wt.(kg/Mtr.)	Wt.(kg/12')
1	7161	122.00	31.75	1.00	0.901	3.300-3.500
2	7162	122.00	31.75	1.40	1.310	4.800-5.200
3						
4						
5						

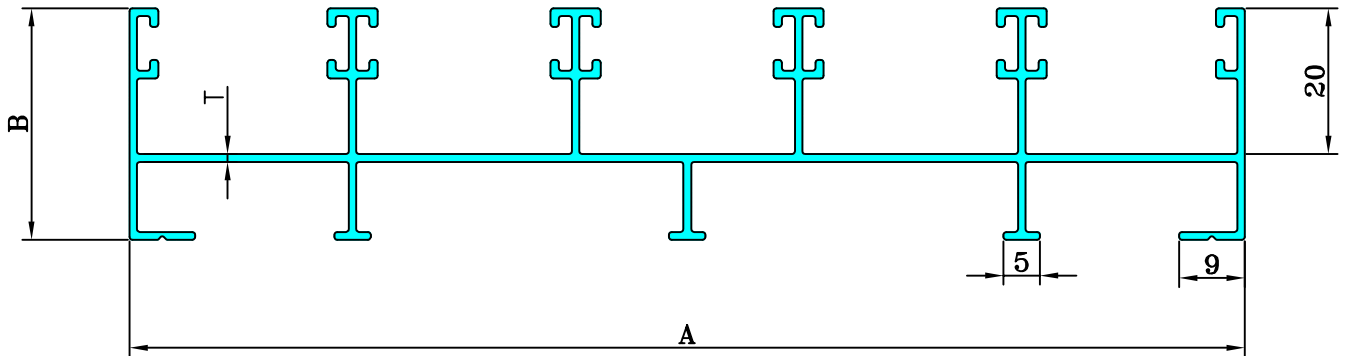


SL. NO.	SEC.No.	A	B	T	Wt.(kg/Mtr.)	Wt.(kg/12')
1	7171	122.00	31.75	1.10	1.174	4.300-4.500
2	7172	122.00	31.75	1.40	1.640	6.000-6.300
3						
4						
5						

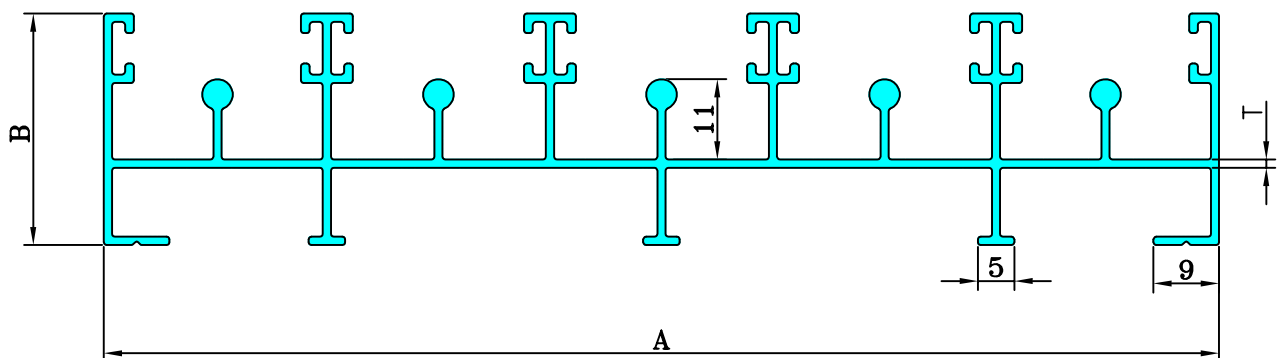




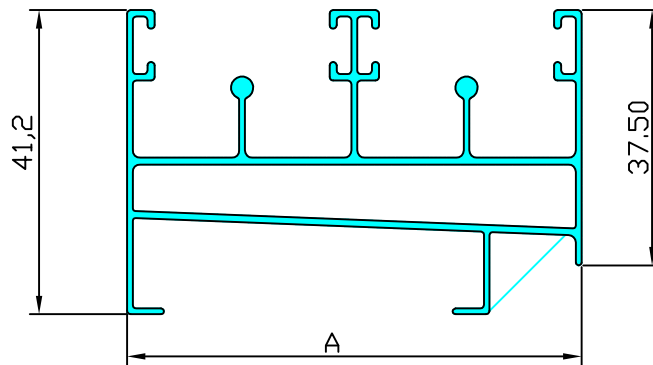
# BOMBAY ALUMINIUM PVT. LTD.



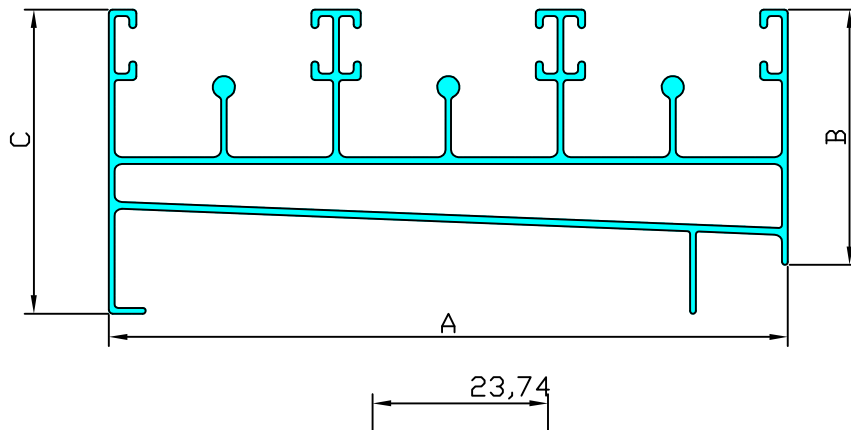
SL. NO.	SEC.No.	A A	B B	T	Wt.(kg/Mtr.)	Wt.(kg/12')
1	7181	152.90	31.75	1.00	1.200	4.400-4.800
2	7182	152.90	31.75	1.20	1.310	4.800-5.200
3						
4						
5						



SL. NO.	SEC.No.	A	B	T	Wt.(kg/Mtr.)	Wt.(kg/12')
1	7191	152.90	31.75	1.10	1.530	5.600-6.000
2	7192	152.90	31.75	1.20	1.640	6.000-6.400
3						
4						
5						



SL. NO.	SEC.No.	A	B	C	T	Wt.(kg/Mtr.)	Wt.(kg/12')
1	7135	152.90	31.75	41.2	1.00	0.901	3.500-3.700
2	7136	152.90	31.75	41.2	1.40	1.310	4.800-5.200
3							
4							
5							

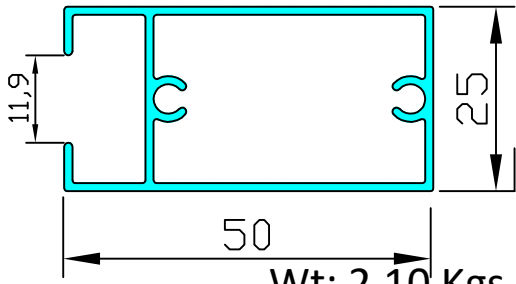


SL. NO.	SEC.No.	A	B	C	T	Wt.(kg/Mtr.)	Wt.(kg/12')
1	7155	152.90	31.75	41.2	1.00	0.901	4.500-4.800
2	7156	152.90	31.75	41.2	1.40	1.310	4.800-5.200
3							
4							
5							



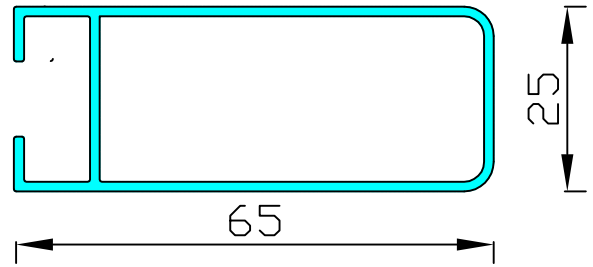
# BOMBAY ALUMINIUM PVT. LTD.

Sec. No.-7601



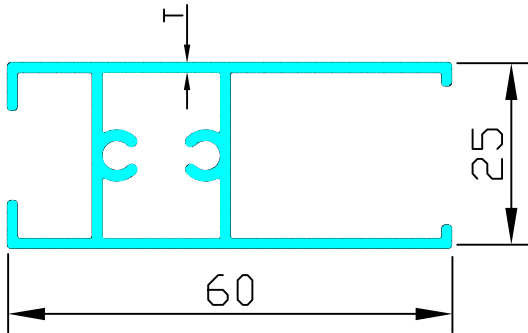
Wt: 2.10 Kgs./12'

Sec. No.-7605



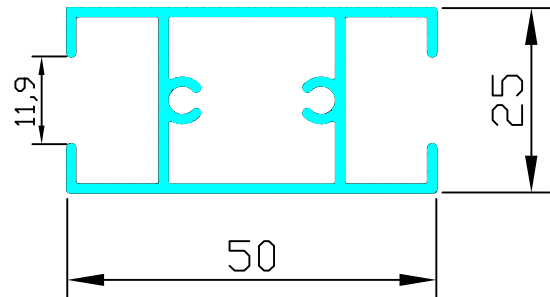
Wt: 2.650 Kgs./12'

Sec. No.-7631



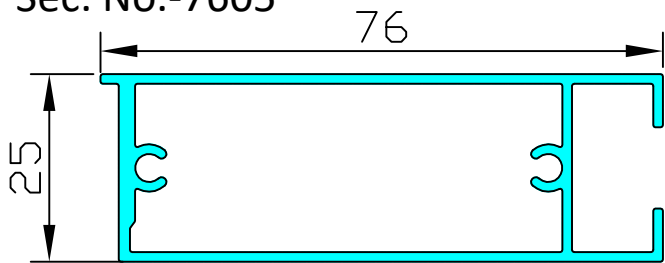
Wt: 2.650 Kgs./12'

Sec. No.-7621



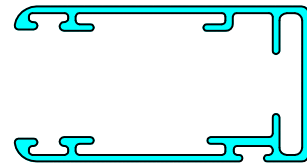
Wt: 2.20 Kgs./12'

Sec. No.-7605



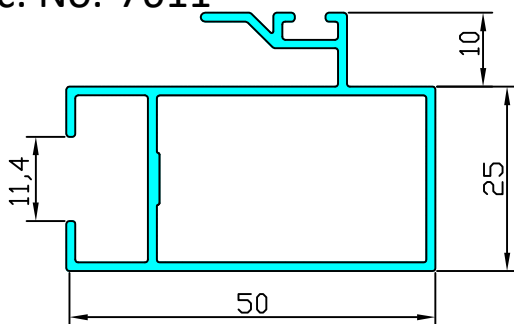
Wt: 2.90 Kgs./12'

Sec. No.-7606



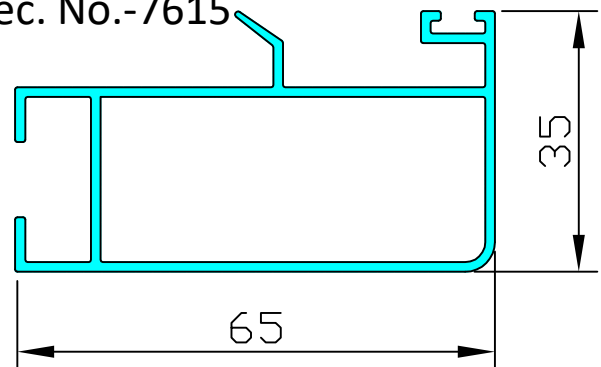
Wt: 1.60 Kgs./12'

Sec. No.-7611



Wt: 2.650 Kgs./12'

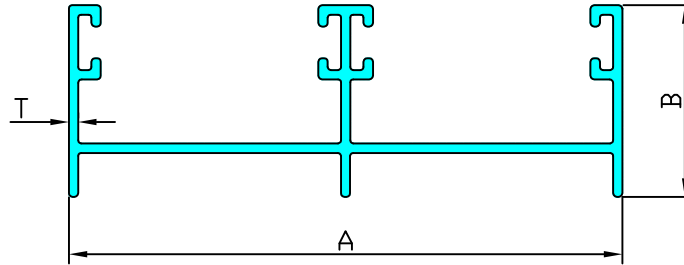
Sec. No.-7615



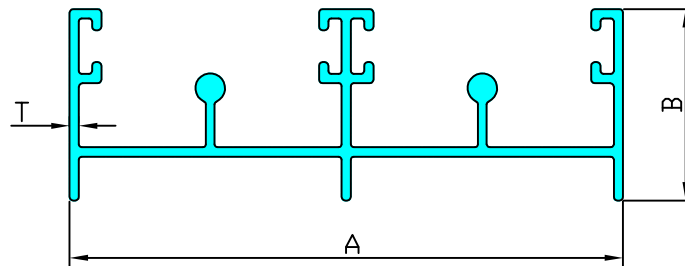
Wt: 3.10 Kgs./12'



# BOMBAY ALUMINIUM PVT. LTD.



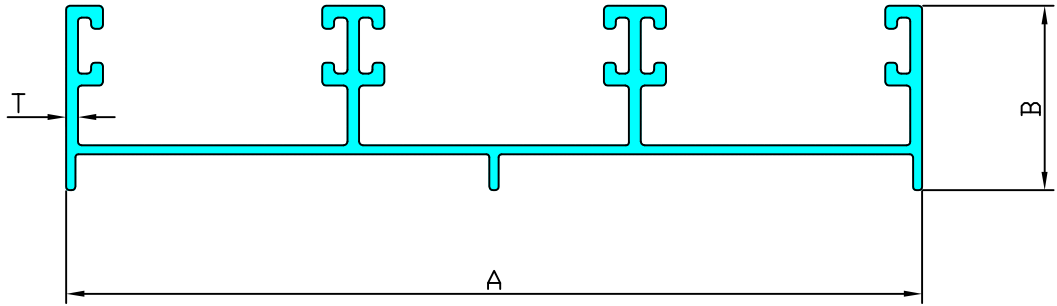
SL. NO.	SEC.No.	A	B	T	Wt.(kg/Mtr.)	Wt.(kg/12')
1	7501	75.00	25.40	1.40	0.628	2.300-2.500
2						
3						
4						
5						



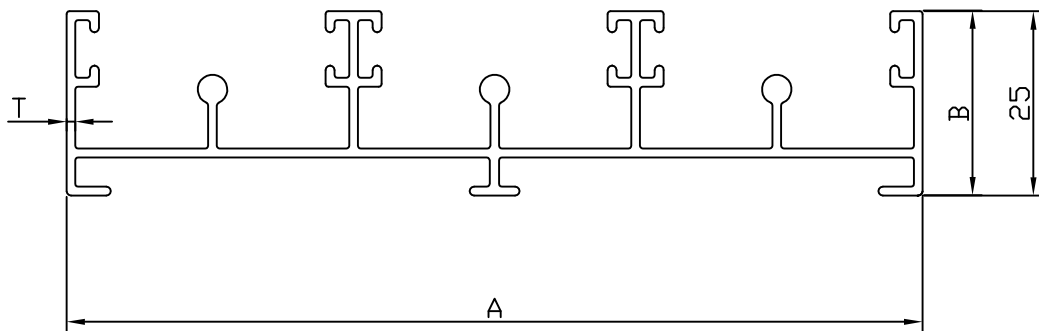
SL. NO.	SEC.No.	A	B	T	Wt.(kg/Mtr.)	Wt.(kg/12')
1	7511	75.00	25.40	1.25	0.655	2.400-2.600
2						
3						
4						
5						



# BOMBAY ALUMINIUM PVT. LTD.



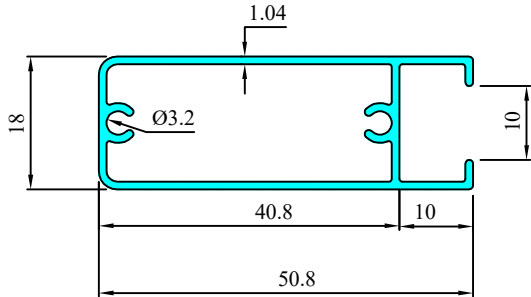
SL. NO.	SEC.No.	A	B	T	Wt.(kg/Mtr.)	Wt.(kg/12')
1	7521	116.00	25.00	1.30	0.900	3.300-3.500
2	7522	116.00	25.00	1.45	1.038	3.800-4.000
3						
4						
5						



SL. NO.	SEC.No.	A	B	T	Wt.(kg/Mtr.)	Wt.(kg/12')
1	7531	116.00	25.00	1.20	1.055	3.900-4.500
2						
3						
4						
5						

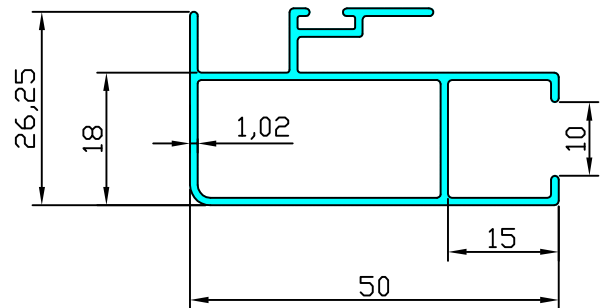


Sec. No.-7251



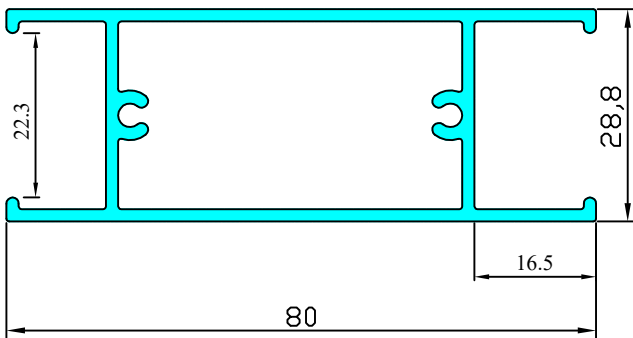
Wt: 1.60 Kgs./12'

Sec. No.-7252



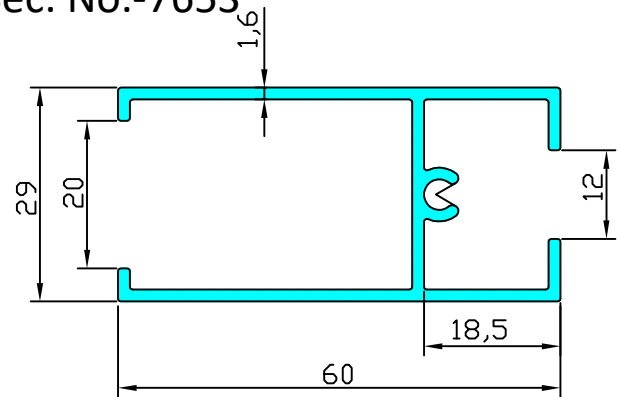
Wt: 1.80 Kgs./12'

Sec. No.-7661



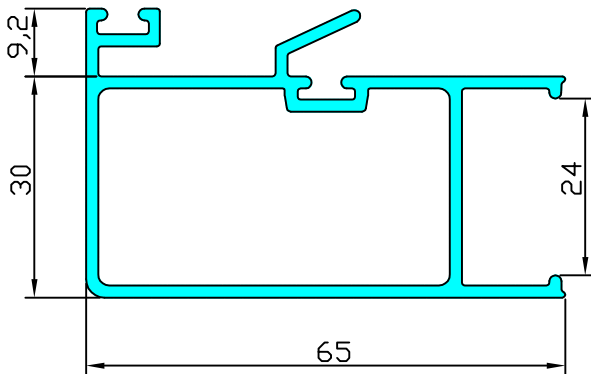
Wt: 3.90 Kgs./12'

Sec. No.-7653



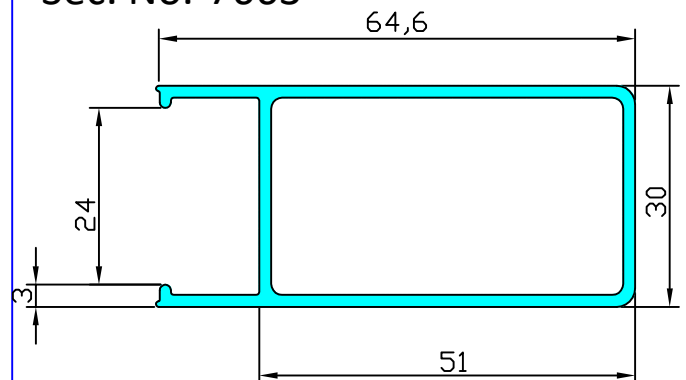
Wt: 2.750 Kgs./12'

Sec. No.-7662



Wt: 3.80 Kgs./12'

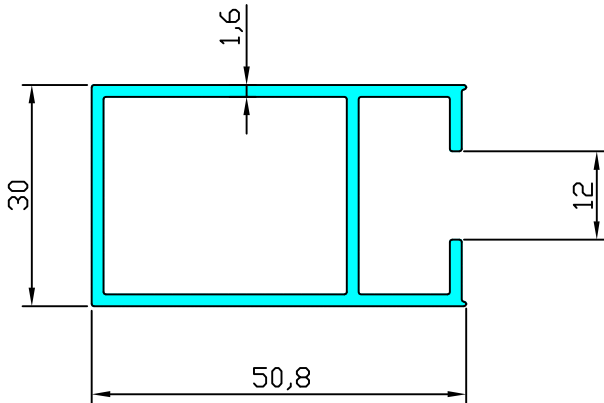
Sec. No.-7663



Wt: 3.20 Kgs./12'

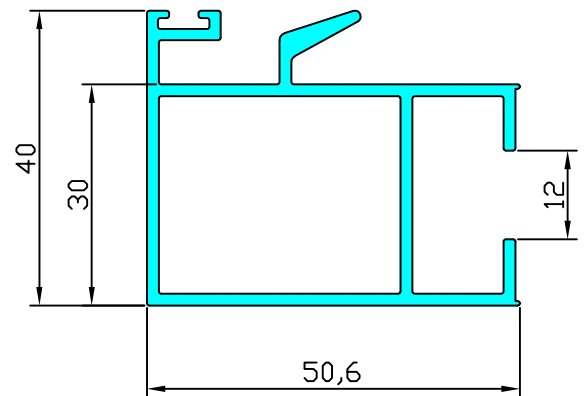


Sec. No.-7651



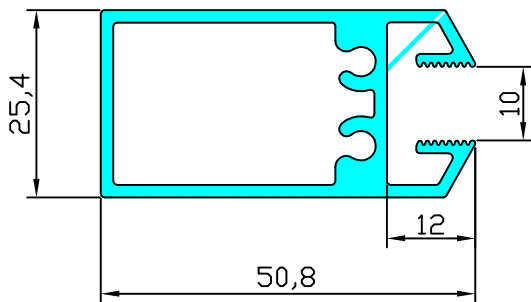
Wt: 2.60 Kgs./12'

Sec. No.-7652



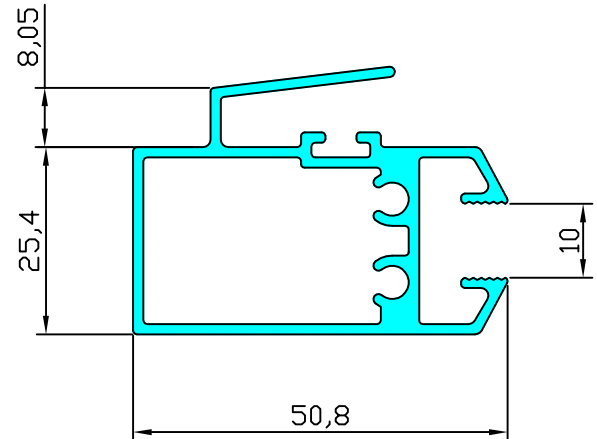
Wt: 3.40 Kgs./12'

Sec. No.-9090



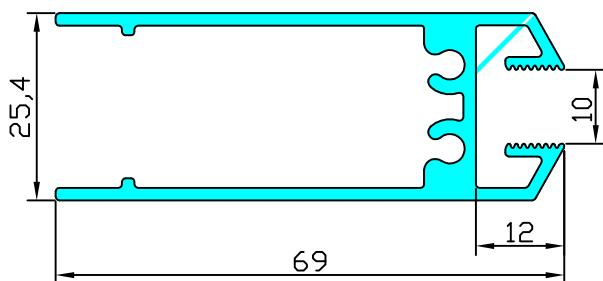
Wt: 1.60 Kgs./12'

Sec. No.-7672



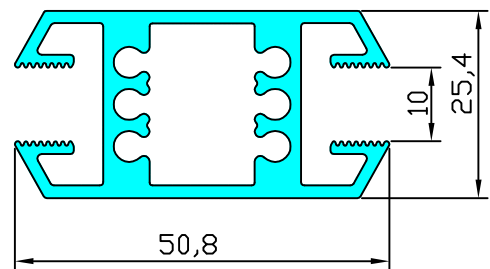
Wt: 3.80 Kgs./12'

Sec. No.-7673



Wt: 3.60 Kgs./12'

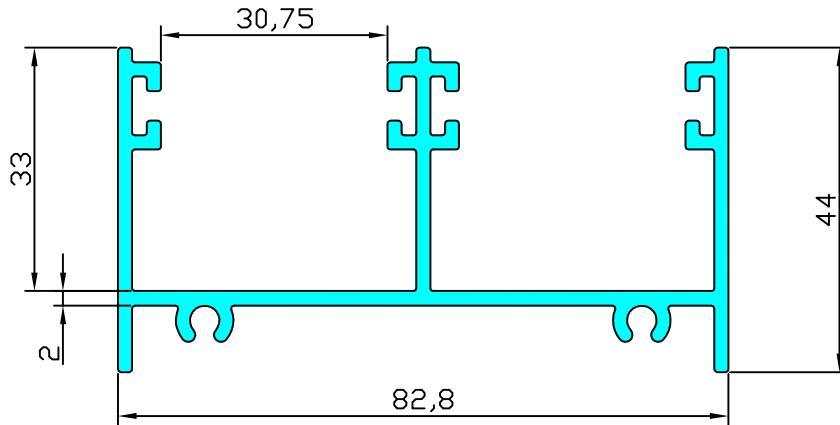
Sec. No.-7674



Wt: 3.90 Kgs./12'

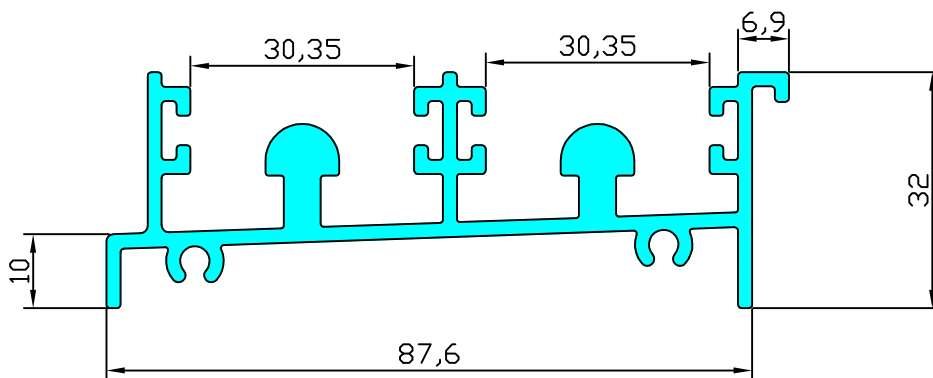


## Sec. No.-7571



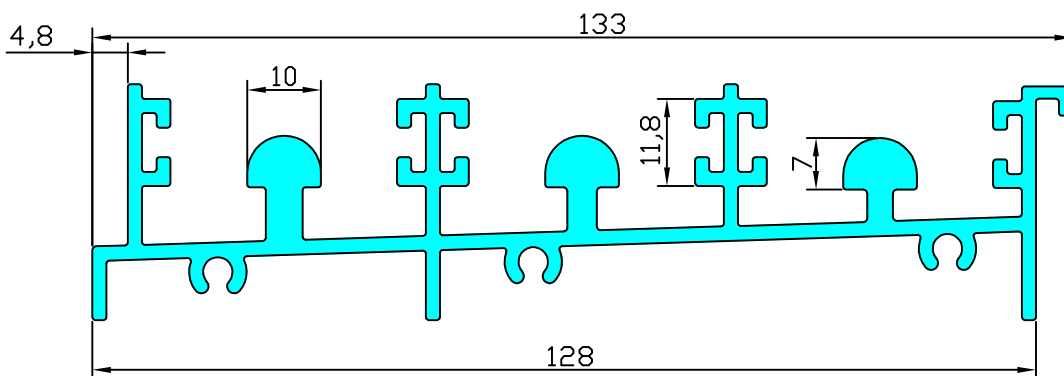
Wt: 5.20 Kgs./12'

## Sec. No.-7572



Wt: 6.50 Kgs./12'

## Sec. No.-9574

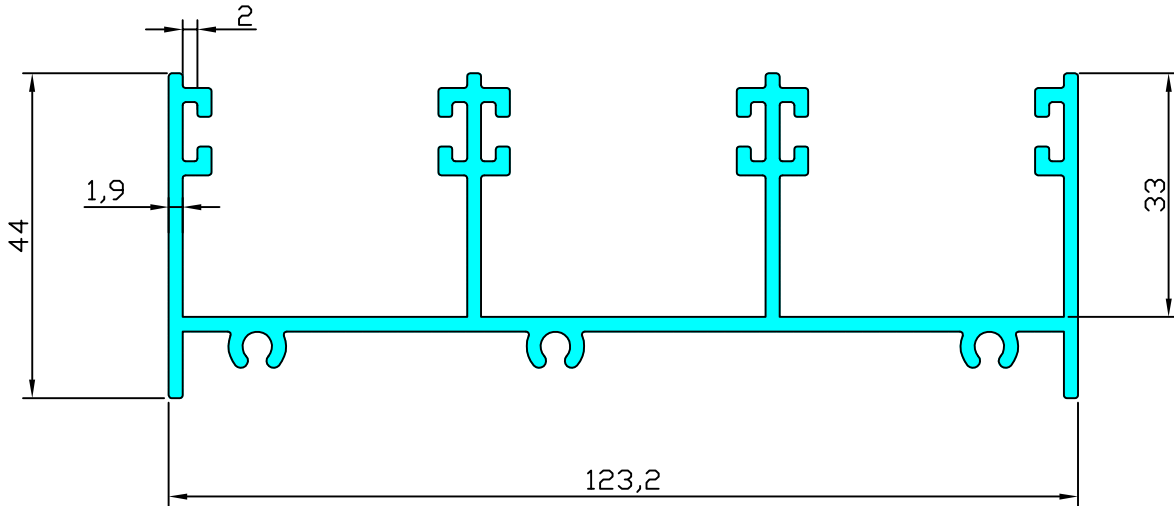


Wt: 9.20 Kgs./12'



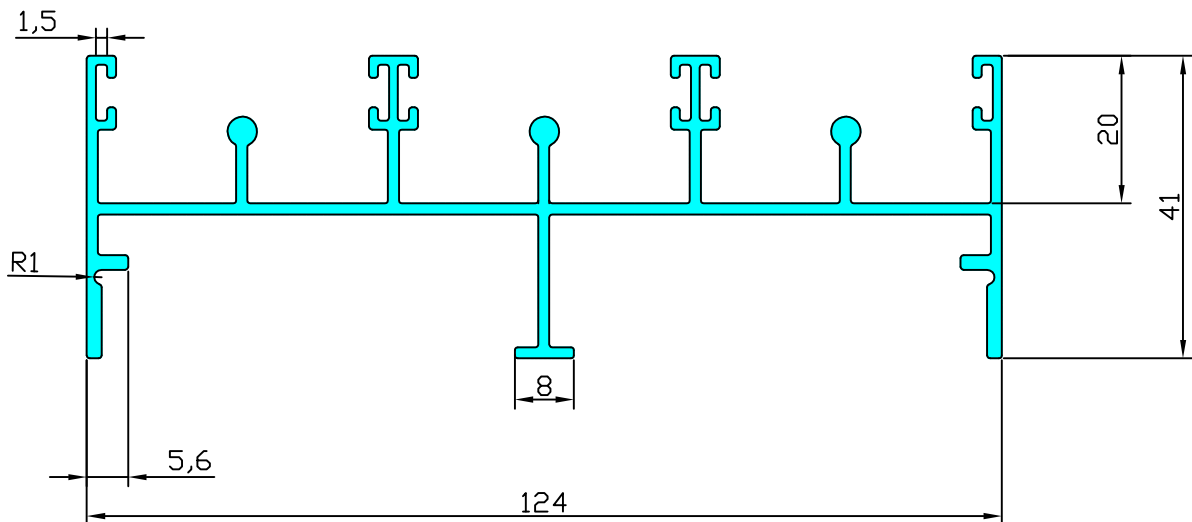


Sec. No.-7573



Wt: 7.20 Kgs./12'

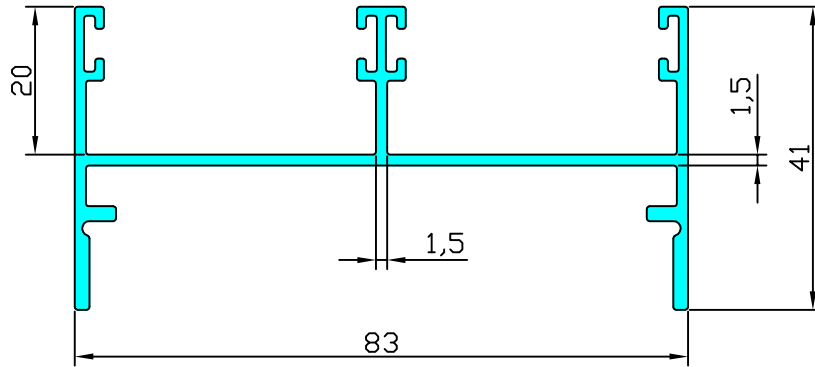
Sec. No.-7554



Wt: 5.60 Kgs./12'

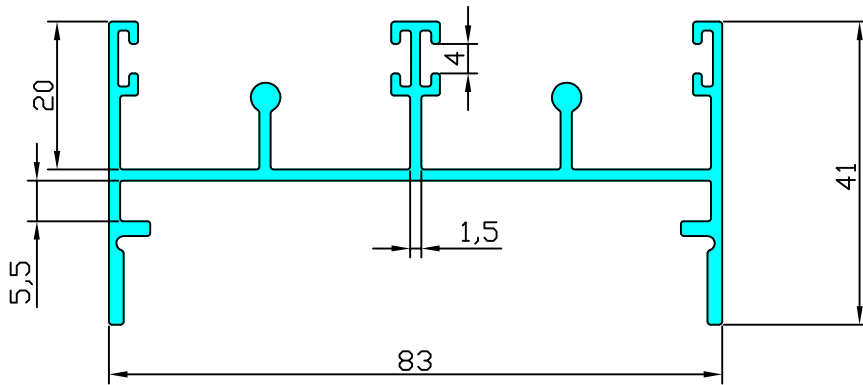


Sec. No.-7551



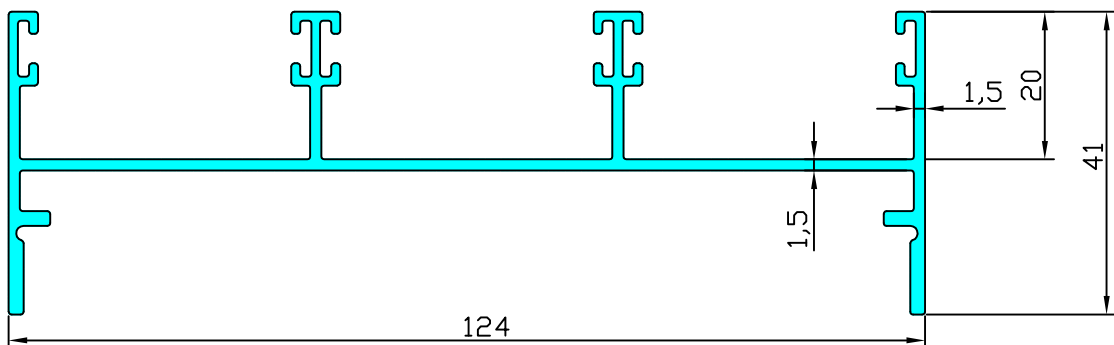
Wt: 3.30 Kgs./12'

Sec. No.-7552



Wt: 3.80 Kgs./12'

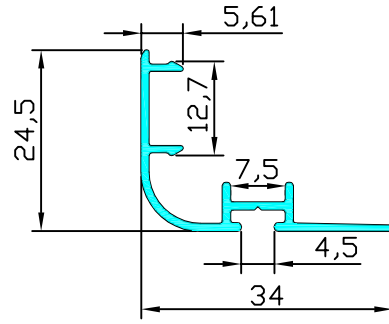
Sec. No.-7553



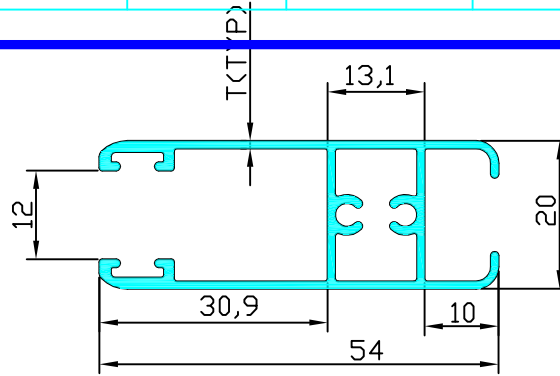
Wt: 4.40 Kgs./12'



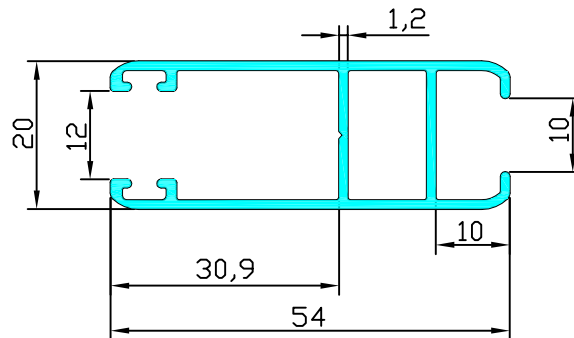
# BOMBAY ALUMINIUM PVT. LTD.



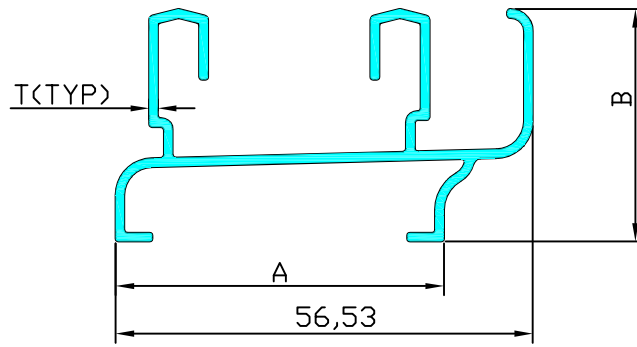
SEC.No.	T	Wt.(kg/Mtr.)	Wt.(kg/12')
3121	1.00	0.192	0.700-0.800
3122	1.20	0.229	0.850-0.950



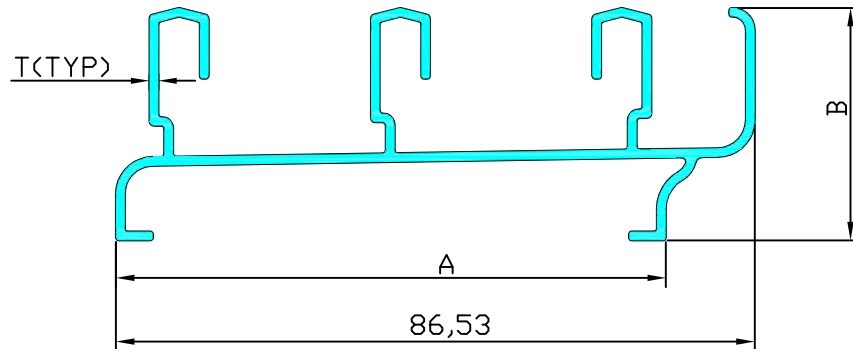
SEC.No.	T	Wt.(kg/Mtr.)	Wt.(kg/12')
3126	0.90	0.464	1.700-1.850
3127	1.00	0.520	1.900-2.100
3128	1.20	0.610	2.200-2.400
3129	1.35	0.670	2.450-2.700



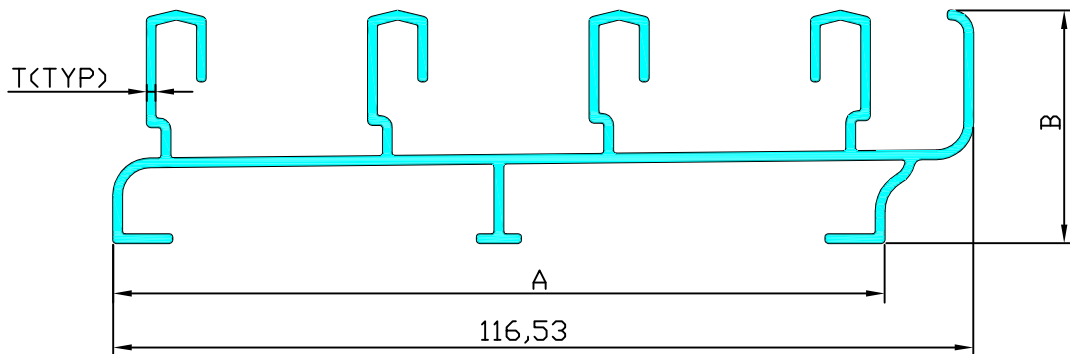
SEC.No.	T	Wt.(kg/Mtr.)	Wt.(kg/12')
3136	1.20	0.532	1.950-2.150
3137	1.50	0.665	2.400-2.600



SEC.No.	A	B	T	Wt.(kg/Mtr.)	Wt.(kg/12')
3141	44.50	31.50	1.00	0.465	1.700-1.900
3142	44.50	31.50	1.20	0.546	2.000-2.200
3143	44.50	31.50	1.50	0.750	2.700-3.000



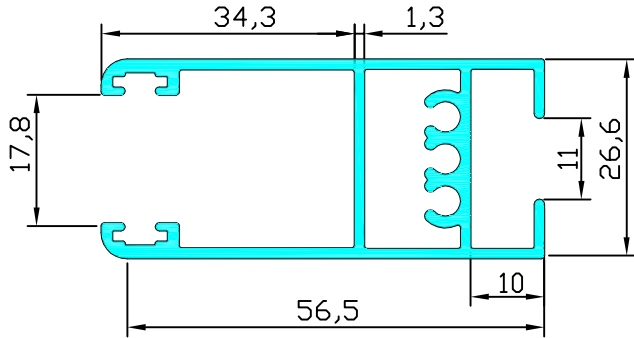
SEC.No.	A	B	T	Wt.(kg/Mtr.)	Wt.(kg/12')
3151	74.50	31.50	1.00	0.660	2.400-2.600
3152	74.50	31.50	1.20	0.792	2.900-3.200
3153	74.50	31.50	1.50	0.990	3.600-3.900



SEC.No.	A	B	T	Wt.(kg/Mtr.)	Wt.(kg/12')
3161	104.50	31.50	1.20	1.038	3.800-4.200
3162	104.50	31.50	1.50	1.298	4.750-5.100

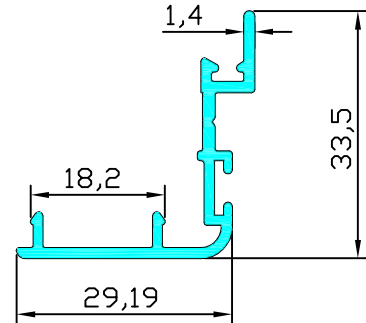


Sec. No.-3171



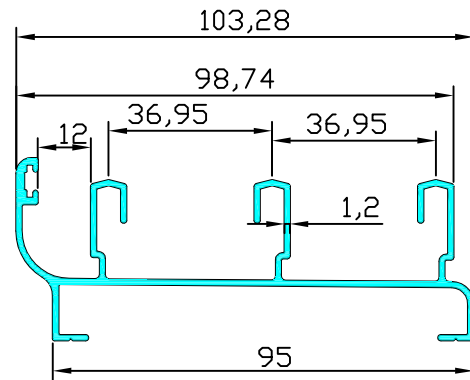
Wt: 3.20 Kgs./12'

Sec. No.-3176



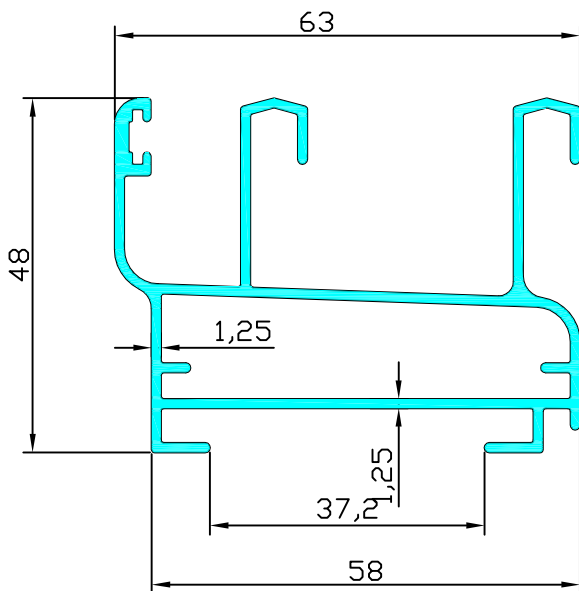
Wt: 1.20 Kgs./12'

Sec. No.-3183



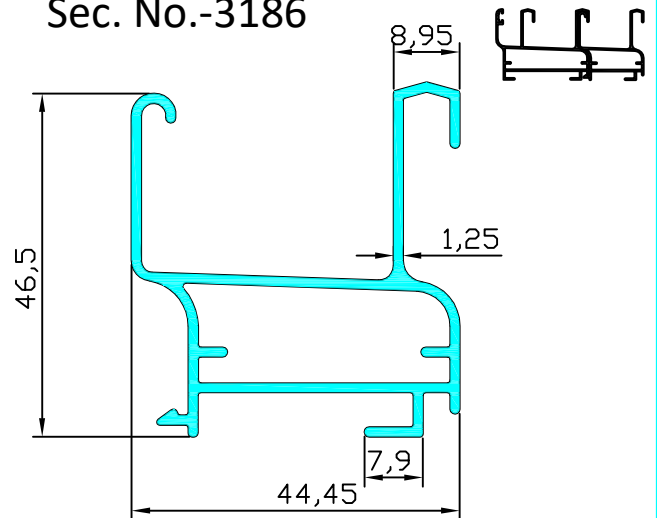
Wt: 5.70 Kgs./12'

Sec. No.-3181

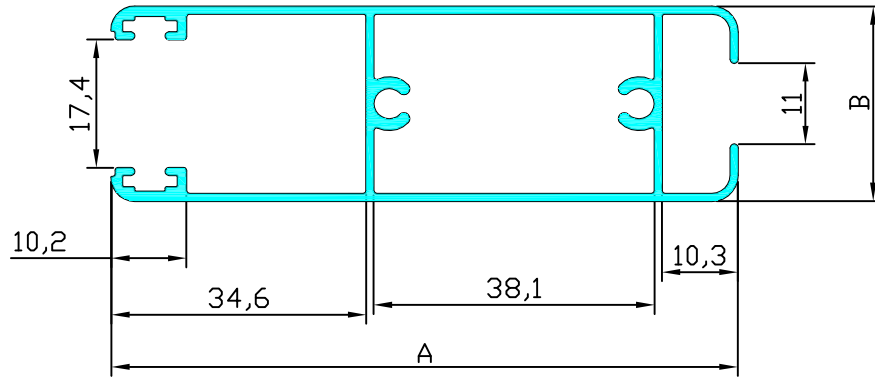


Wt: 3.80 Kgs./12'

Sec. No.-3186

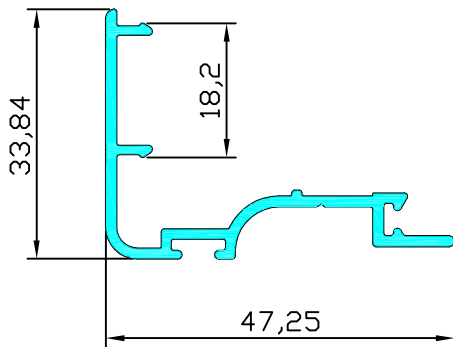


Wt: 2.70 Kgs./12'



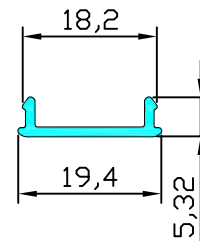
SEC.No.	A	B	T	Wt.(kg/Mtr.)	Wt.(kg/12')
3101	85.00	26.40	1.00	0.765	2.800-3.000
3102	85.00	27.00	1.30	0.983	3.600-3.800

## Sec. No.-3111

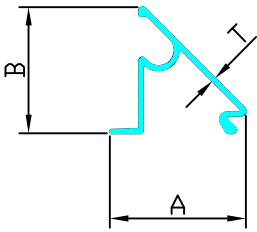


Wt: 1.30 Kgs./12'

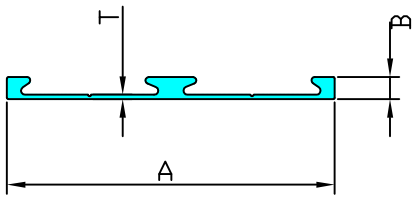
## Sec. No.-3116



Wt: 0.350 Kgs./12'

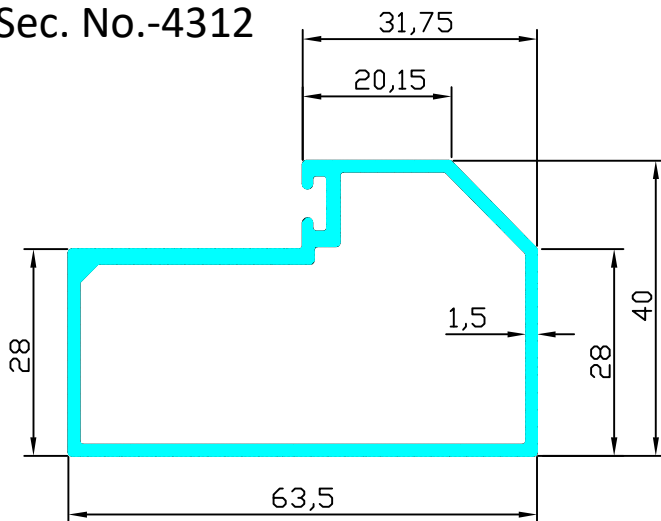


SEC.No.	A	B	T	Wt.(kg/Mtr.)	Wt.(kg/12')
4451	18.40	17.00	0.72	0.079	0.320-0.360
4452	18.40	17.00	0.82	0.092	0.360-0.420
4453	18.40	17.00	0.90	0.114	0.420-0.480



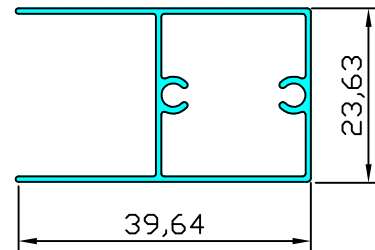
SEC.No.	A	B	T	Wt.(kg/Mtr.)	Wt.(kg/12')
4461	44.40	3.00	0.60	0.123	0.500-0.600
4462	44.40	3.00	1.10	0.163	0.600-0.800

Sec. No.-4312



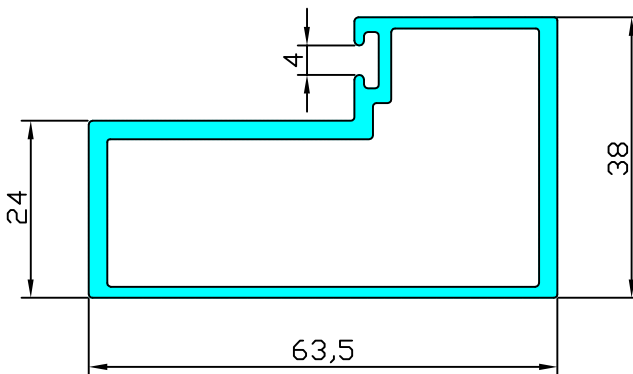
Wt: 3.350 Kgs./12'

Sec. No.-4481



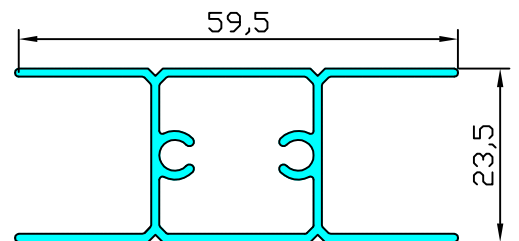
Wt: 1.45 Kgs./12'

Sec. No.-4311



Wt: 3.80 Kgs./12'

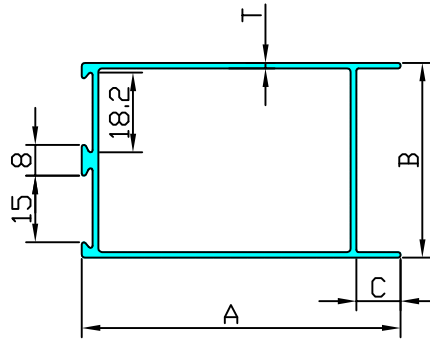
Sec. No.-4482



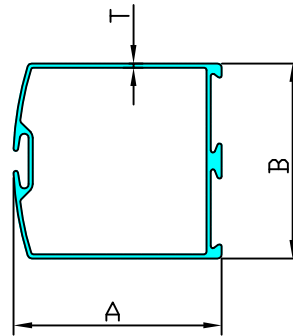
Wt: 2.10 Kgs./12'



# BOMBAY ALUMINIUM PVT. LTD.



SEC.No.	A	B	C	T	Wt.(kg/Mtr.)	Wt.(kg/12')
4431	47.60	44.45	10.15	1.30	0.683	2.500-2.700
4432	47.60	44.45	10.15	1.40	0.874	2.700-2.900
4433	85.00	44.45	10.00	1.75	1.229	4.500-4.800
4434	114.30	44.45	25.40	1.36	1.201	4.400-4.800

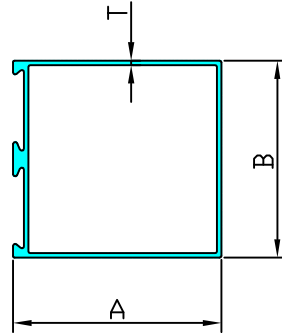


SEC.No.	A	B	T	Wt.(kg/Mtr.)	Wt.(kg/12')
4441	47.60	44.45	1.29	0.710	2.600-2.800
4442	47.60	44.45	1.41	0.765	2.800-3.000
4443	85.00	44.45	1.40	1.038	3.800-4.200

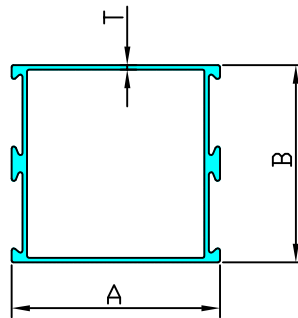




# BOMBAY ALUMINIUM PVT. LTD.



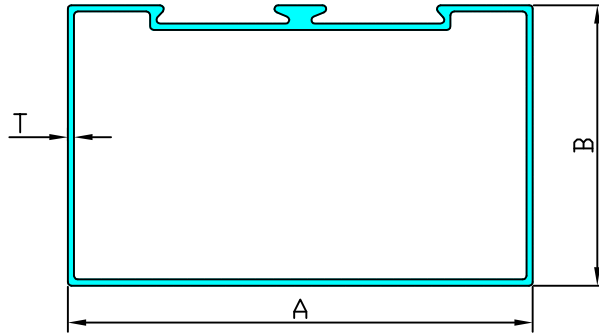
SEC.No.	A	B	T	Wt.(kg/Mtr.)	Wt.(kg/12')
4401	47.60	44.45	1.30	0.683	2.500-2.800
4402	83.50	44.45	1.45	1.010	3.700-4.000



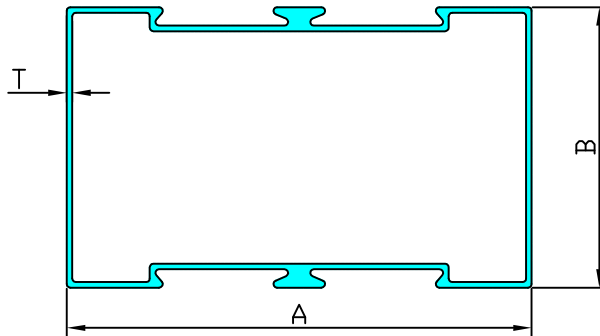
SEC.No.	A	B	T	Wt.(kg/Mtr.)	Wt.(kg/12')
4411	47.60	44.45	1.17	0.655	2.400-2.600
4412	83.50	44.45	1.37	1.010	3.700-4.000



# BOMBAY ALUMINIUM PVT. LTD.



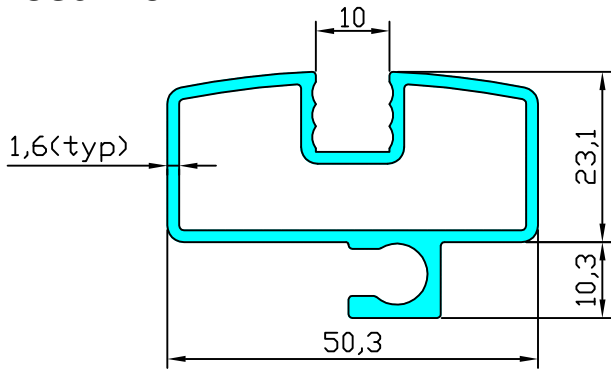
SL. NO.	SEC.No.	A	B	T	Wt.(kg/Mtr.)	Wt.(kg/12')
1	4301	50.80	25.40	0.90	0.355	1.300-1.500
2	4302	63.50	38.10	0.90	0.550	2.000-2.200
3	4303	63.50	38.10	1.00	0.601	2.200-2.500
4	4304	63.50	38.10	0.80	0.491	1.800-2.000
5	4305	63.50	38.10	1.30	0.765	2.800-3.200
6	4306	63.50	38.10	1.65	0.983	3.600-4.000
7	4307	101.60	44.45	1.15	1.092	4.000-4.400
8	4308	101.60	44.45	1.30	1.223	4.500-4.800
9						
10						



SL. NO.	SEC.No.	A	B	T	Wt.(kg/Mtr.)	Wt.(kg/12')
1	4351	50.80	25.40	1.00	0.410	1.500-1.700
2	4352	63.50	38.10	0.80	0.550	2.000-2.200
3	4353	63.50	38.10	0.90	0.601	2.200-2.500
4	4354	63.50	38.10	0.70	0.491	1.800-2.000
5	4355	63.50	38.10	1.05	0.765	2.800-3.200
6	4356	63.50	38.10	1.40	0.983	3.600-4.000
7	4357	101.60	44.45	1.25	1.092	4.000-4.400
8	4358	101.60	44.45	1.25	1.223	4.500-4.800
9						
10						

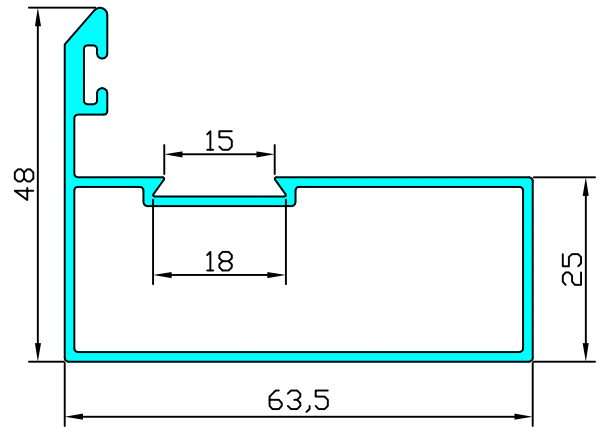


Sec. No.-7741



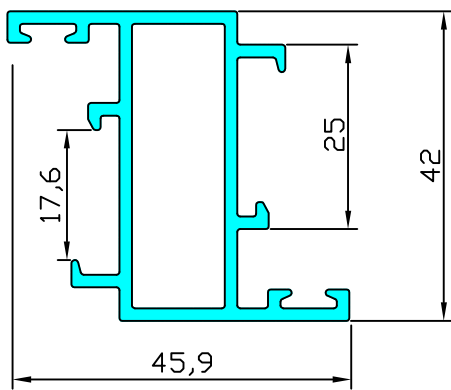
Wt: 3.20 Kgs./12'

Sec. No.-7742



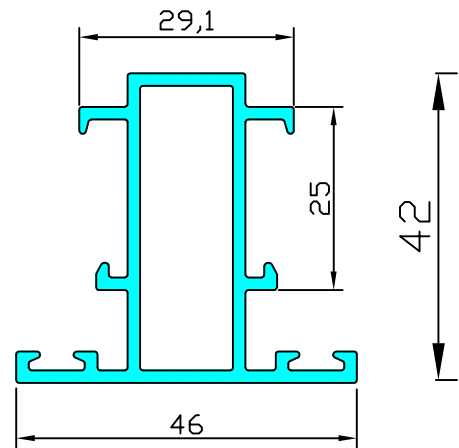
Wt: 3.00 Kgs./12'

Sec. No.-7702



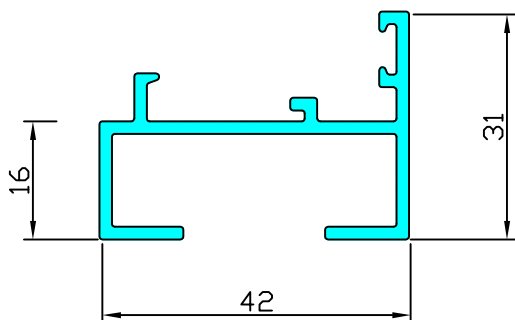
Wt: 2.80 Kgs./12'

Sec. No.-7701



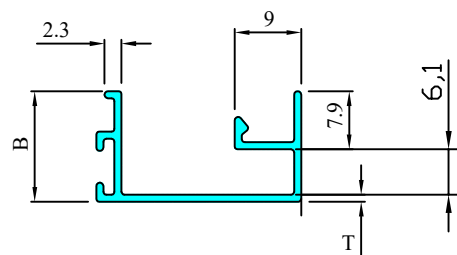
Wt: 2.80 Kgs./12'

Sec. No.-7703



Wt: 1.80 Kgs./12'

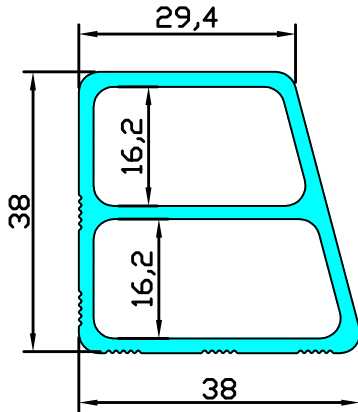
Sec. No.-7704



Wt: 0.850 Kgs./12'

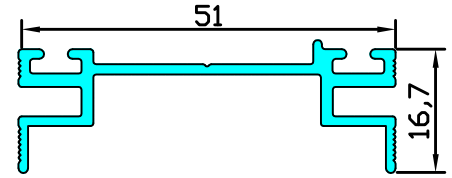


Sec. No.-9202



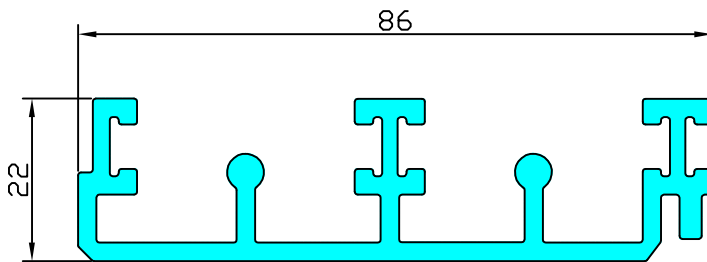
Wt: 3.30 Kgs./12'

Sec. No.-9187



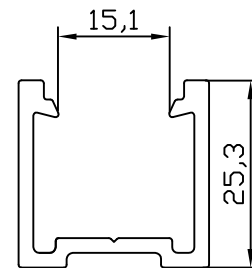
Wt: 1.650 Kgs./12'

Sec. No.-9241



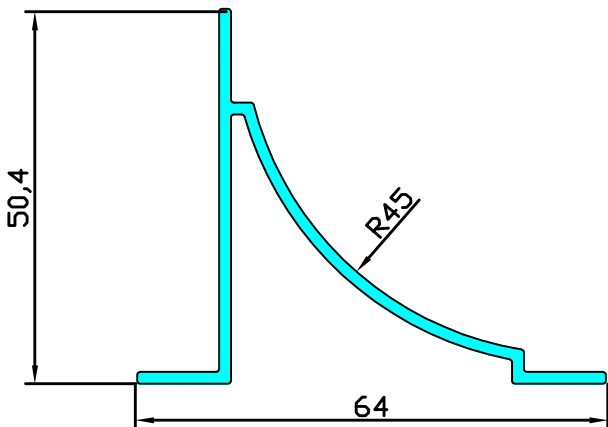
Wt: 5.40 Kgs./12'

Sec. No.-9113



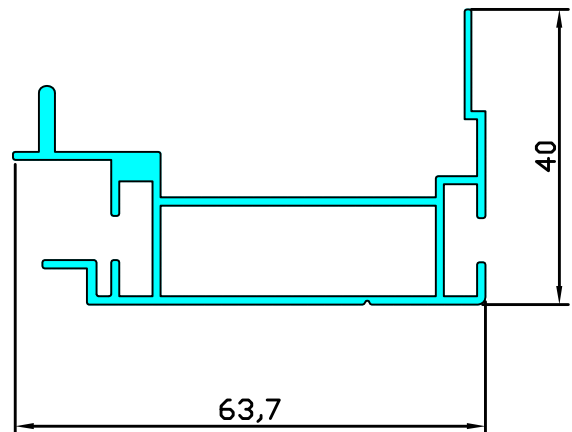
Wt: 1.70 Kgs./12'

Sec. No.-9197



Wt: 2.00 Kgs./12'

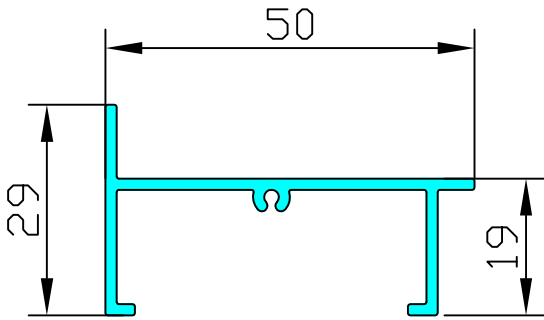
Sec. No.-9193



Wt: 2.60 Kgs./12'

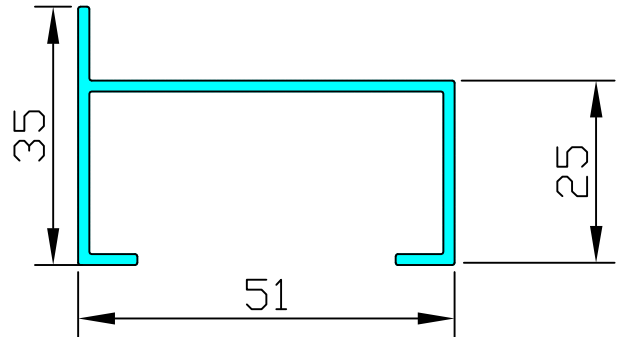


Sec. No.-7802



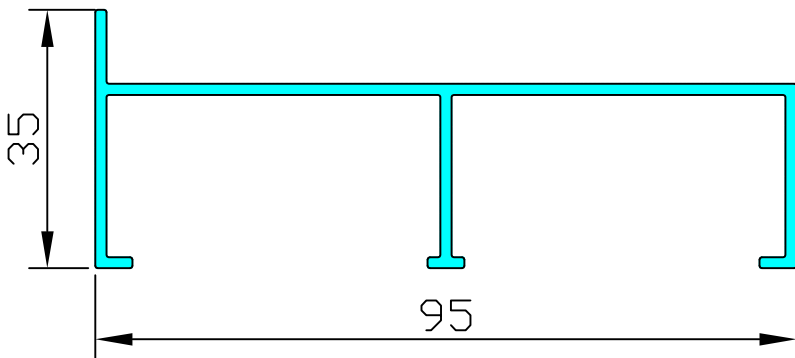
Wt: 1.60 Kgs./12'

Sec. No.-7801



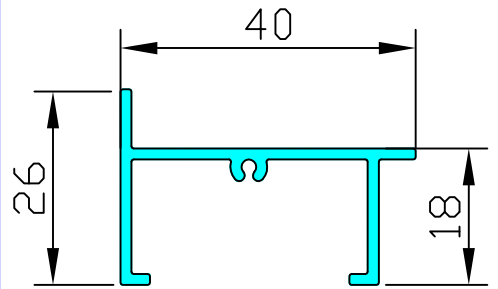
Wt: 1.80 Kgs./12'

Sec. No.-7814



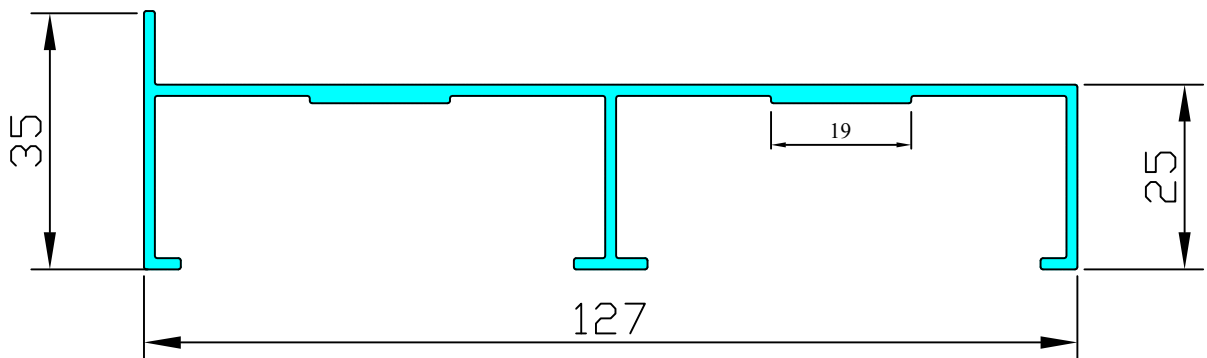
Wt: 2.80 Kgs./12'

Sec. No.-7803



Wt: 1.60 Kgs./12'

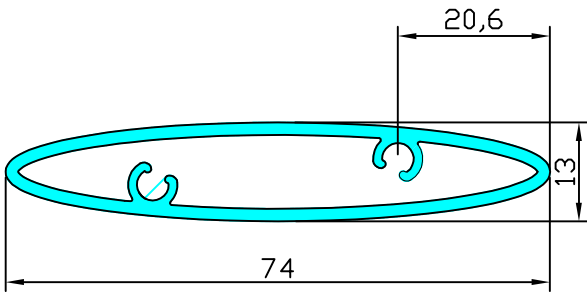
Sec. No.-7805



Wt: 3.80 Kgs./12'

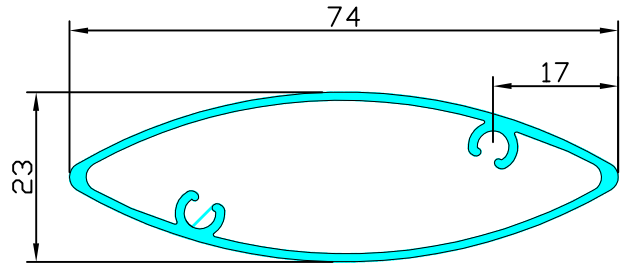


Sec. No.-7812



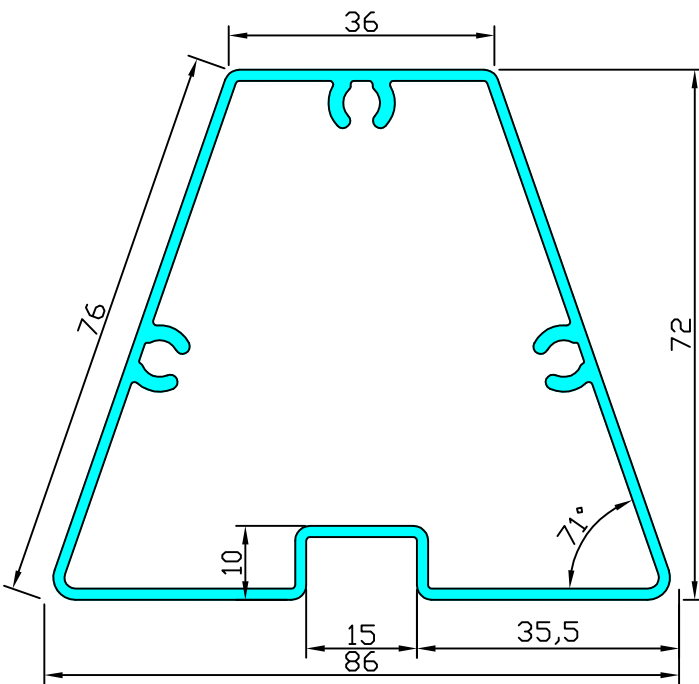
Wt: 2.20 Kgs./12'

Sec. No.-7813



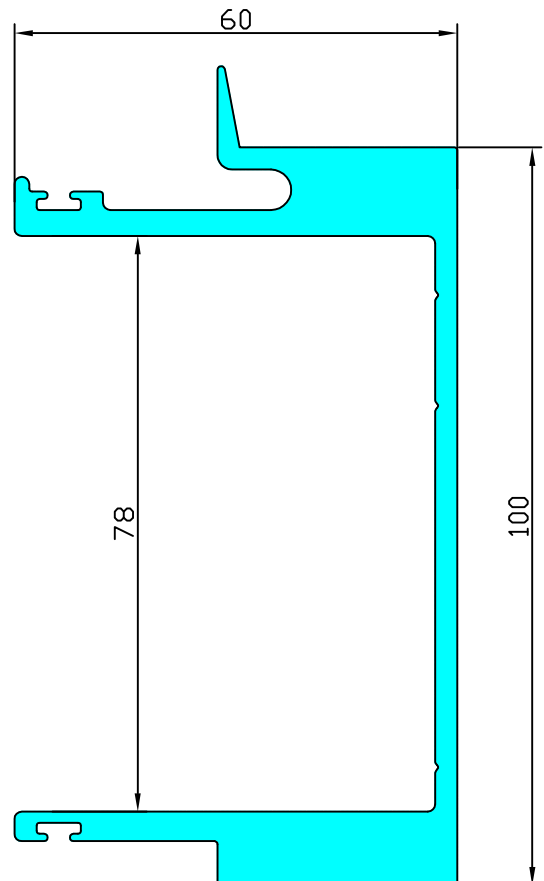
Wt: 2.60 Kgs./12'

Sec. No.-9255



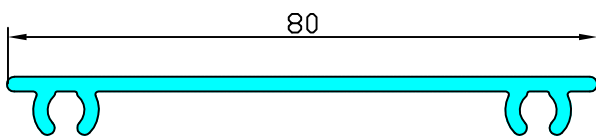
Wt: 4.90 Kgs./12'

Sec. No.-9261



Wt: 11.150 Kgs./12'

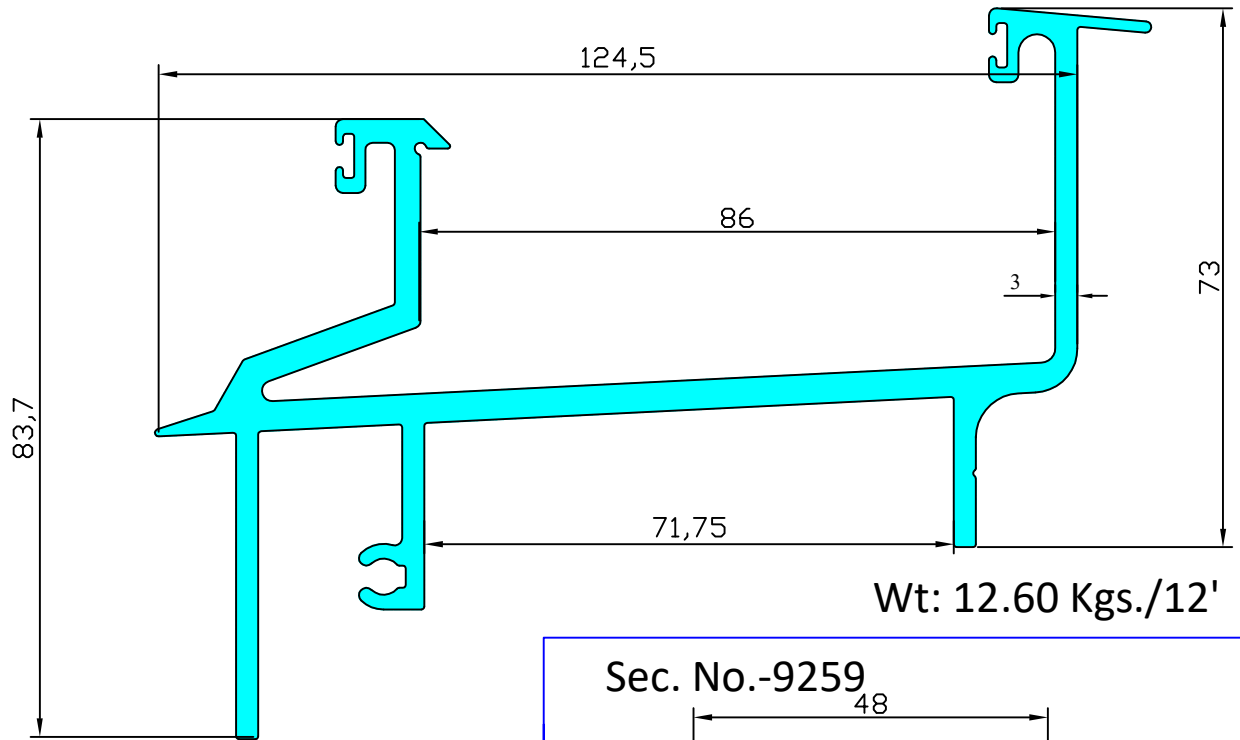
Sec. No.-9257



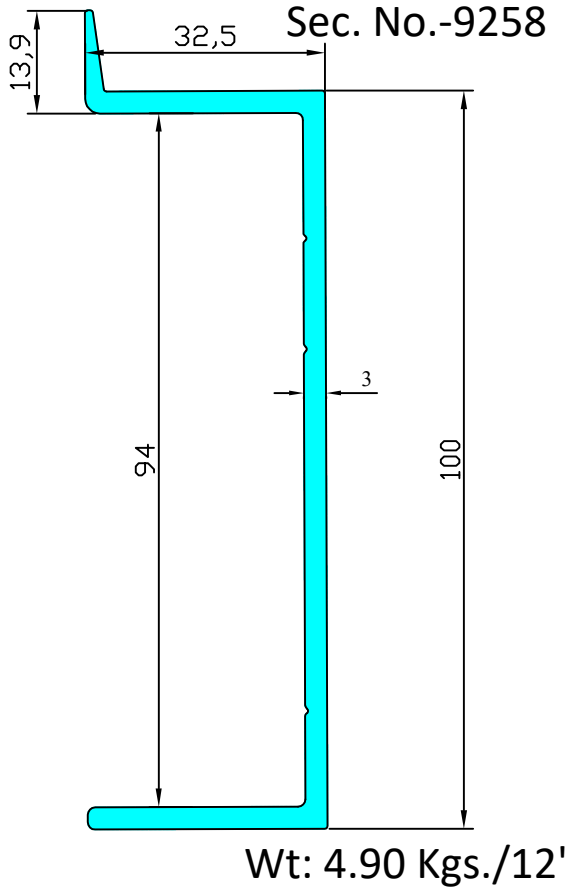
Wt: 2.10 Kgs./12'



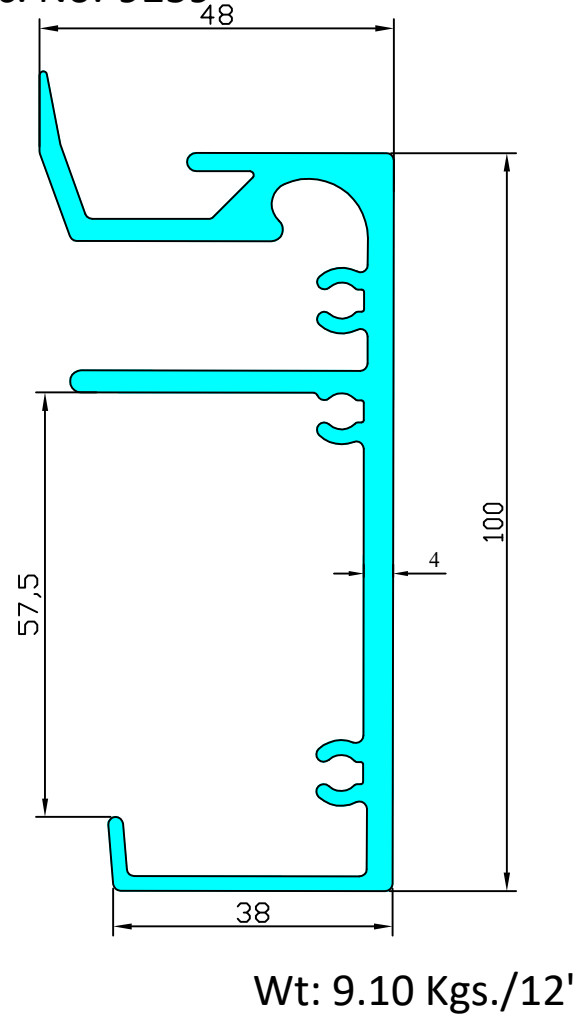
Sec. No.-9260



Sec. No.-9258

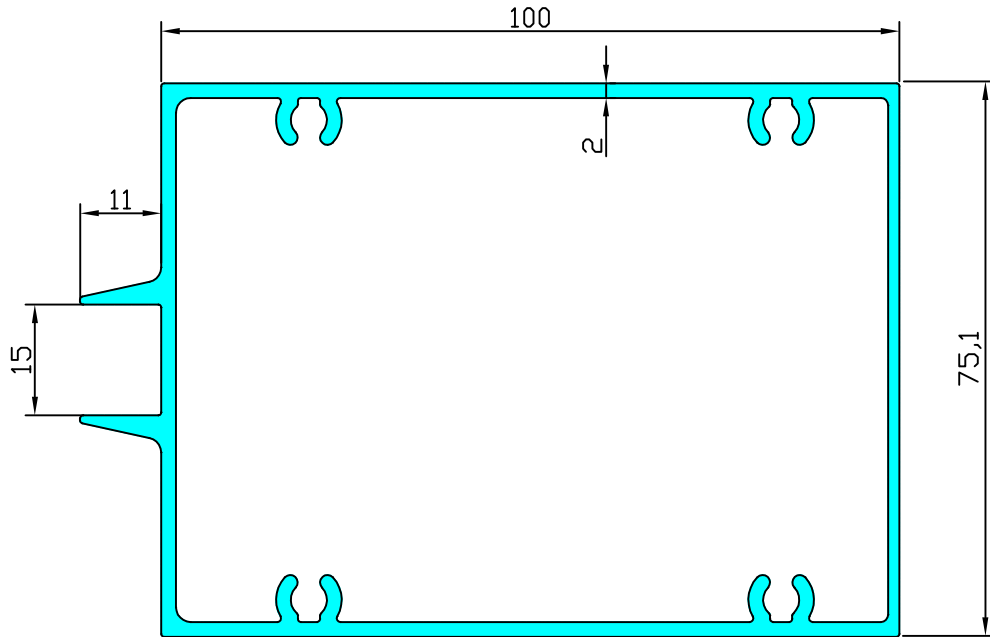


Sec. No.-9259



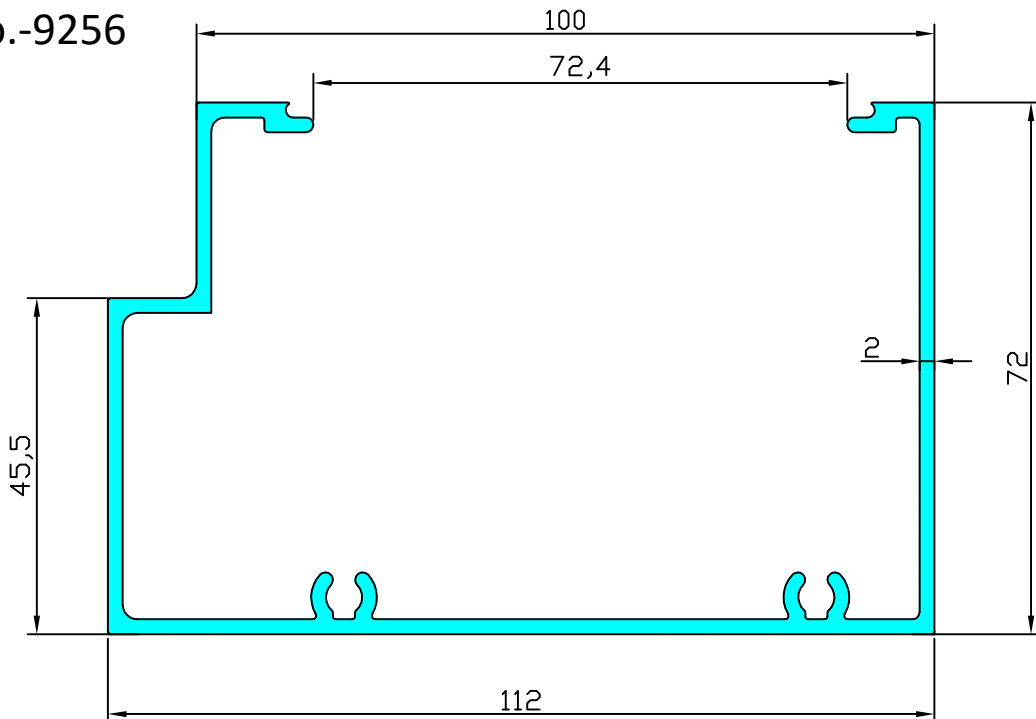


Sec. No.-9262



Wt: 6.80 Kgs./12'

Sec. No.-9256

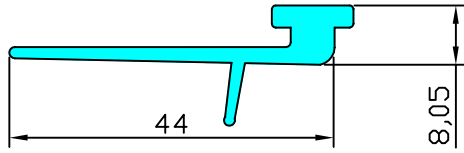


Wt: 6.450 Kgs./12'



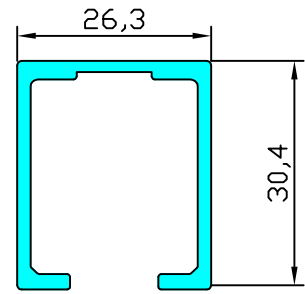


Sec. No.-9268



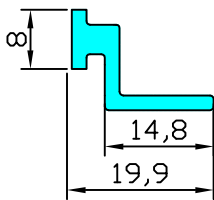
Wt: 1.25 Kgs./12'

Sec. No.-9265



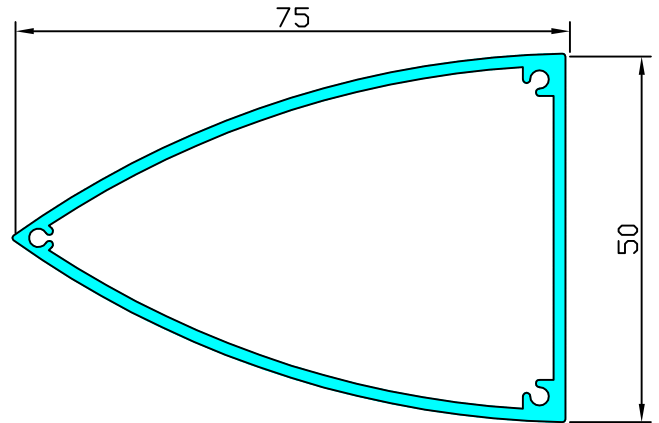
Wt: 1.80 Kgs./12'

Sec. No.-9264



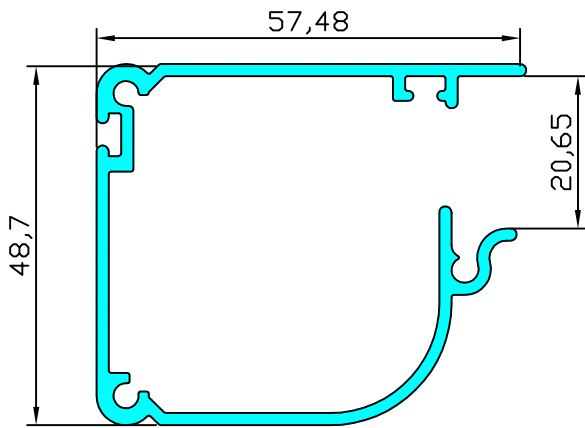
Wt: 0.70 Kgs./12'

Sec. No.-9270



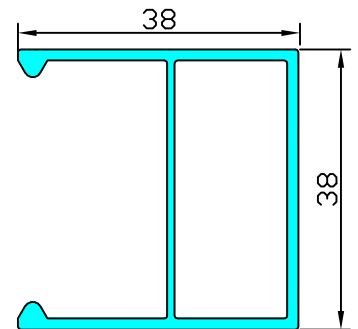
Wt: 3.50 Kgs./12'

Sec. No.-9276



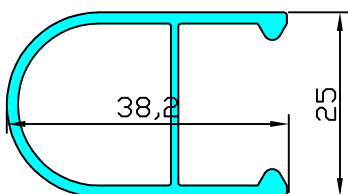
Wt: 3.550 Kgs./12'

Sec. No.-9272



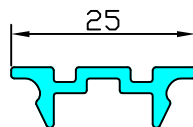
Wt: 2.10 Kgs./12'

Sec. No.-9274



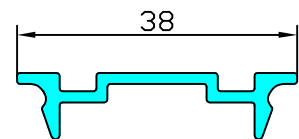
Wt: 1.65 Kgs./12'

Sec. No.-9275



Wt: 0.70 Kgs./12'

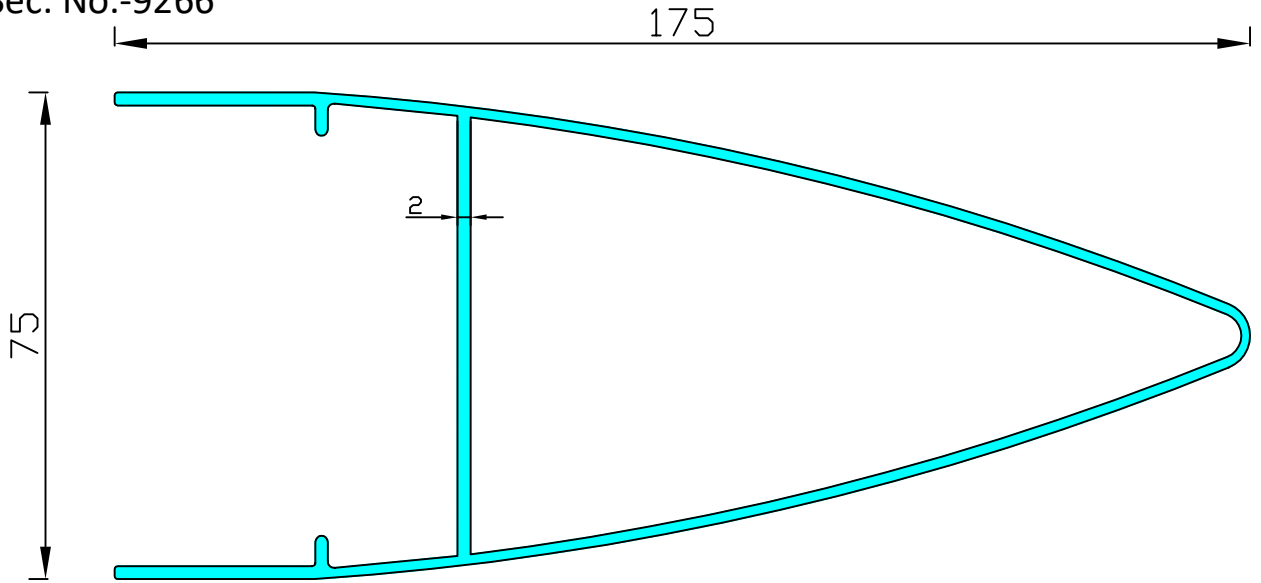
Sec. No.-9273



Wt: 0.95 Kgs./12'

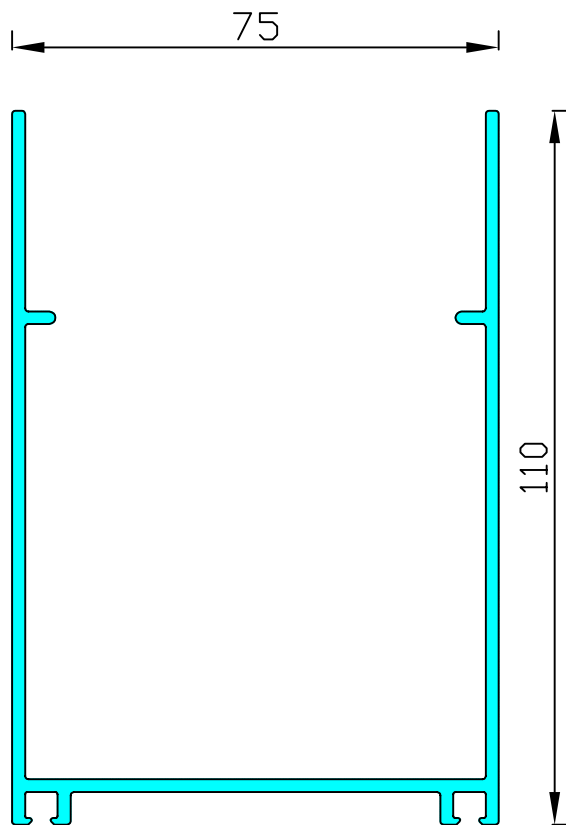


Sec. No.-9266



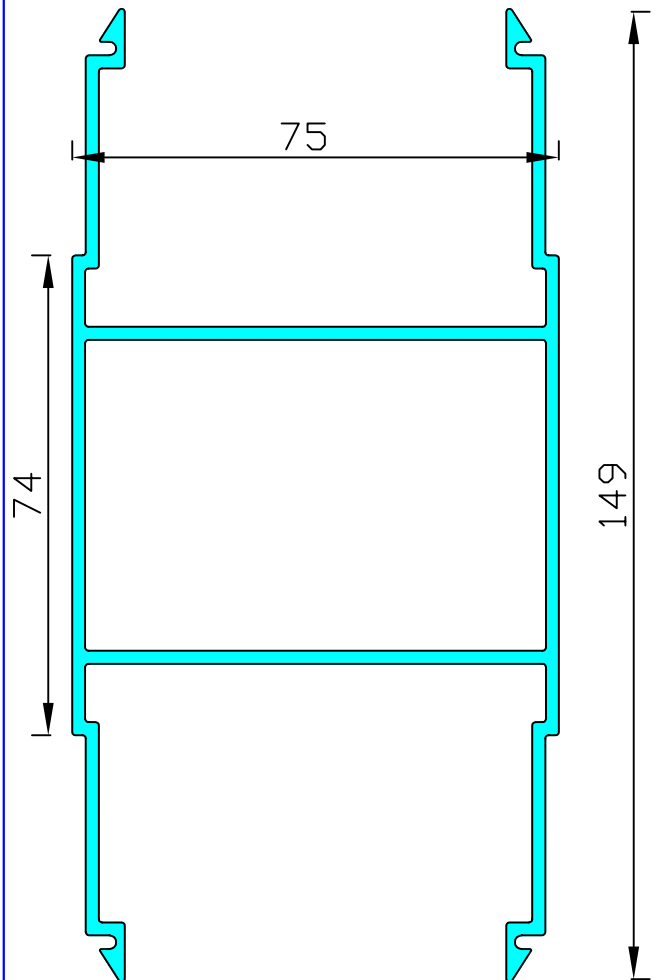
Wt: 8.50 Kgs./12'

Sec. No.-9268



Wt: 6.150 Kgs./12'

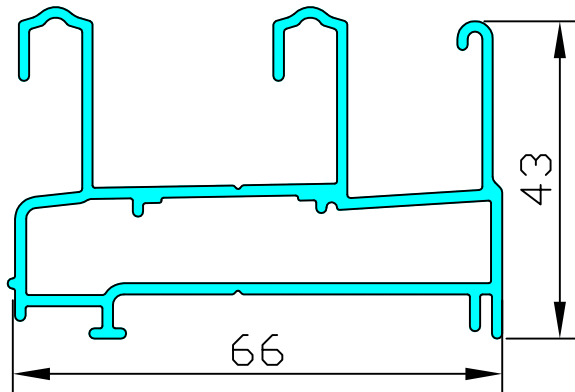
Sec. No.-9267



Wt: 9.30 Kgs./12'

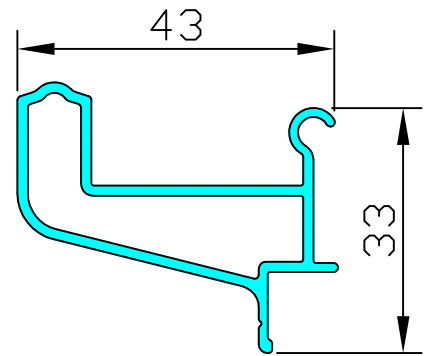


Sec. No.-9652



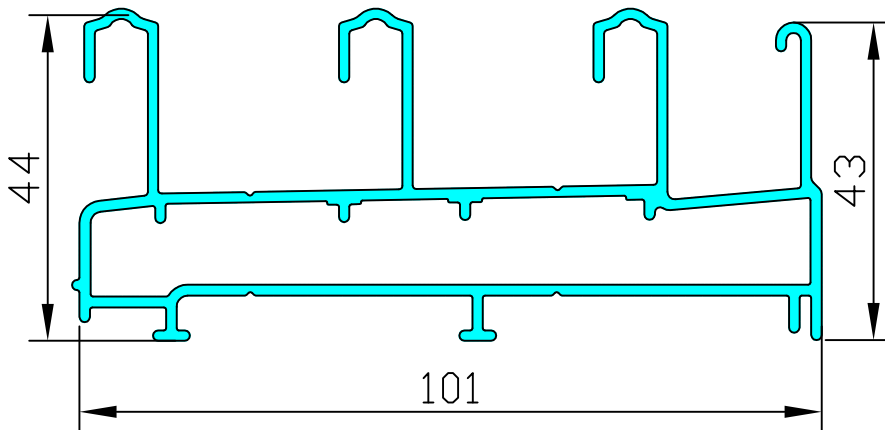
Wt: 4.20 Kgs./12'

Sec. No.-9658



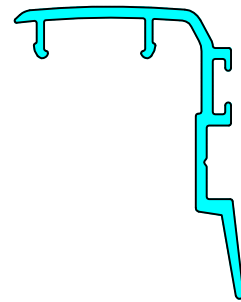
Wt: 2.90 Kgs./12'

Sec. No.-9653



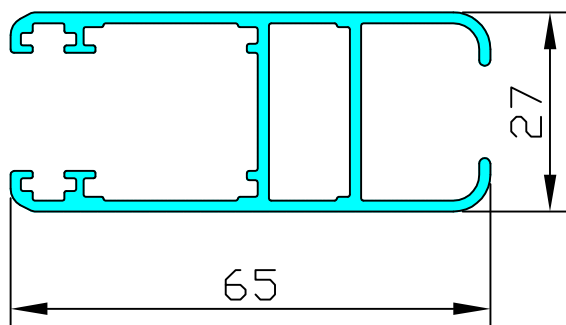
Wt: 5.80 Kgs./12'

Sec. No.-9655



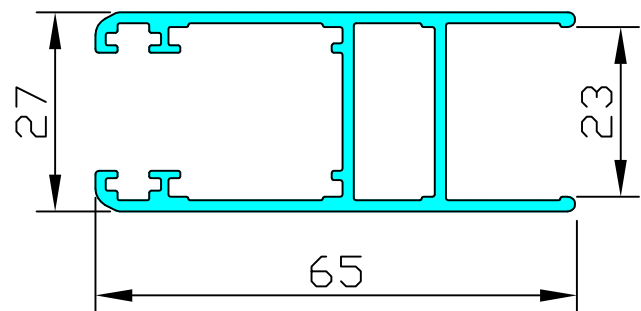
Wt: 1.25 Kgs./12'

Sec. No.-9657



Wt: 3.10 Kgs./12'

Sec. No.-9656

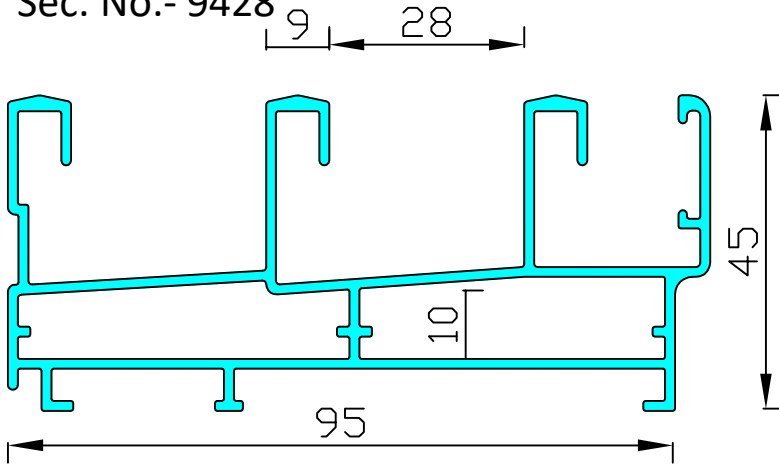


Wt: 3.00 Kgs./12'



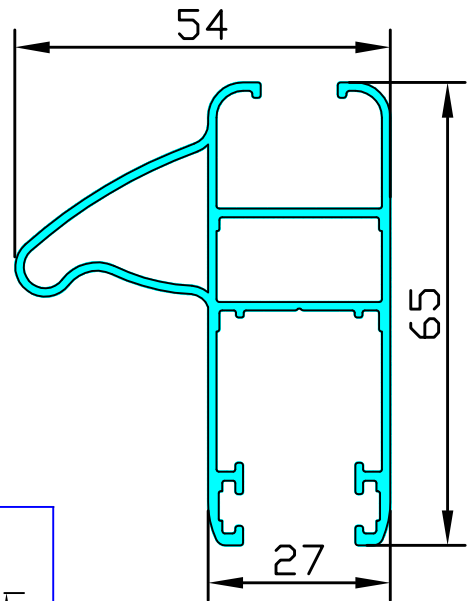
# BOMBAY ALUMINIUM PVT. LTD.

Sec. No.- 9428



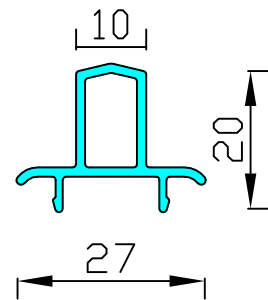
Wt: 6.200 Kgs./12'

Sec. No.- 9571

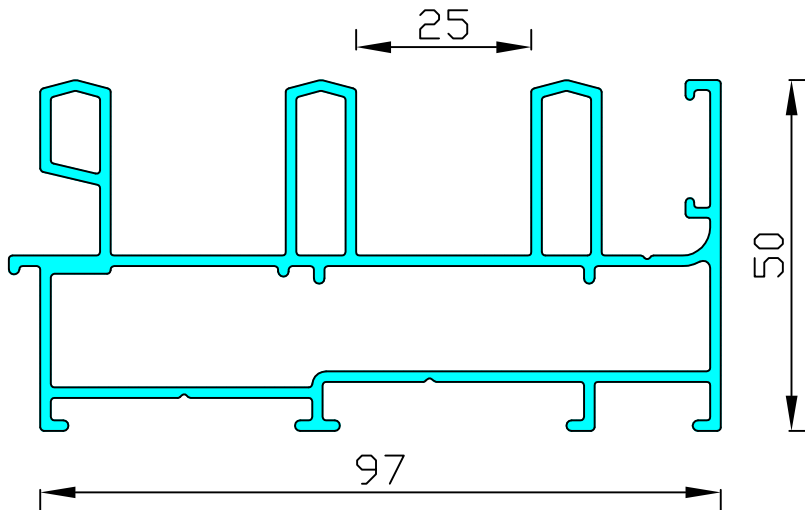


Wt: 3.40 Kgs./12'

Sec. No.-9468

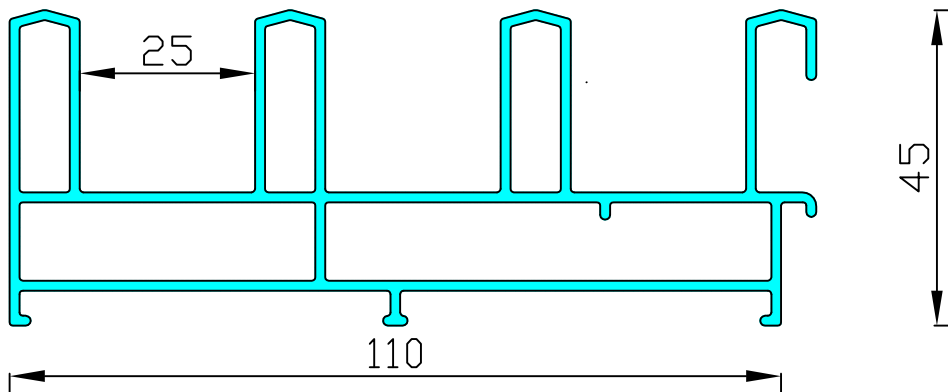


Wt: 1.160 Kgs./12'



Sec. No.- 9469

Wt: 7.100 Kgs./12'

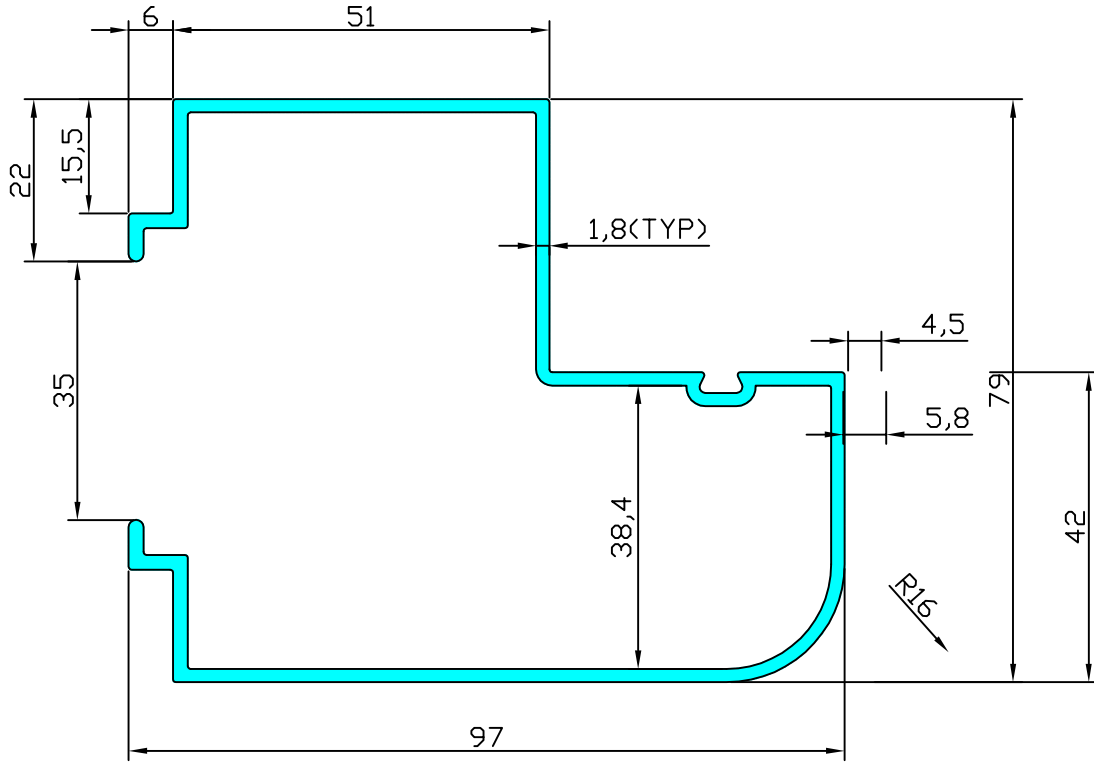


Sec. No.-9429

Weight: 7.10 Kgs./12'

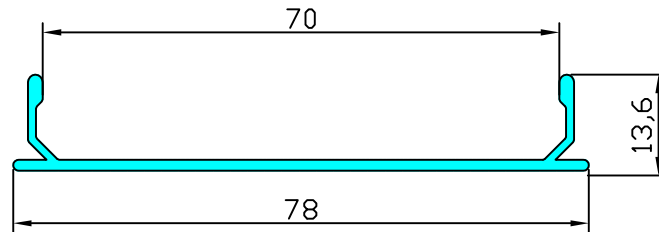


## Sec. No.-9281



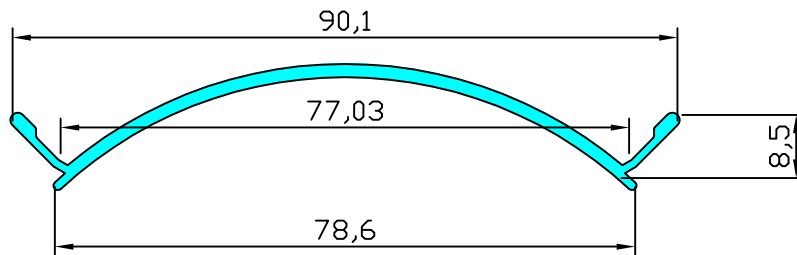
Wt: 5.60 Kgs./12'

## Sec. No.-9282



Wt: 1.50 Kgs./12'

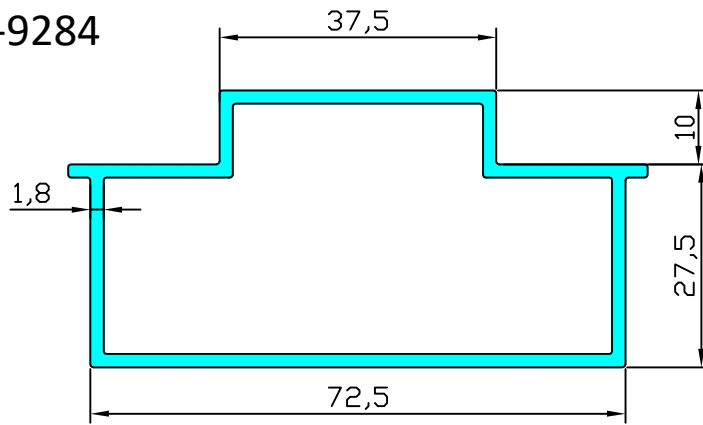
## Sec. No.-9283



Wt: 1.80 Kgs./12'

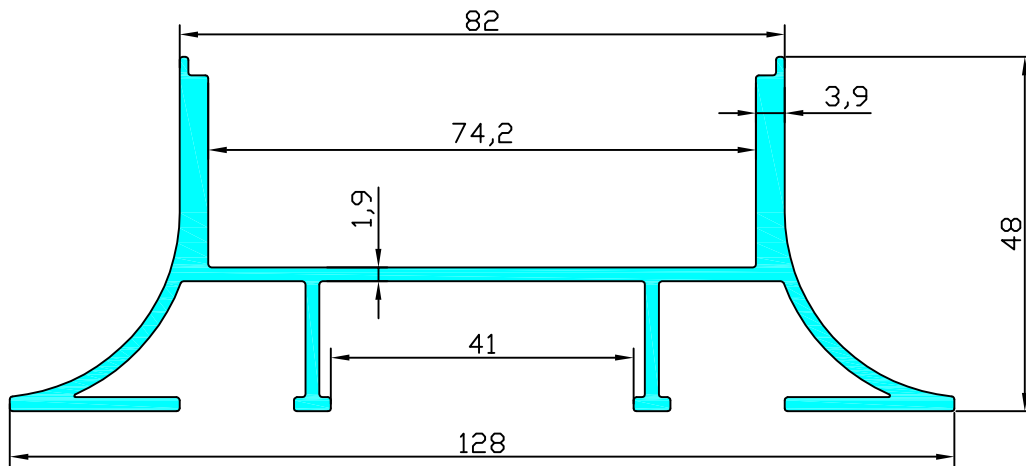


Sec. No.-9284



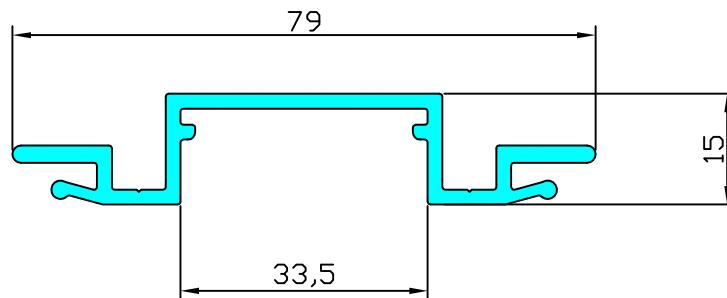
Wt: 3.90 Kgs./12'

Sec. No.-9285



Wt: 6.30 Kgs./12'

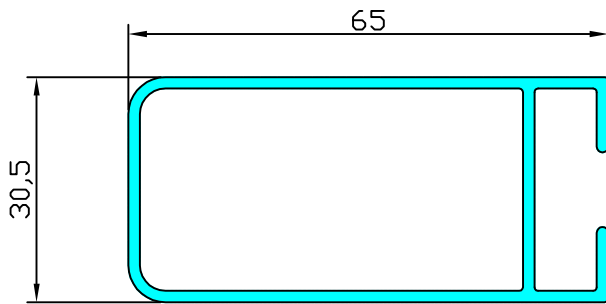
Sec. No.-9280



Wt: 2.70 Kgs./12'

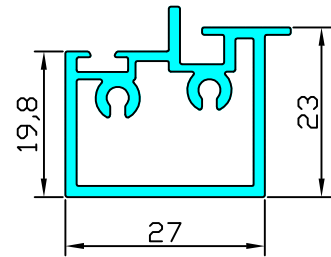


Sec. No.-9286



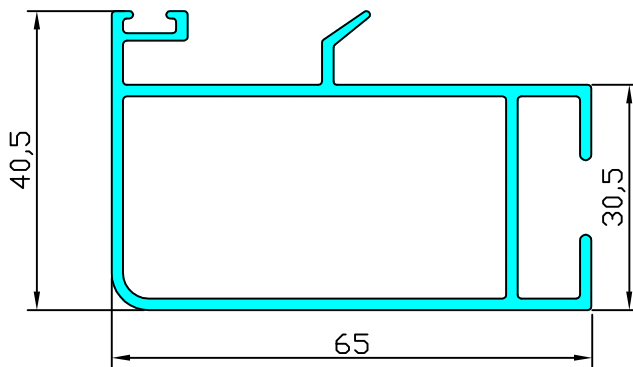
Wt: 3.050 Kgs./12'

Sec. No.-9288



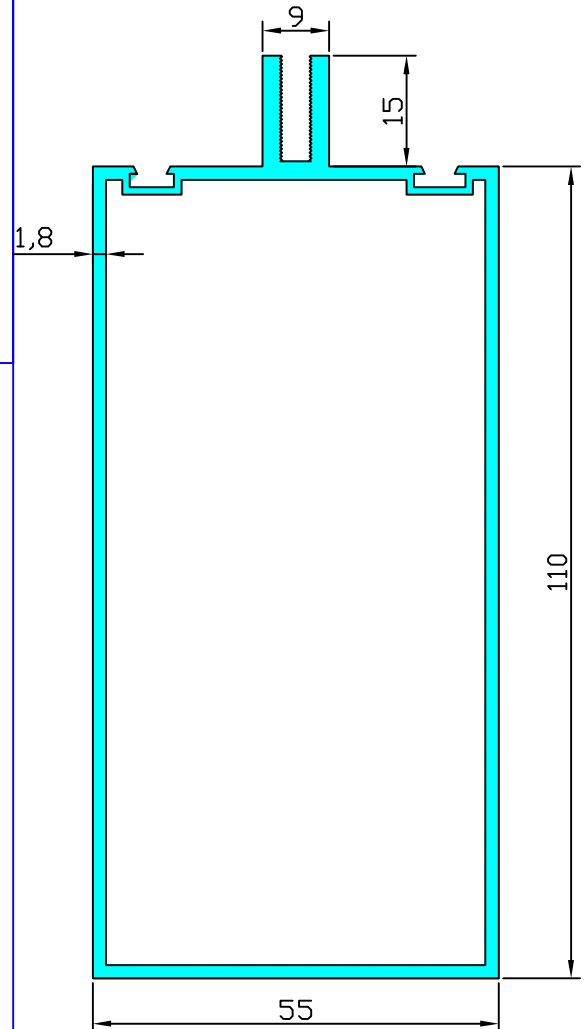
Wt: 1.65 Kgs./12'

Sec. No.-9287



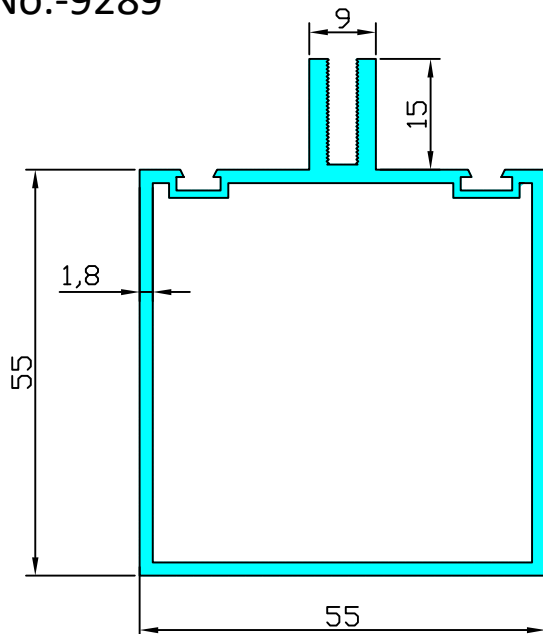
Wt: 3.50 Kgs./12'

Sec. No.-9290



Wt: 7.20 Kgs./12'

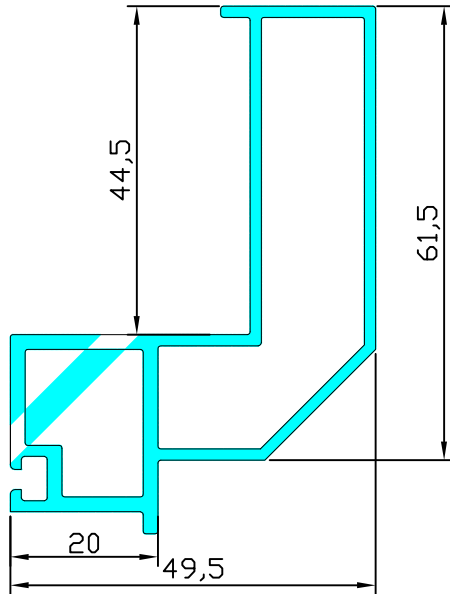
Sec. No.-9289



Wt: 5.00 Kgs./12'

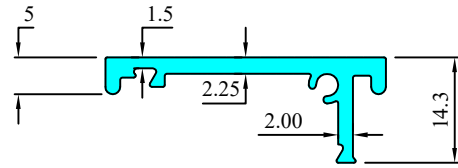


Sec. No.-9291



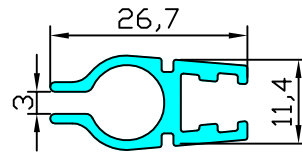
Wt: 4.60 Kgs./12'

Sec. No.-9292



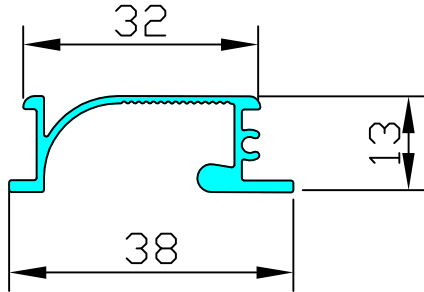
Wt: 1.250 Kgs./12'

Sec. No.-9294



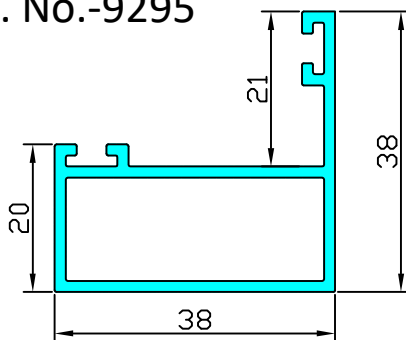
Wt: 1.150 Kgs./12'

Sec. No.-15004



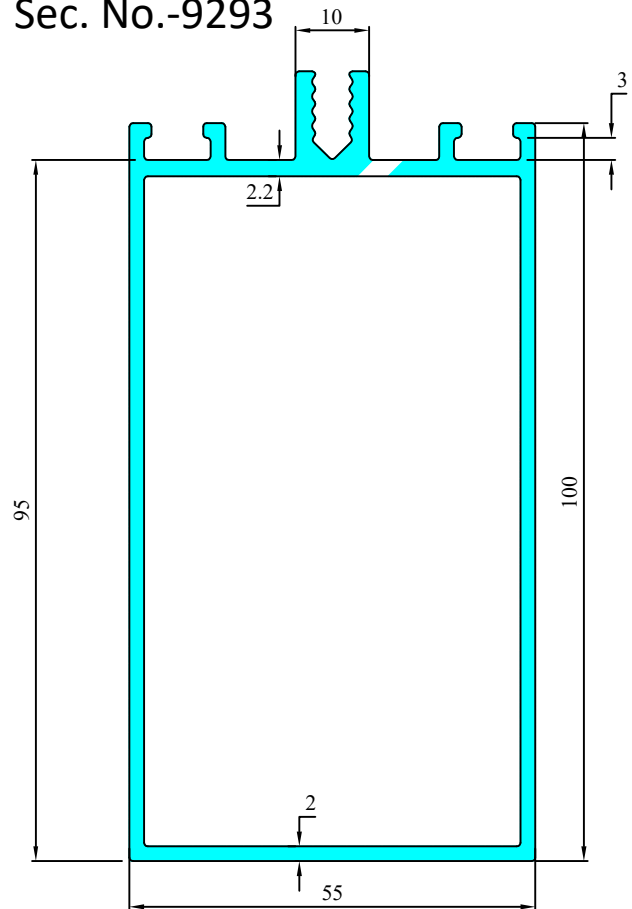
Wt: 4.20 Kgs./12'

Sec. No.-9295



Wt: 2.250 Kgs./12'

Sec. No.-9293

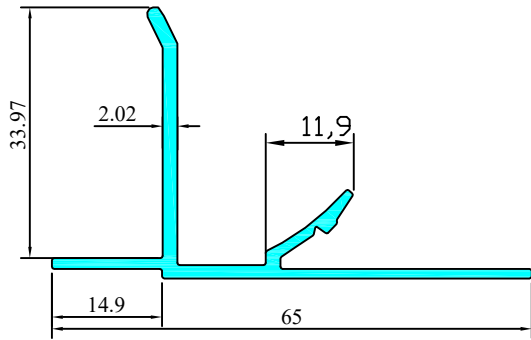


Wt: 7.20 Kgs./12'



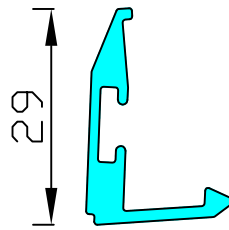


Sec. No.-9520



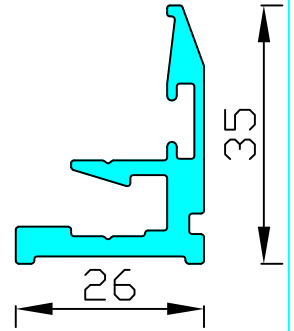
Wt: 1.950 Kgs./12'

Sec. No.-9517



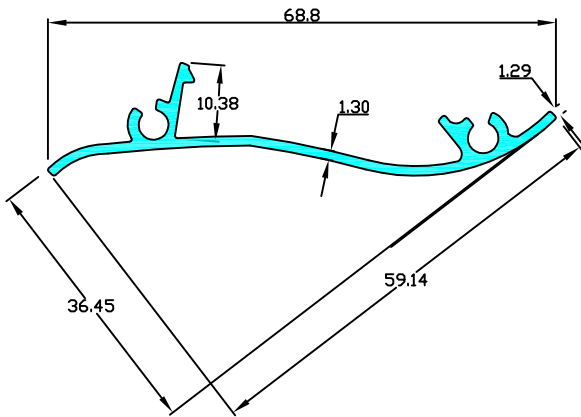
Wt: 1.20 Kgs./12'

Sec. No.-9518



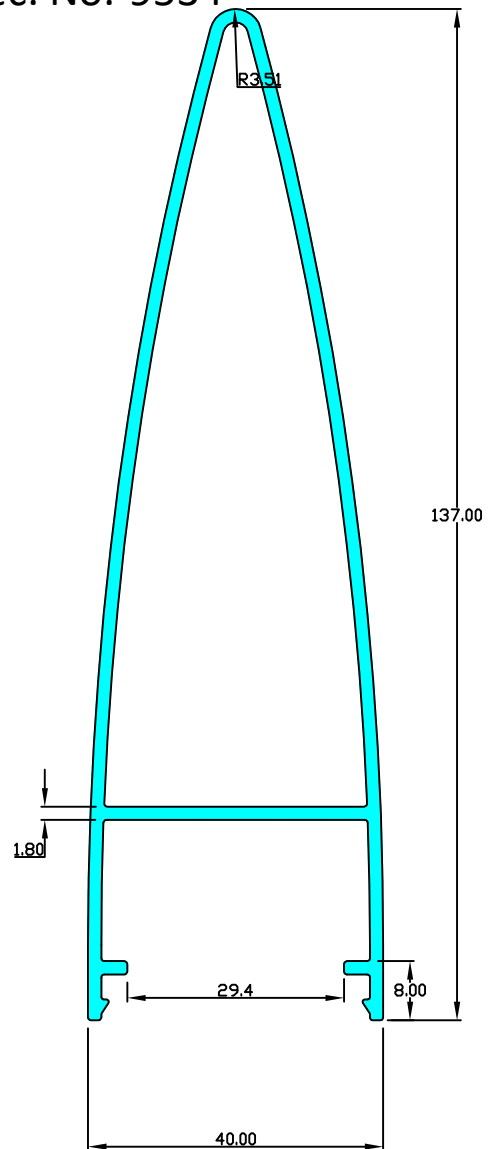
Wt: 2.50 Kgs./12'

Sec. No.-9519



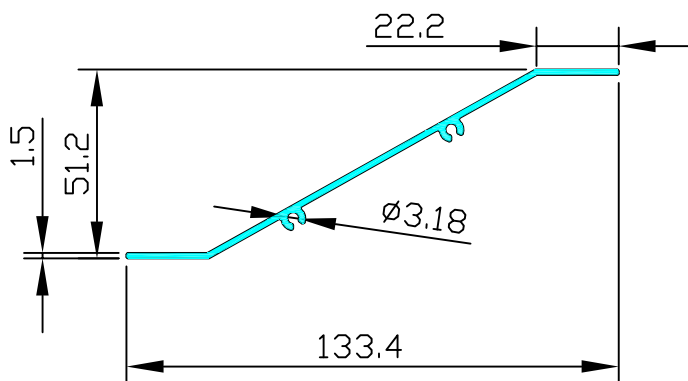
Wt: 1.40 Kgs./12'

Sec. No.-9534



Wt: 5.80 Kgs./12'

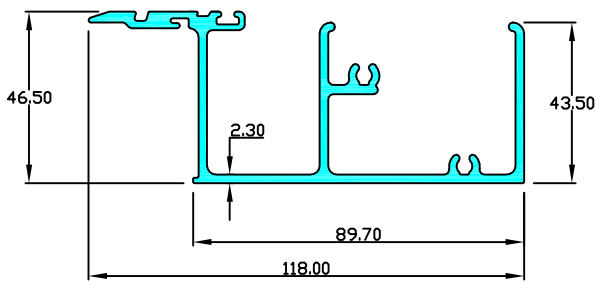
Sec. No.-9560



Wt: 2.650 Kgs./12'

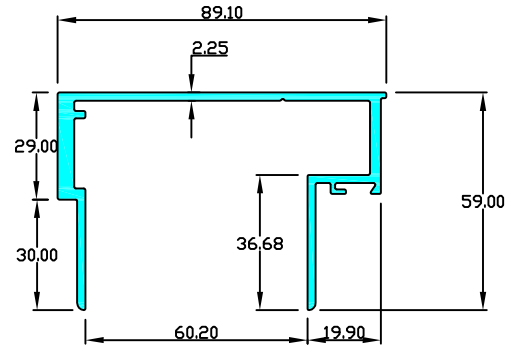


Sec. No.-9521



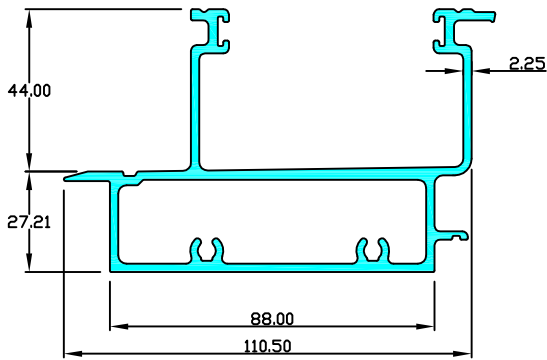
Wt: 7.30 Kgs./12'

Sec. No.-9522



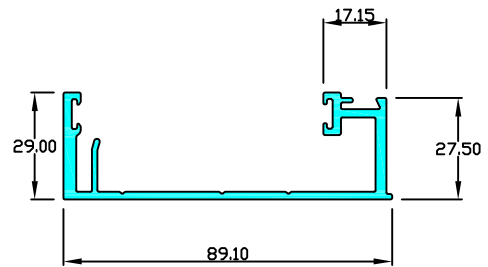
Wt: 5.90 Kgs./12'

Sec. No.-9523



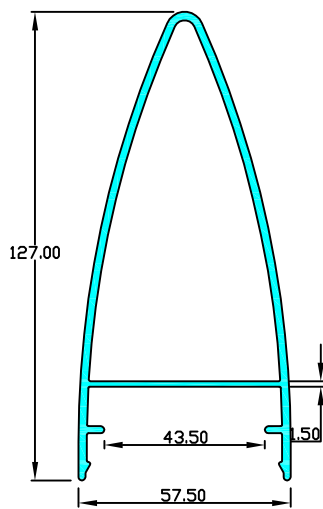
Wt: 9.90 Kgs./12'

Sec. No.-9524



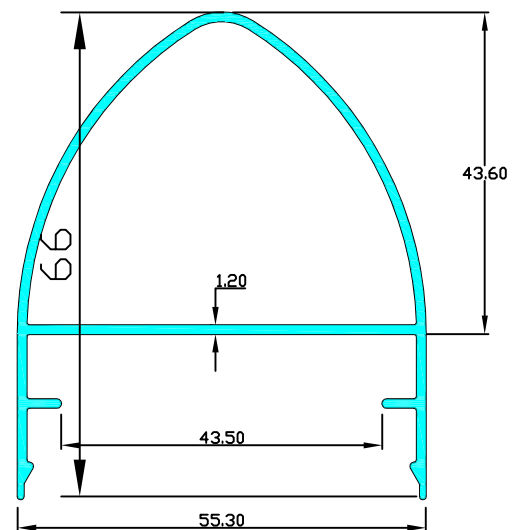
Wt: 4.30 Kgs./12'

Sec. No.-9525



Wt: 7.80 Kgs./12'

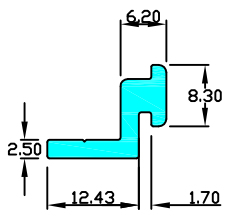
Sec. No.-9526



Wt: 3.10 Kgs./12'

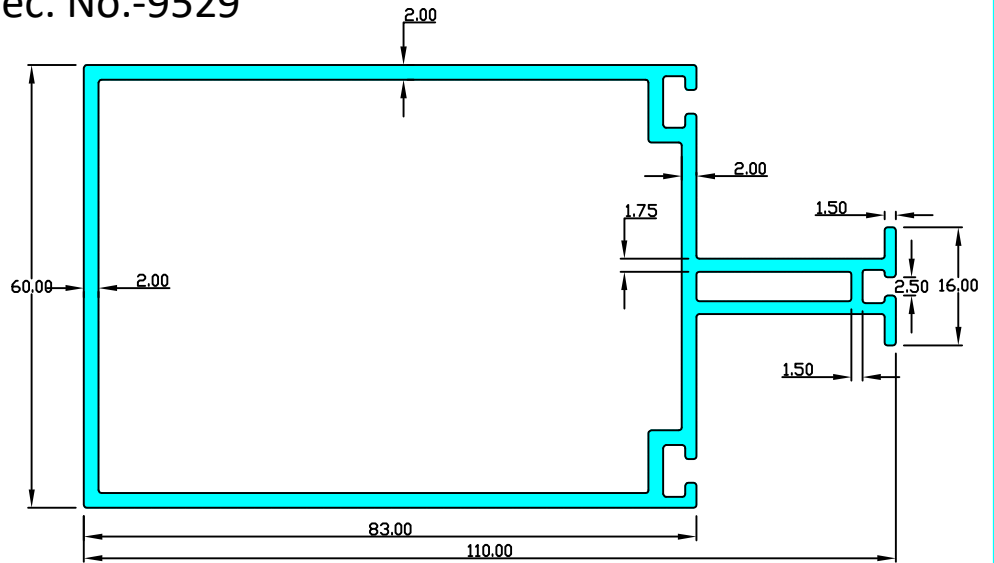


Sec. No.-9533



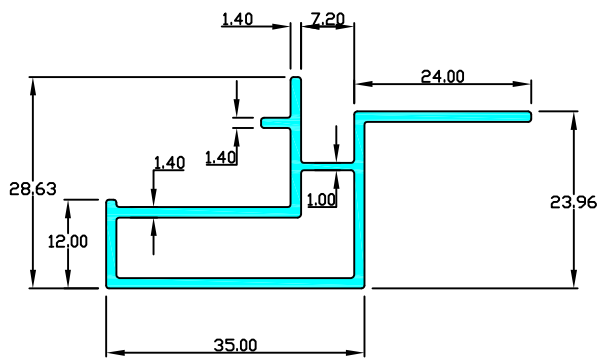
Wt: 0.70 Kgs./12'

Sec. No.-9529



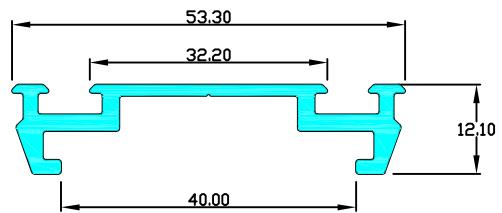
Wt: 7.20 Kgs./12'

Sec. No.-9530



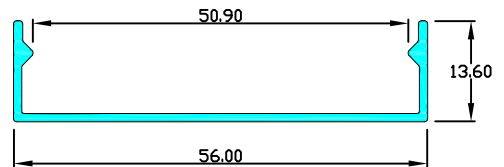
Wt: 2.00 Kgs./12'

Sec. No.-9527



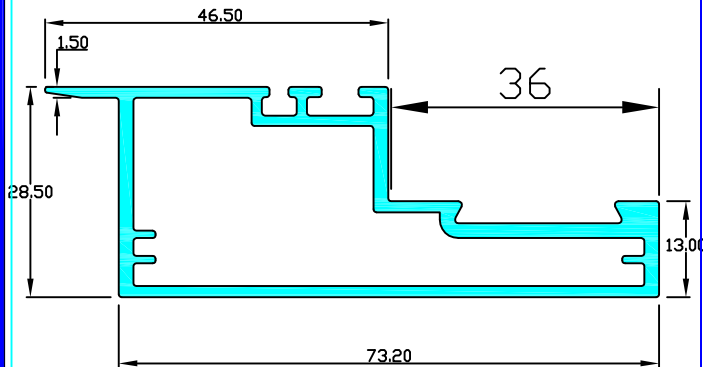
Wt: 1.750 Kgs./12'

Sec. No.-9528



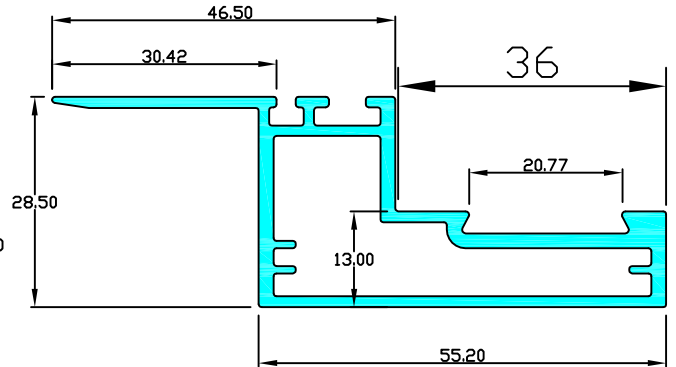
Wt: 0.950 Kgs./12'

Sec. No.-9531



Wt: 3.950 Kgs./12'

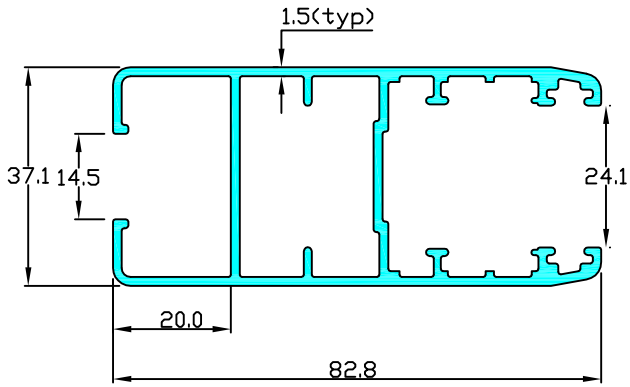
Sec. No.-9532



Wt: 3.750 Kgs./12'

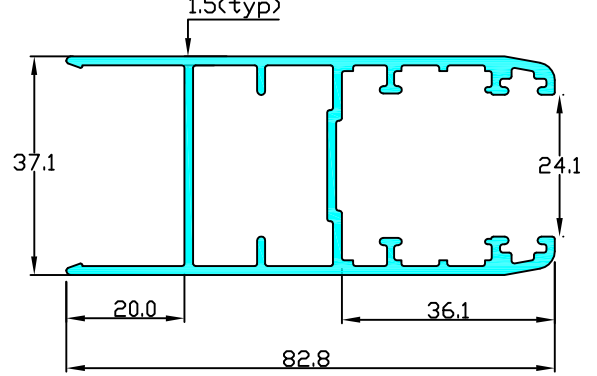


Sec. No.-9501



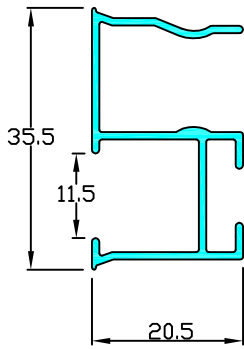
Wt: 4.80 Kgs./12'

Sec. No.-9503



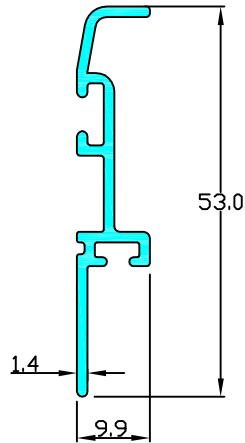
Wt: 4.50 Kgs./12'

Sec. No.-9505



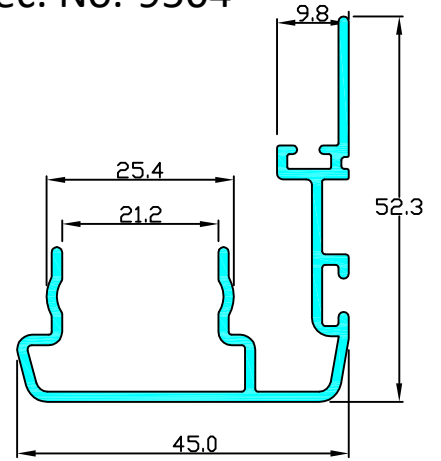
Wt: 1.20 Kgs./12'

Sec. No.-9506



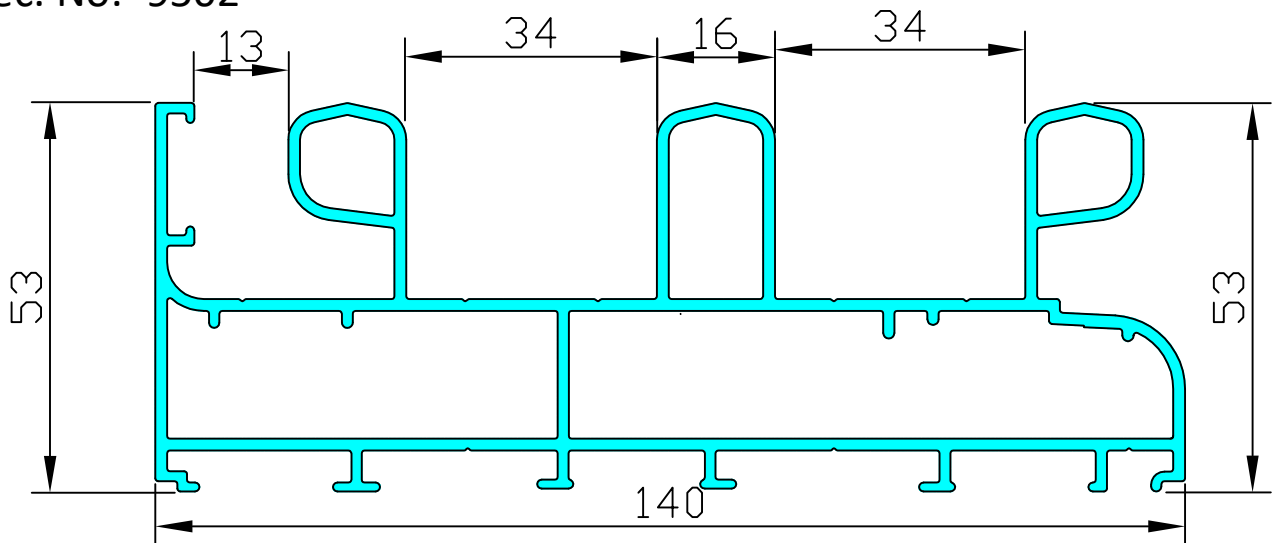
Wt: 1.80 Kgs./12'

Sec. No.-9504



Wt: 2.40 Kgs./12'

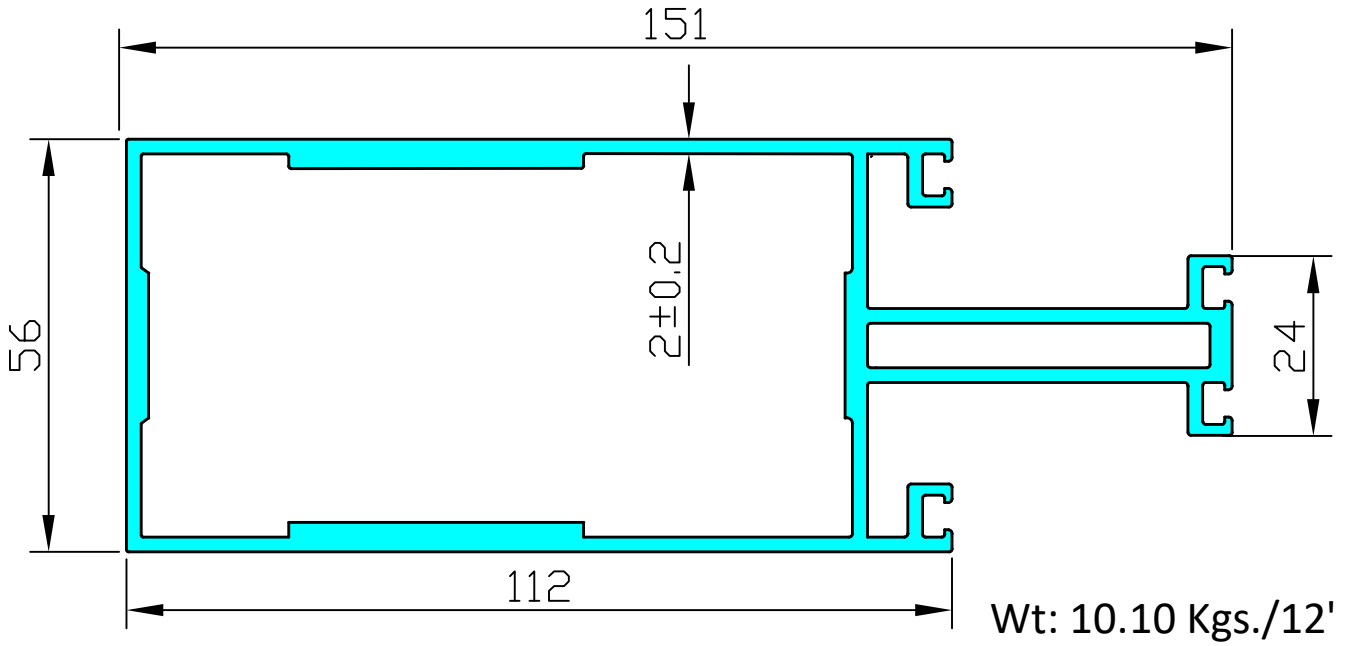
Sec. No.- 9502



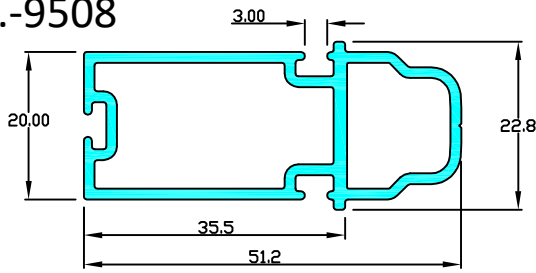
Wt: 10.800 Kgs./12'



Sec. No.-9548

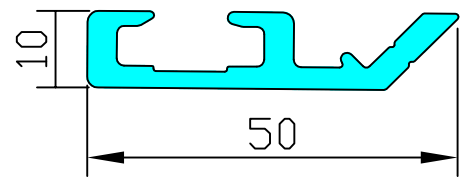


Sec. No.-9508



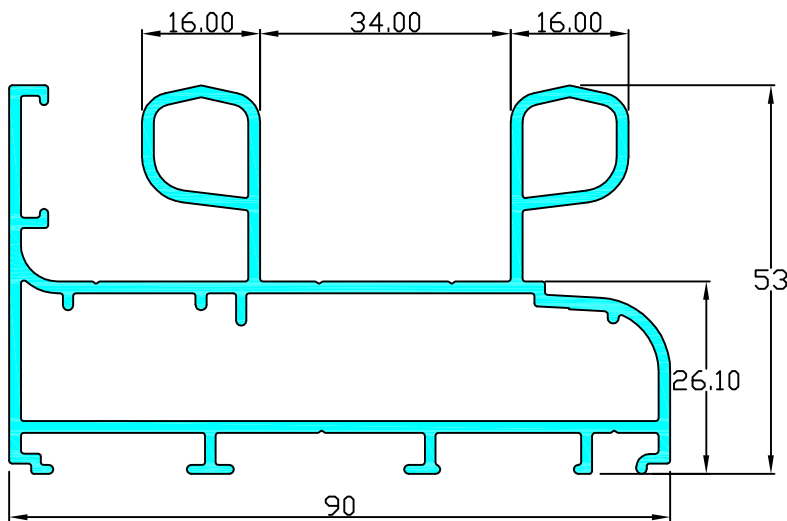
Wt: 2.60 Kgs./12'

Sec. No.-9319



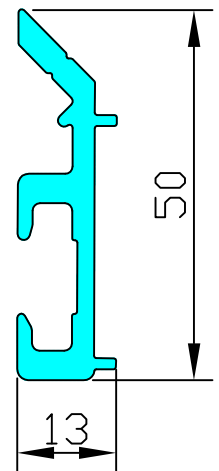
Wt: 2.40 Kgs./12'

Sec. No.-9507



Wt: 6.70 Kgs./12'

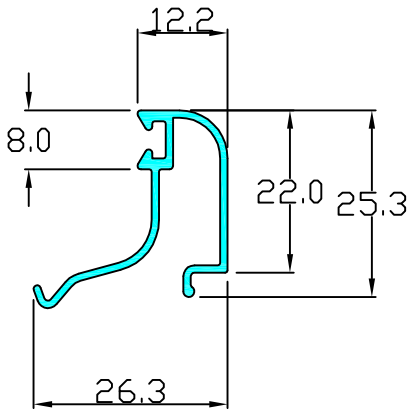
Sec. No.-9320



Wt: 2.50 Kgs./12'

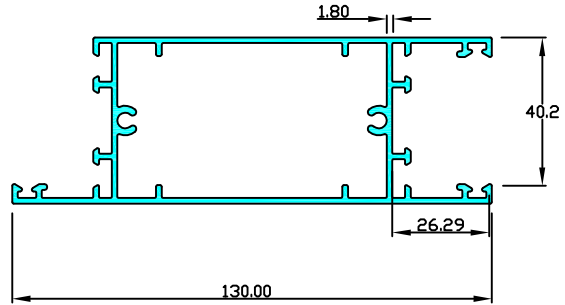


Sec. No.- 9515



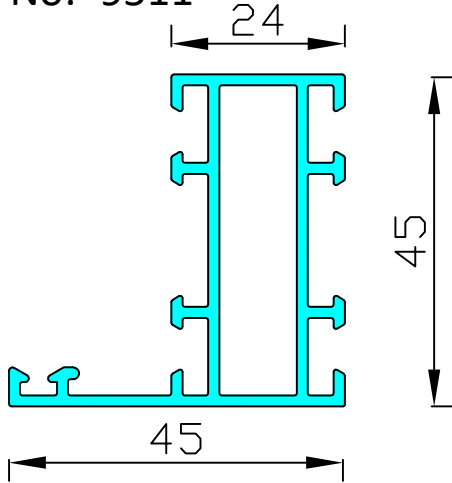
Wt: 0.80 Kgs./12'

Sec. No.- 9516



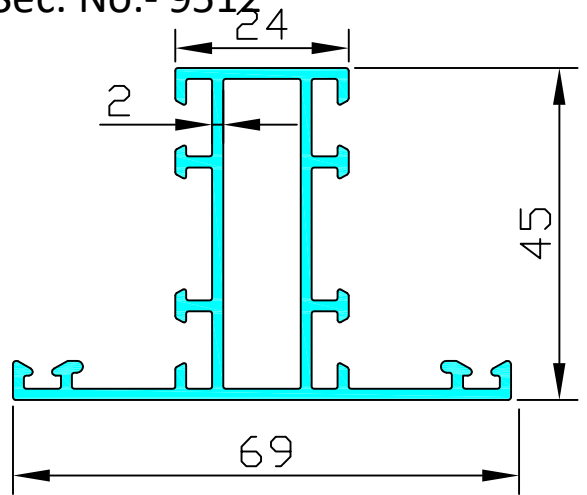
Wt: 6.70 Kgs./12'

Sec. No.- 9511



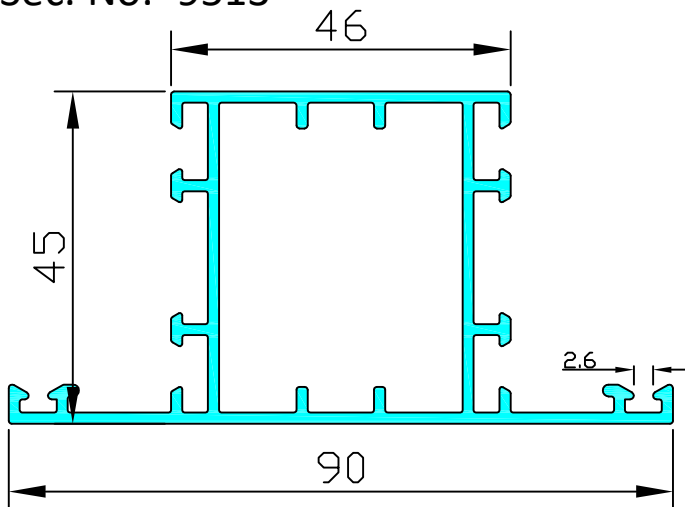
Wt: 2.90 Kgs./12'

Sec. No.- 9512



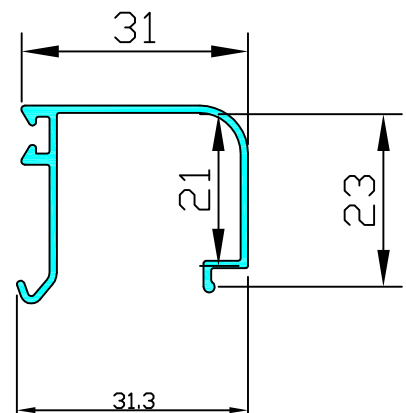
Wt: 3.70 Kgs./12'

Sec. No.- 9513



Wt: 4.60 Kgs./12'

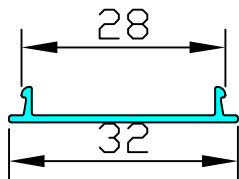
Sec. No.- 9514



Wt: 1.00 Kgs./12'

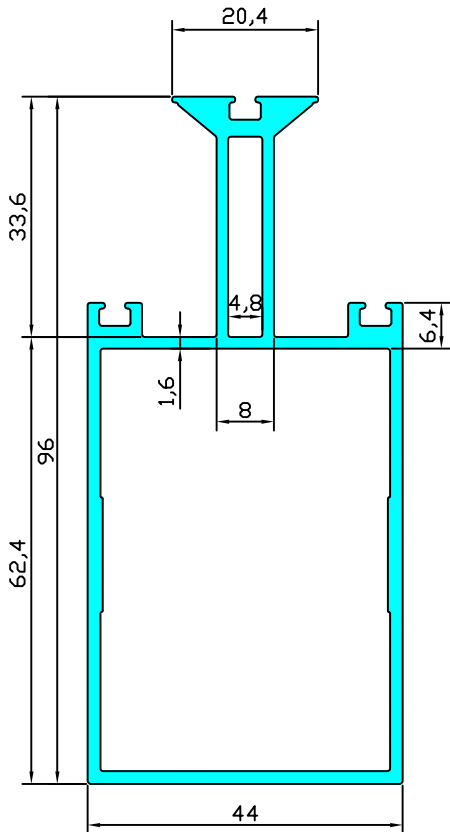


Sec. No.-9535



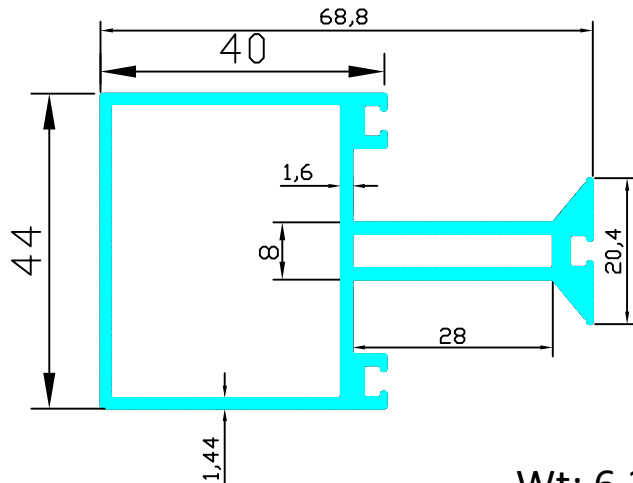
Wt: 0.650 Kgs./12'

Sec. No.-9537



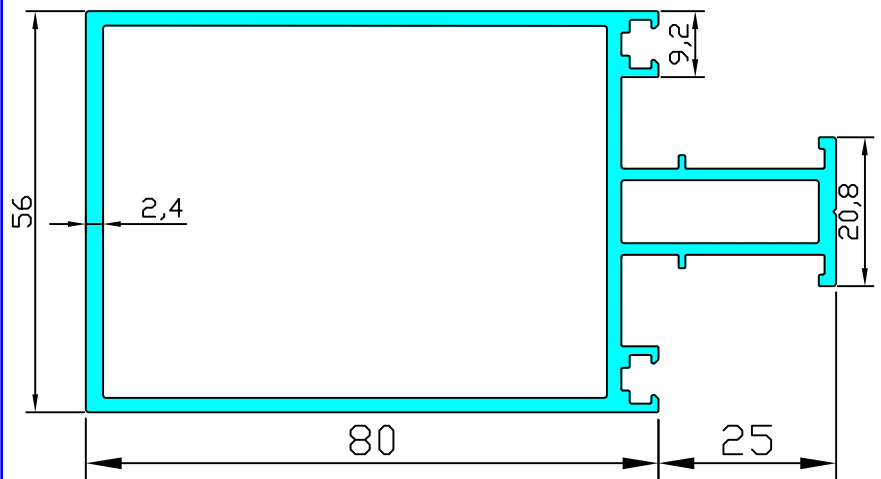
Wt: 9.550 Kgs./12'

Sec. No.-9536



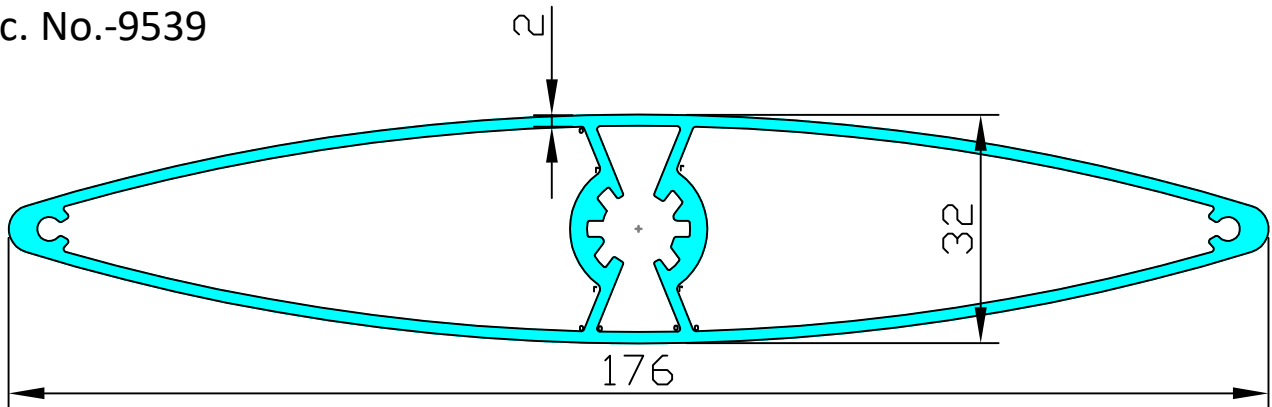
Wt: 6.20 Kgs./12'

Sec. No.-9538



Wt: 10.550 Kgs./12'

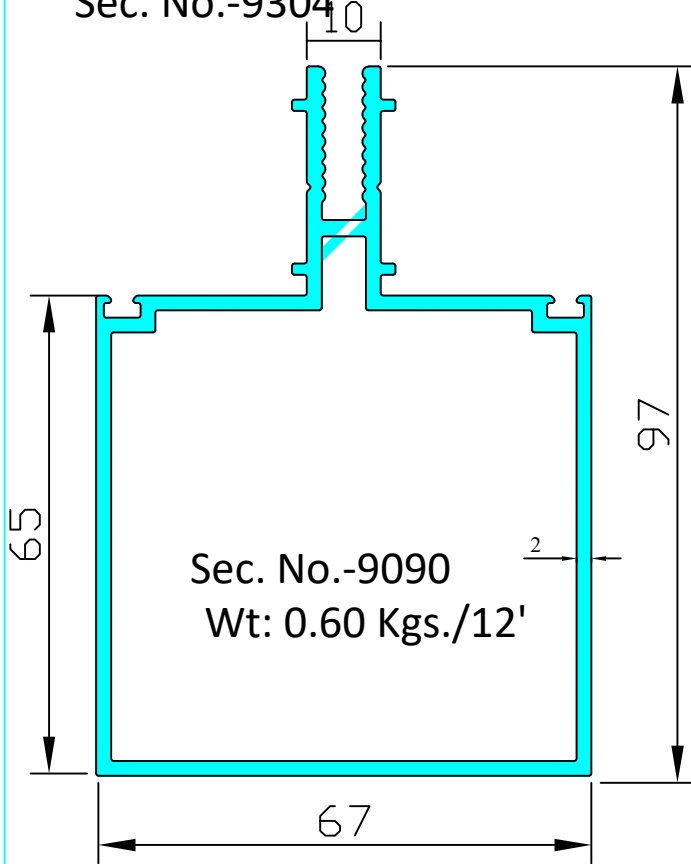
Sec. No.-9539



Wt: 12.250 Kgs./12'



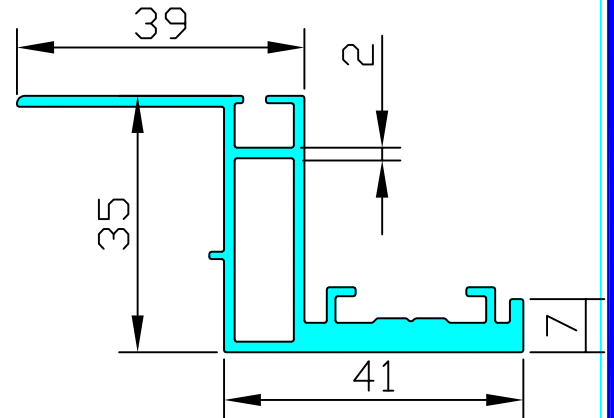
Sec. No.-9304



Sec. No.-9090  
Wt: 0.60 Kgs./12'

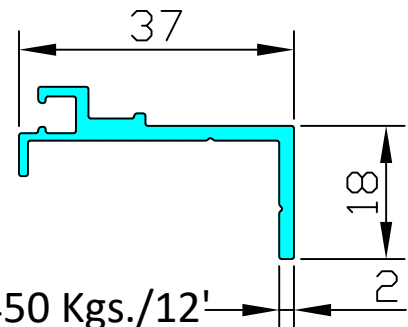
Wt: 6.80 Kgs./12'

Sec. No.-9297



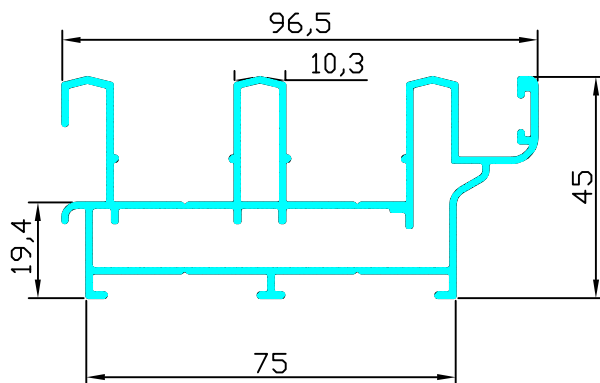
Wt: 3.250 Kgs./12'

Sec. No.-9298



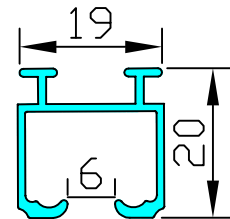
Wt: 1.450 Kgs./12'

Sec. No.-9543



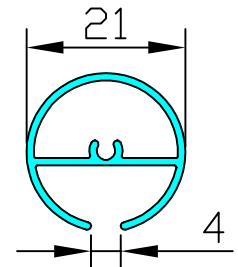
Wt: 6.20 Kgs./12'

Sec. No.-9544



Wt: 0.850 Kgs./12'

Sec. No.-9545

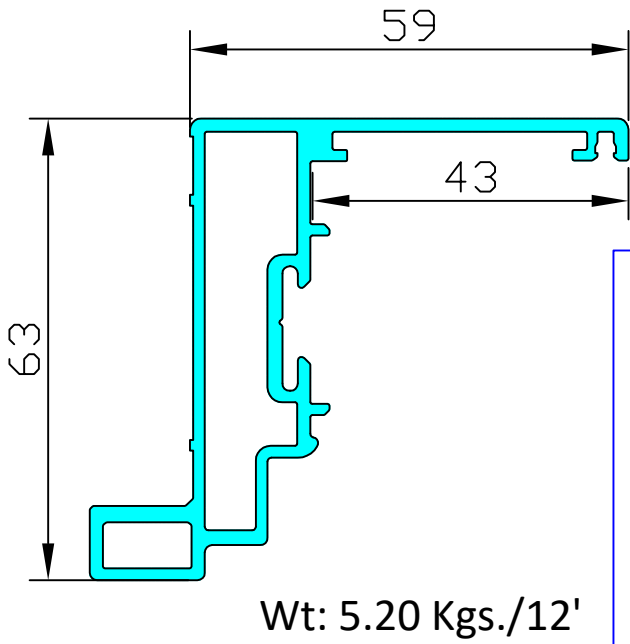


Wt: 1.050 Kgs./12'

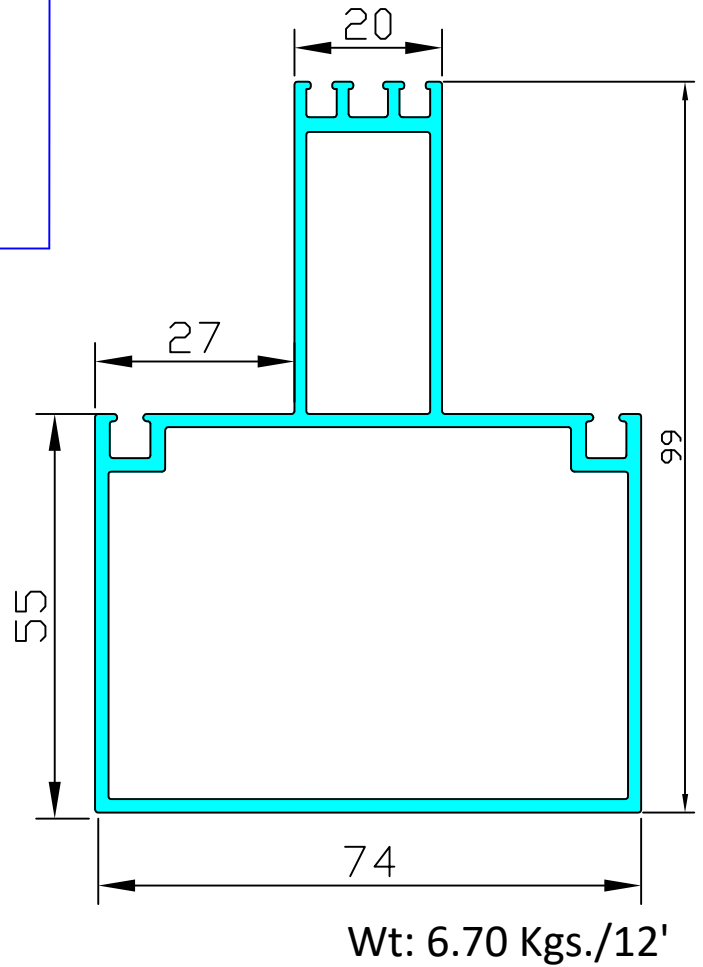




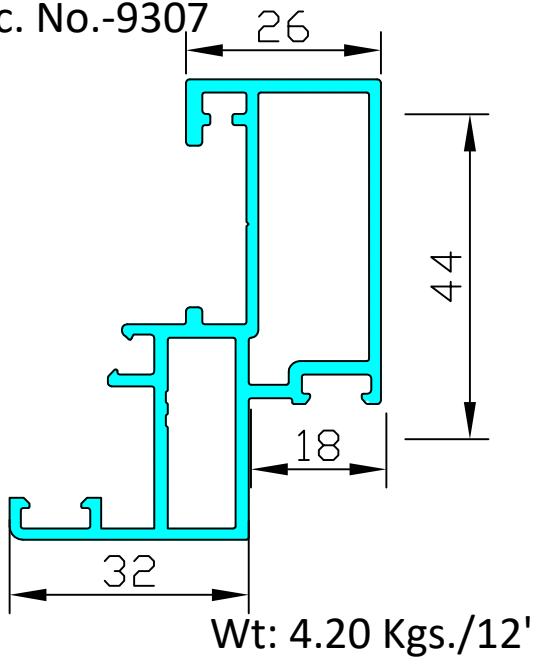
Sec. No.-9306



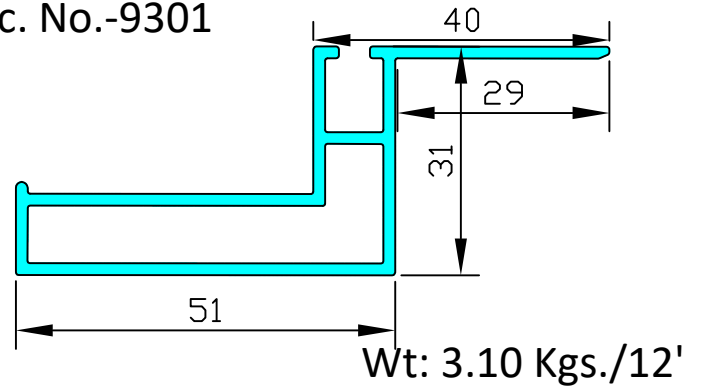
Sec. No.-9302



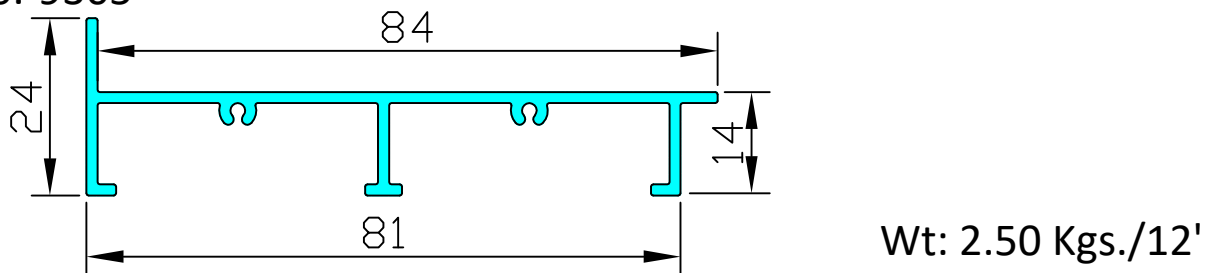
Sec. No.-9307



Sec. No.-9301

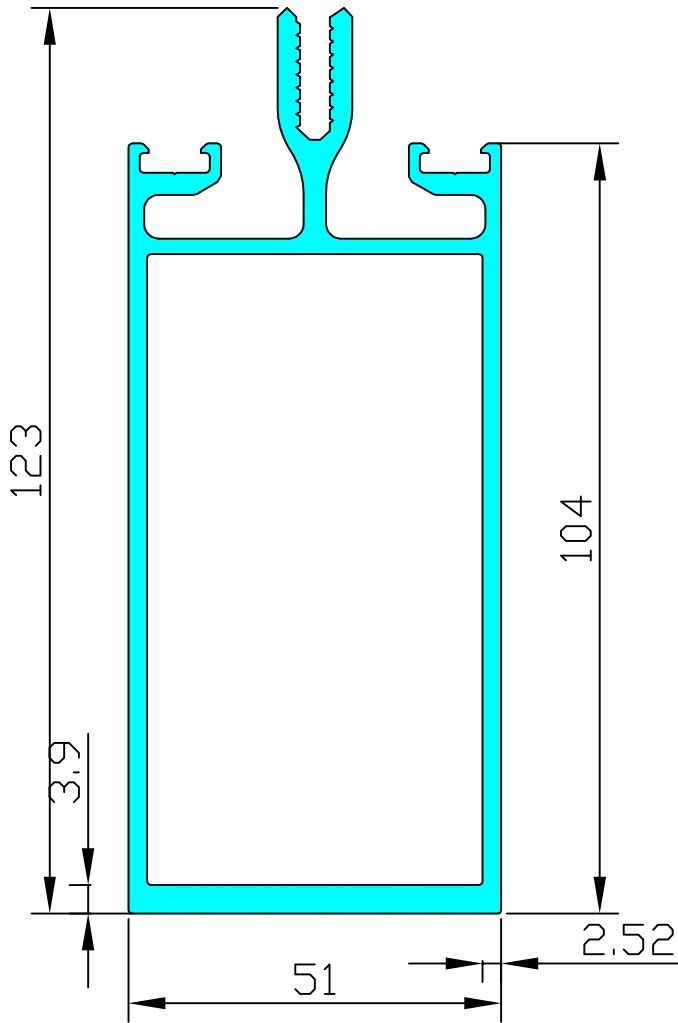


Sec. No.-9305



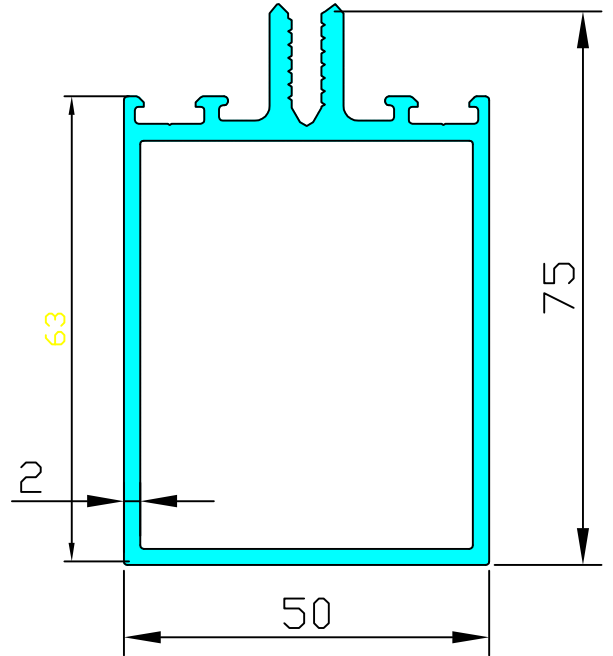


Sec. No.- 9308



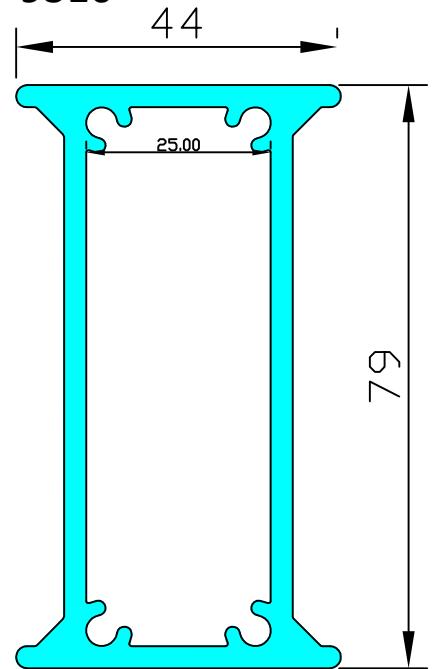
Wt: 10.20 Kgs./12'

Sec. No.- 9309



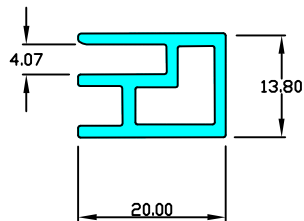
Wt: 6.80 Kgs./12'

Sec. No.- 9310



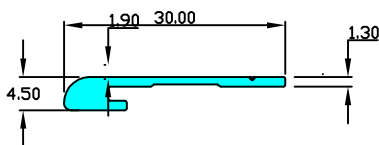
Wt: 7.70 Kgs./12'

Sec. No.- 9311



Wt: 1.20 Kgs./12'

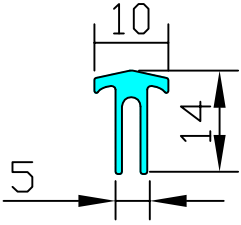
Sec. No.- 9073



Wt: 0.50 Kgs./12'

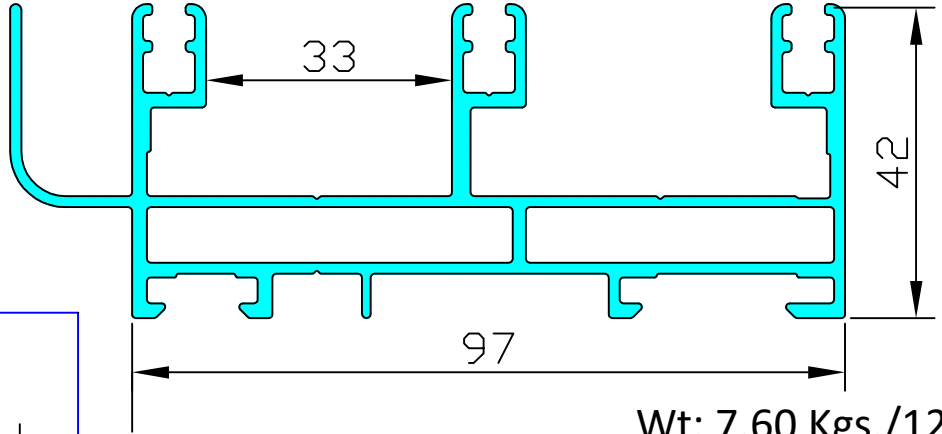


Sec. No.- 9318



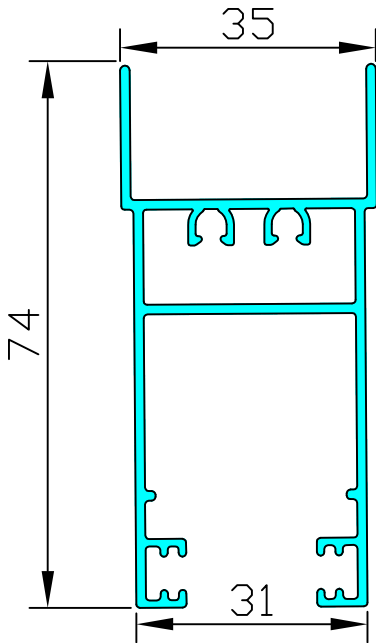
Wt: 0.520 Kgs./12'

Sec. No.- 9312



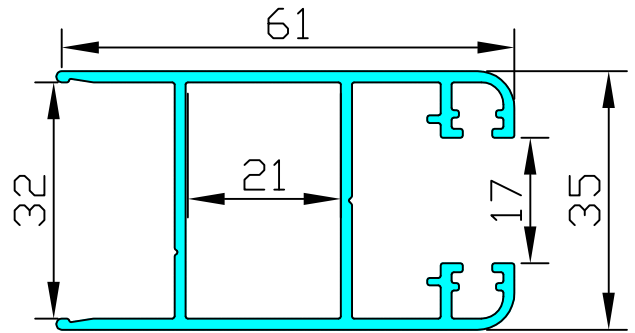
Wt: 7.60 Kgs./12'

Sec. No.- 9313



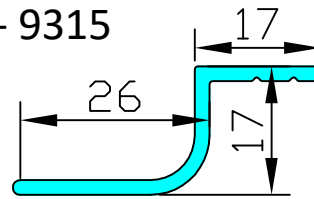
Wt: 3.40 Kgs./12'

Sec. No.- 9314



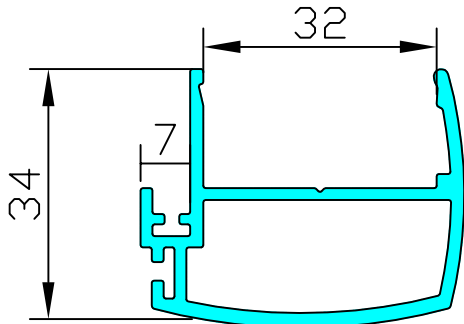
Wt: 3.40 Kgs./12'

Sec. No.- 9315



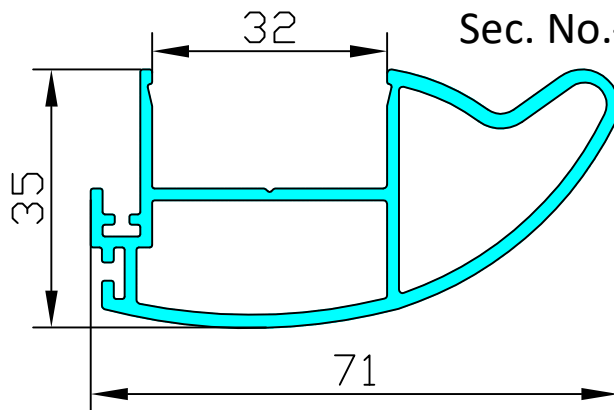
Wt: 1.20 Kgs./12'

Sec. No.- 9316



Wt: 2.90 Kgs./12'

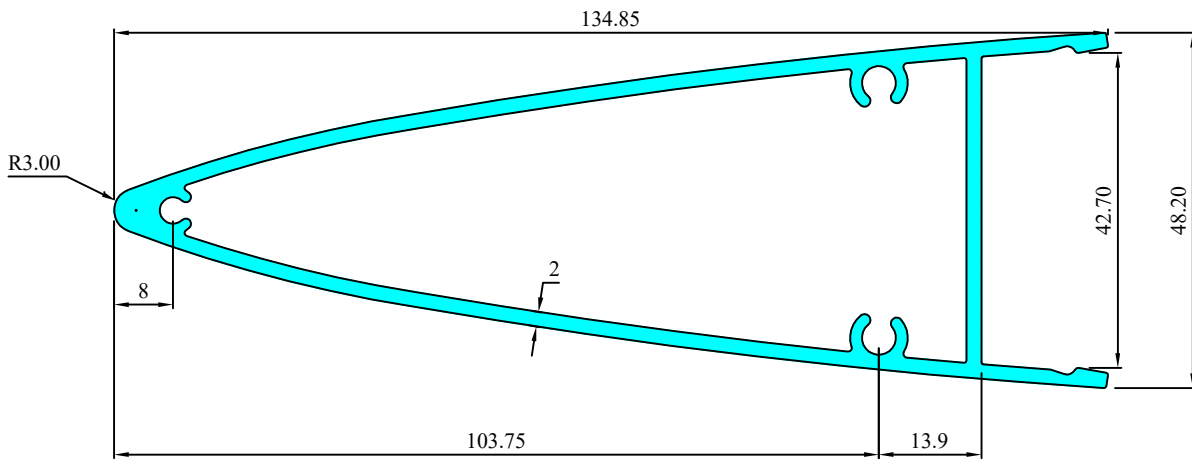
Sec. No.- 9317



Wt: 4.10 Kgs./12'

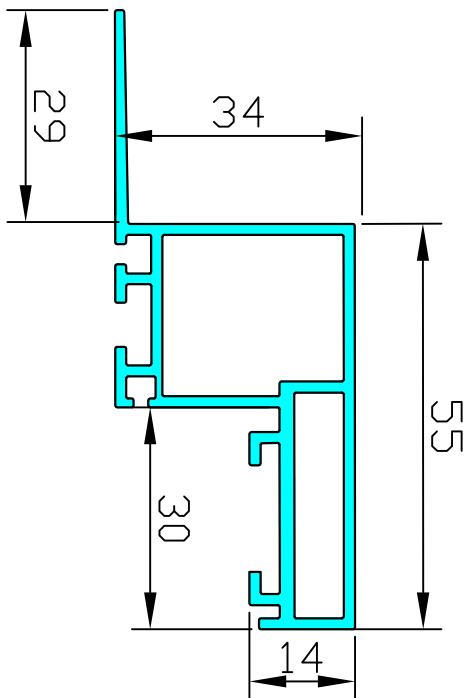


## Sec. No.- 9303



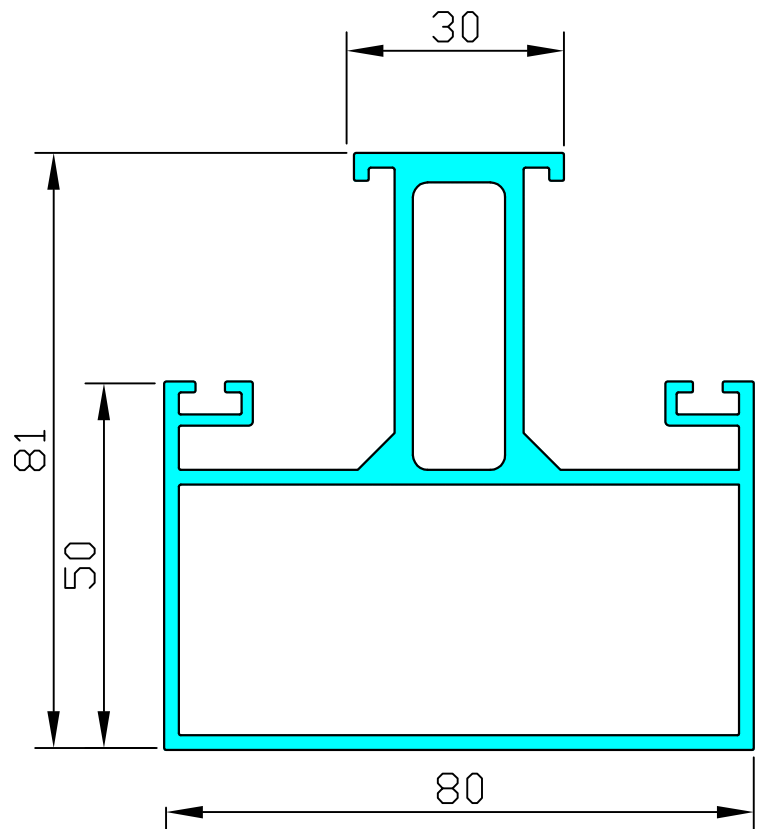
Wt: 7.00 Kgs./12'

## Sec. No.- 9541



Wt: 3.80 Kgs./12'

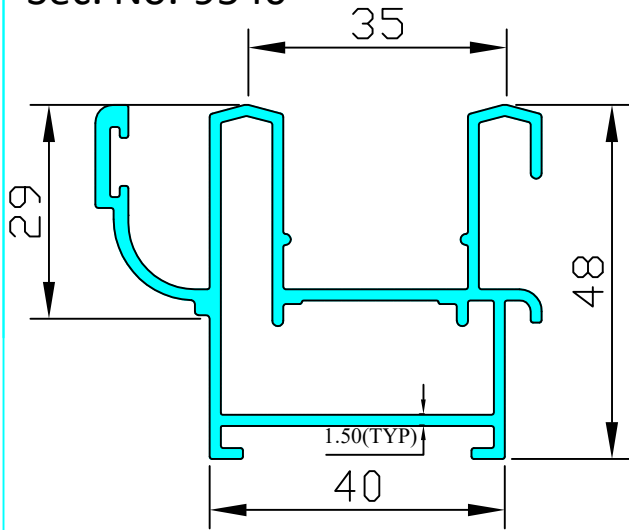
## Sec. No.- 9542



Wt: 9.20 Kgs./12'

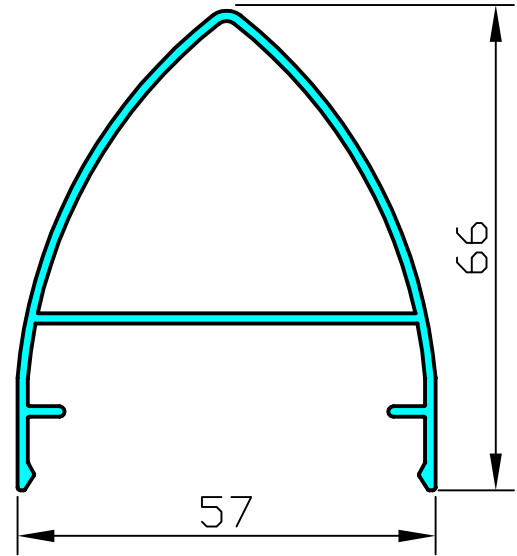


Sec. No.-9540



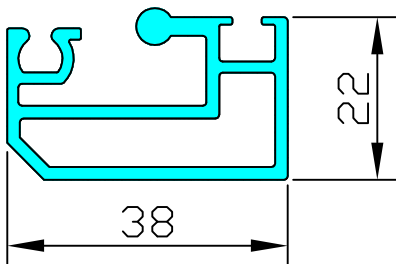
Wt: 4.050 Kgs./12'

Sec. No.-9547



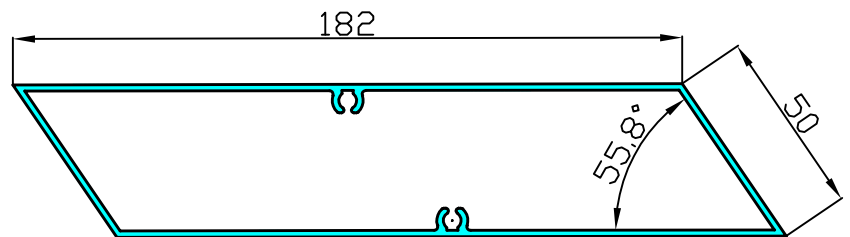
Wt: 2.950 Kgs./12'

Sec. No.- 9324



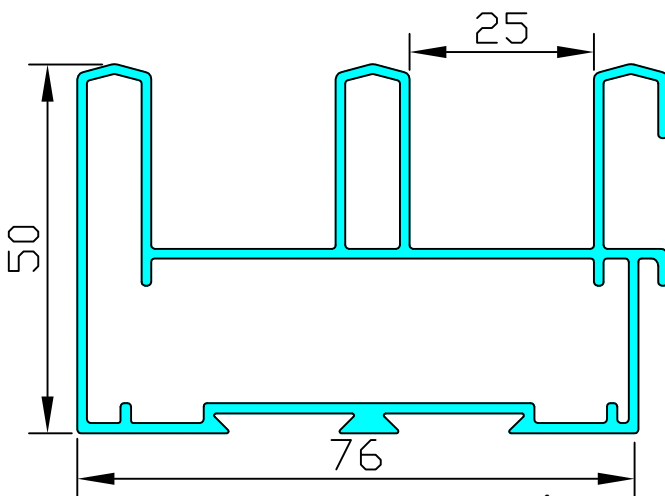
Wt: 2.650 Kgs./12'

Sec. No.- 9546



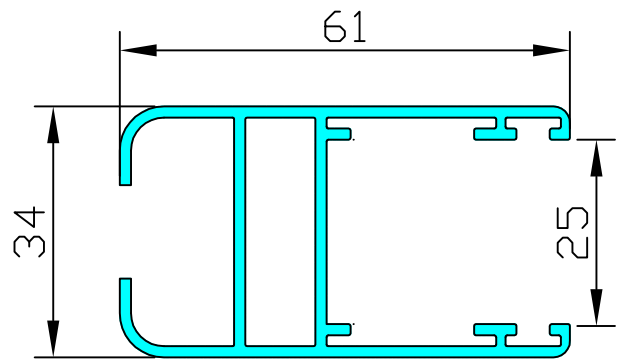
Wt: 8.250 Kgs./12'

Sec. No.-9321



Wt: 5.10 Kgs./12'

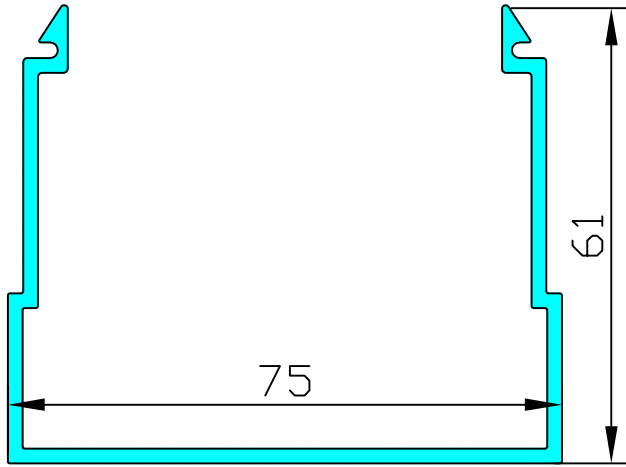
Sec. No.- 9331



Wt: 3.10 Kgs./12'

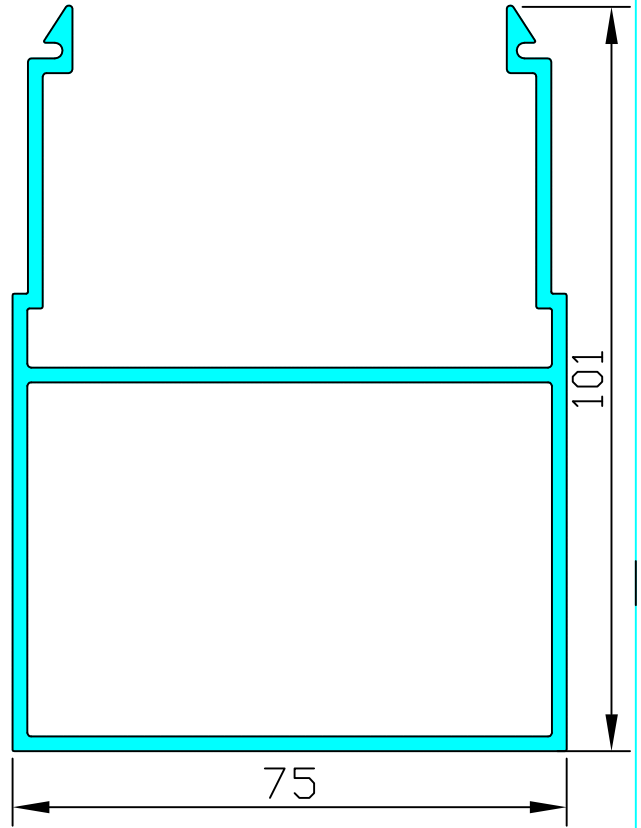


Sec. No.-9325



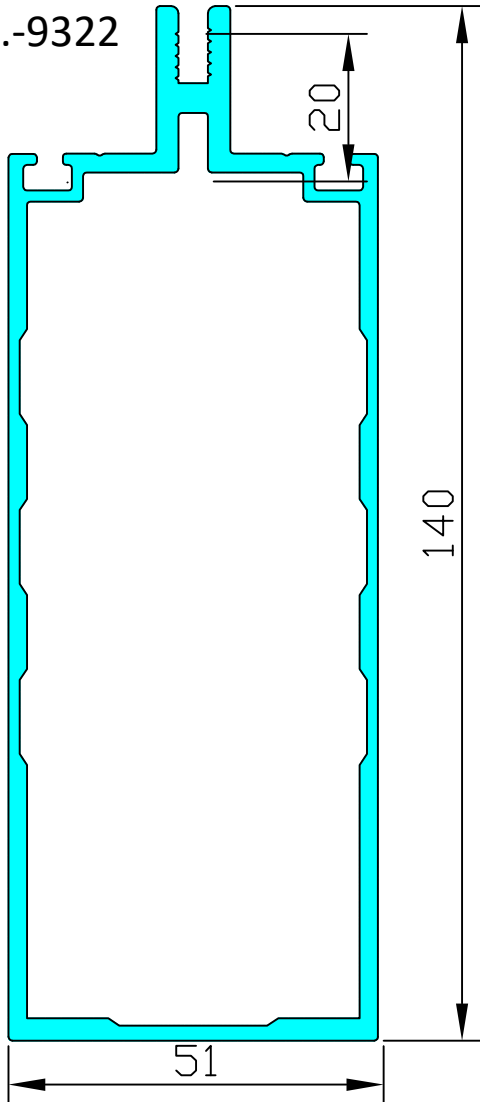
Wt: 3.90 Kgs./12'

Sec. No.-9326



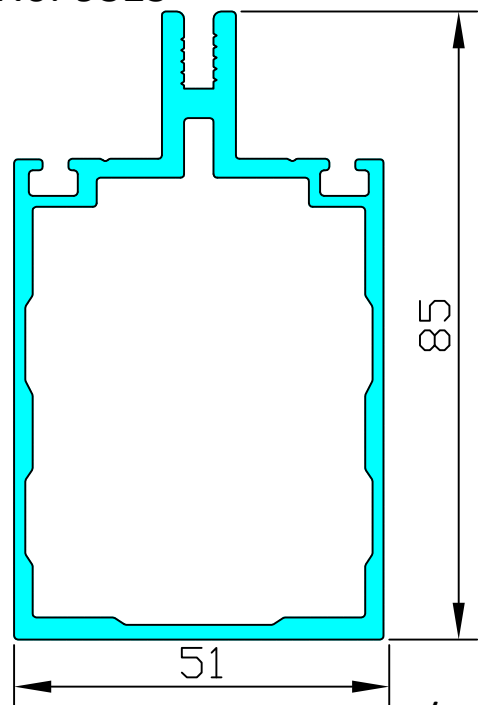
Wt: 7.10 Kgs./12'

Sec. No.-9322



Wt: 8.90 Kgs./12'

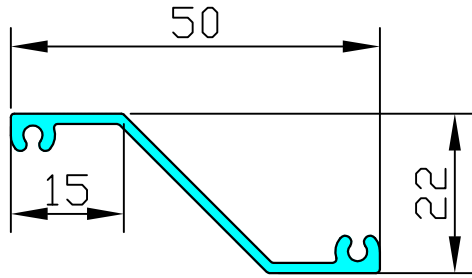
Sec. No.-9323



Wt: 6.40 Kgs./12'

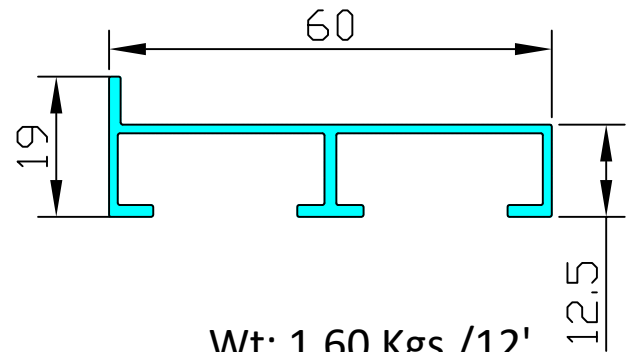


Sec. No.-9327



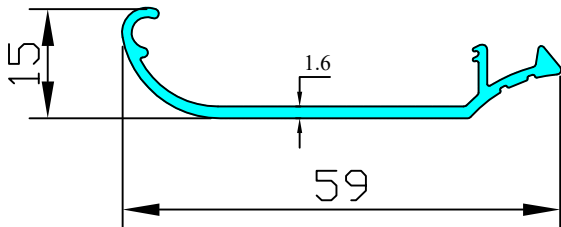
Wt: 1.10 Kgs./12'

Sec. No.-9330



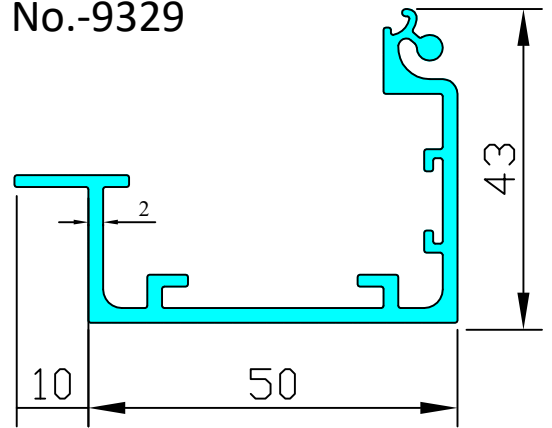
Wt: 1.60 Kgs./12'

Sec. No.-9328



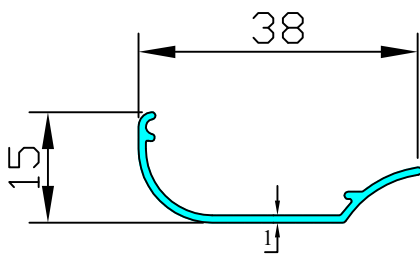
Wt: 1.350 Kgs./12'

Sec. No.-9329



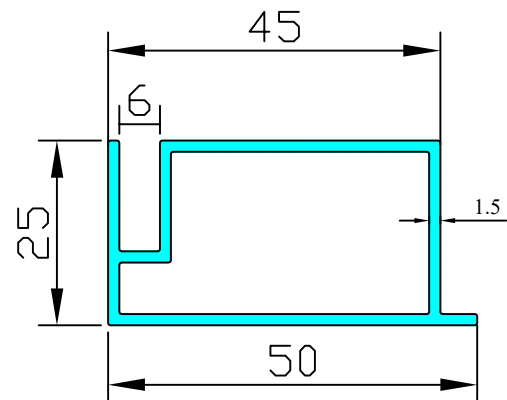
Wt: 3.250 Kgs./12'

Sec. No.-9332



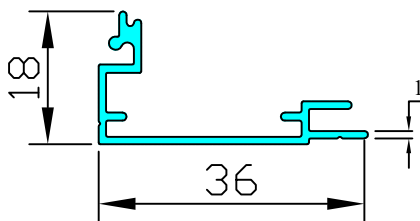
Wt: 0.650 Kgs./12'

Sec. No.-9334



Wt: 2.40 Kgs./12'

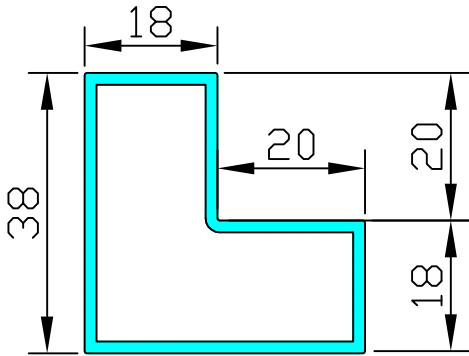
Sec. No.-9333



Wt: 0.90 Kgs./12'

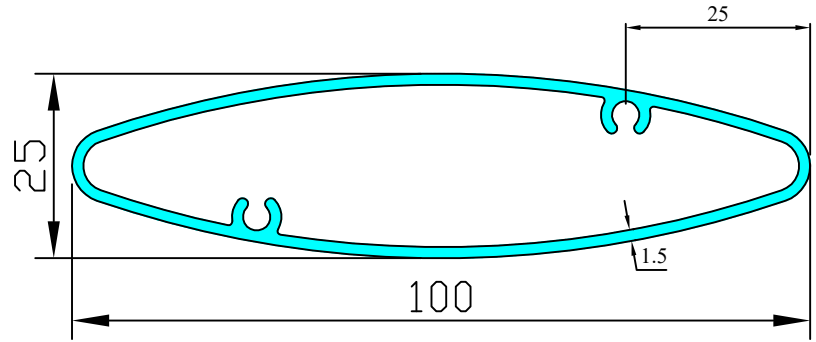


Sec. No.- 9336



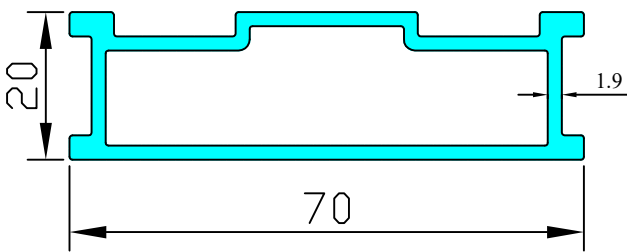
Wt: 2.40 Kgs./12'

Sec. No.- 9335



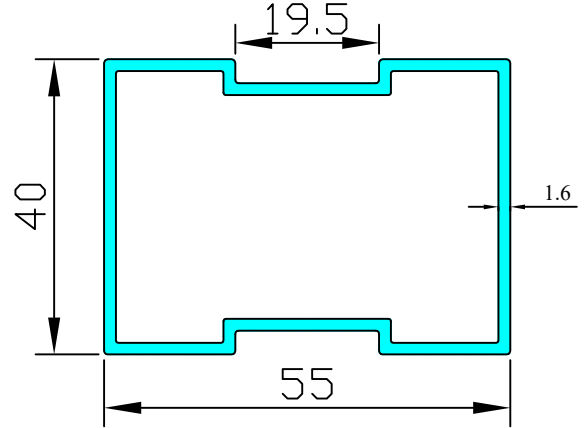
Wt: 3.650 Kgs./12'

Sec. No.- 9337



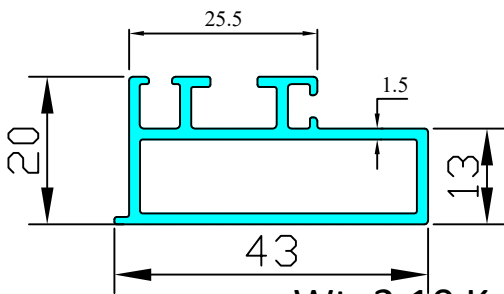
Wt: 3.650 Kgs./12'

Sec. No.- 9338



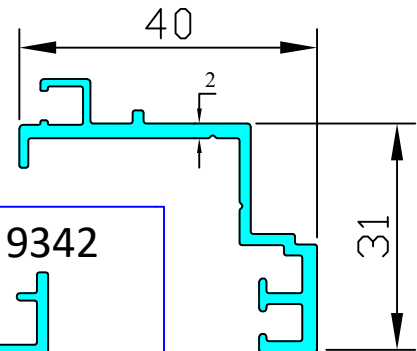
Wt: 3.450 Kgs./12'

Sec. No.- 9339



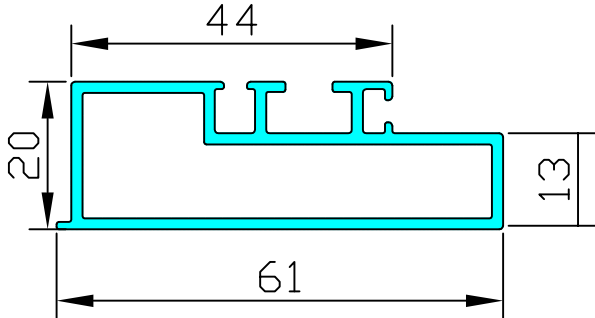
Wt: 2.10 Kgs./12'

Sec. No.- 9341



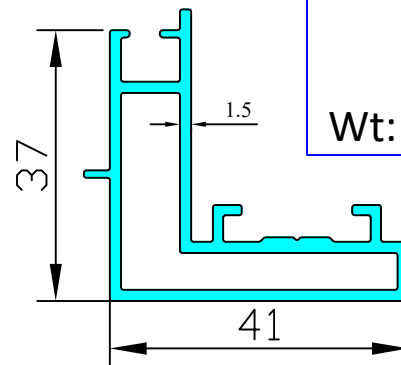
Wt: 1.80 Kgs./12'

Sec. No.- 9340



Wt: 2.70 Kgs./12'

Sec. No.- 9342

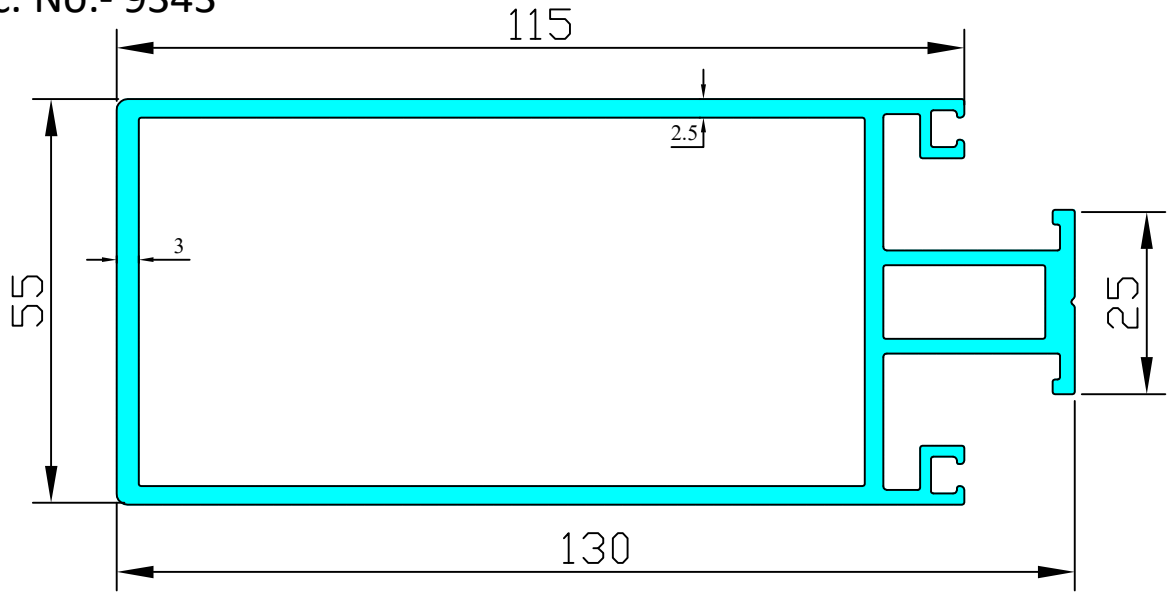


Wt: 2.80 Kgs./12'



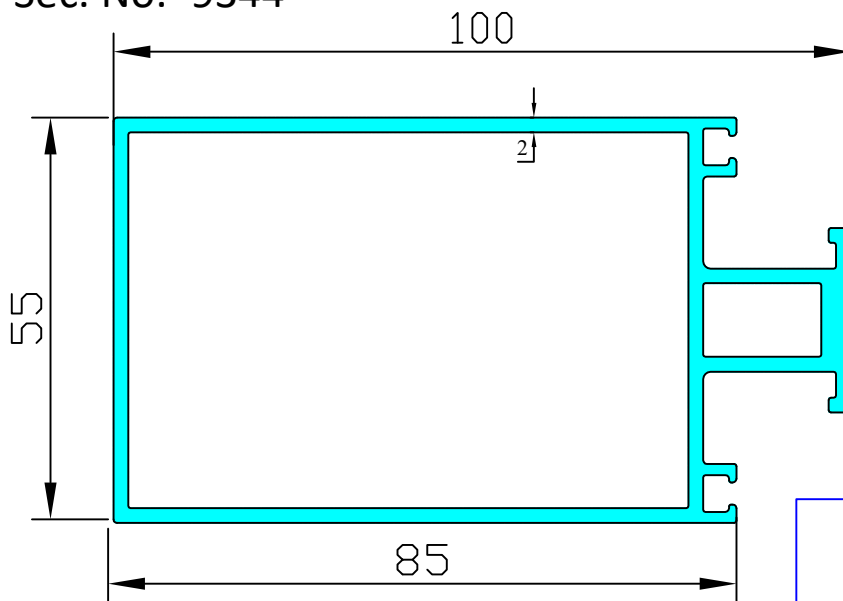


Sec. No.- 9343



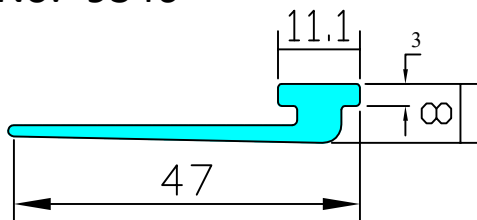
Wt: 10.400 Kgs./12'

Sec. No.- 9344



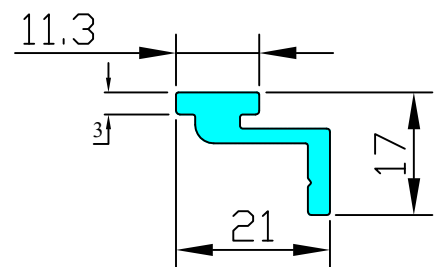
Wt: 7.150 Kgs./12'

Sec. No.- 9346



Wt: 1.150 Kgs./12'

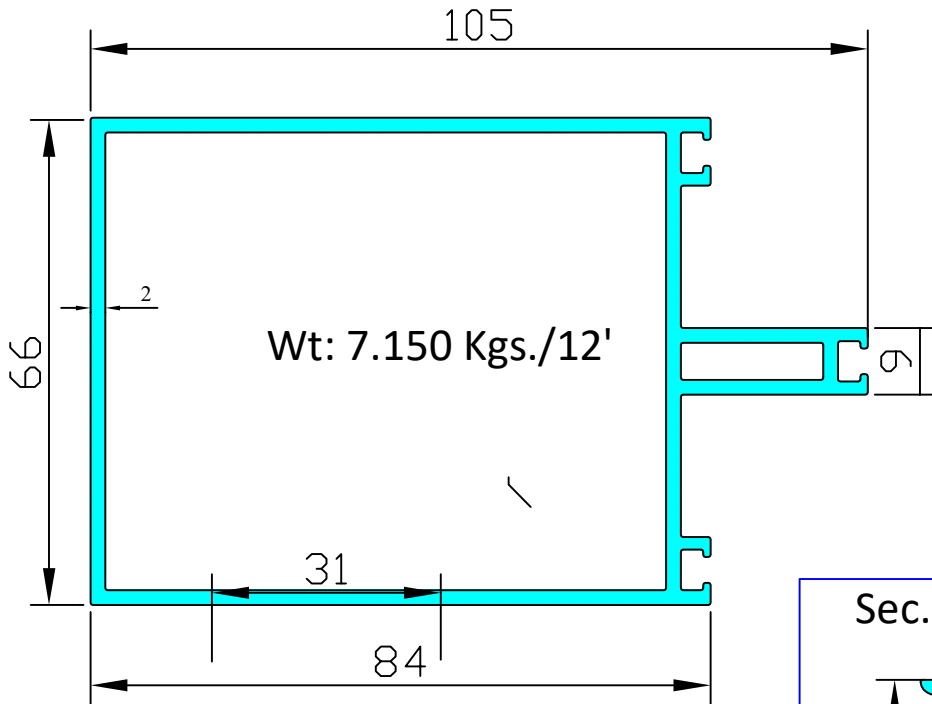
Sec. No.- 9345



Wt: 1.350 Kgs./12'



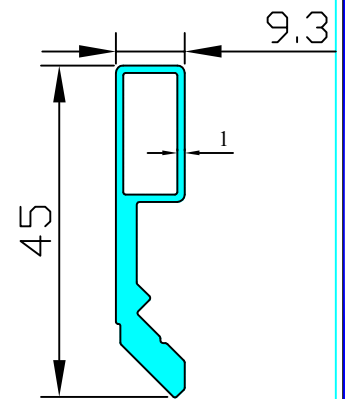
Sec. No.- 9349



Wt: 7.150 Kgs./12'

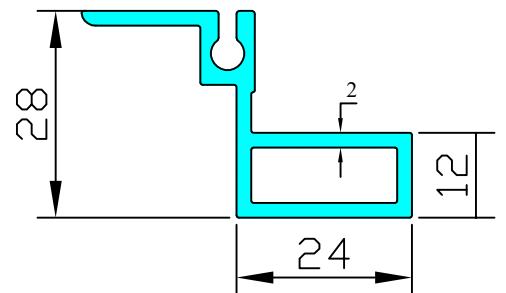
WT:- 7.300 kg/12'

Sec. No.- 9351



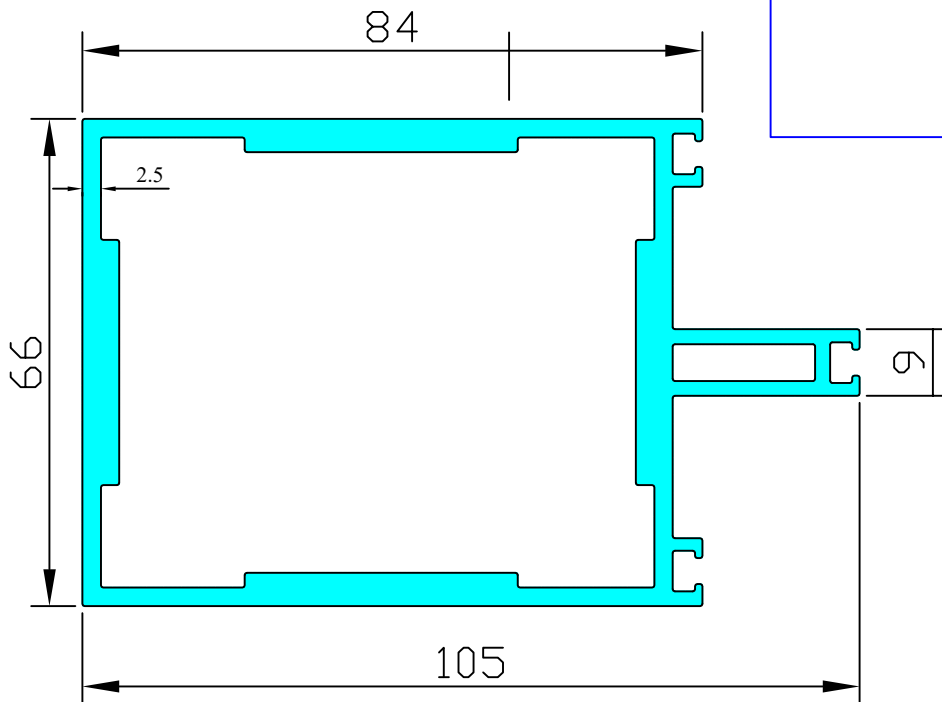
WT:- 1.450 kg/12'

Sec. No.- 9347



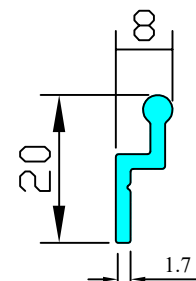
Wt:- 2.250 kg/12'

Sec. No.- 9350



WT:- 10.750 kg/12'

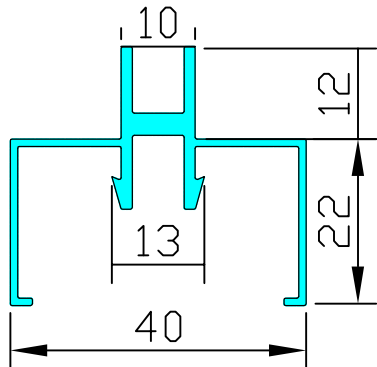
Sec. No.- 9348



WT:- 0.620 kg/12'

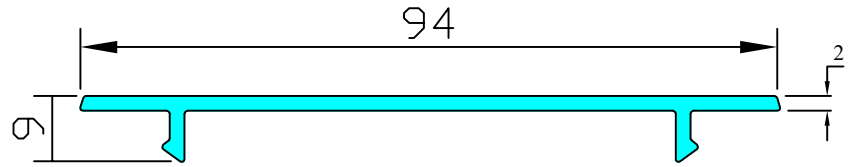


Sec. No.- 9352



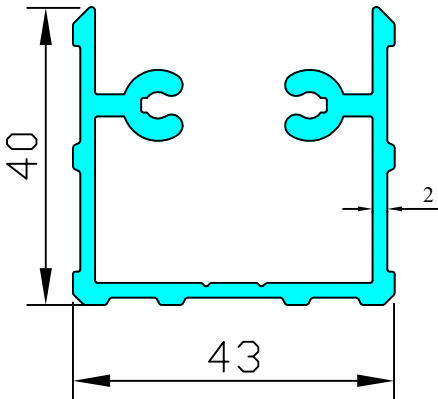
Wt: 1.90 Kgs./12'

Sec. No.- 9353



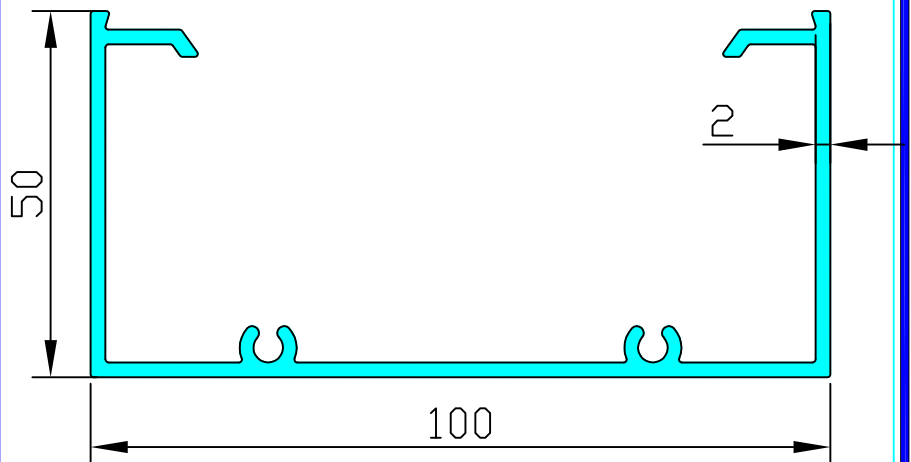
Wt: 2.050 Kgs./12'

Sec. No.- 9355



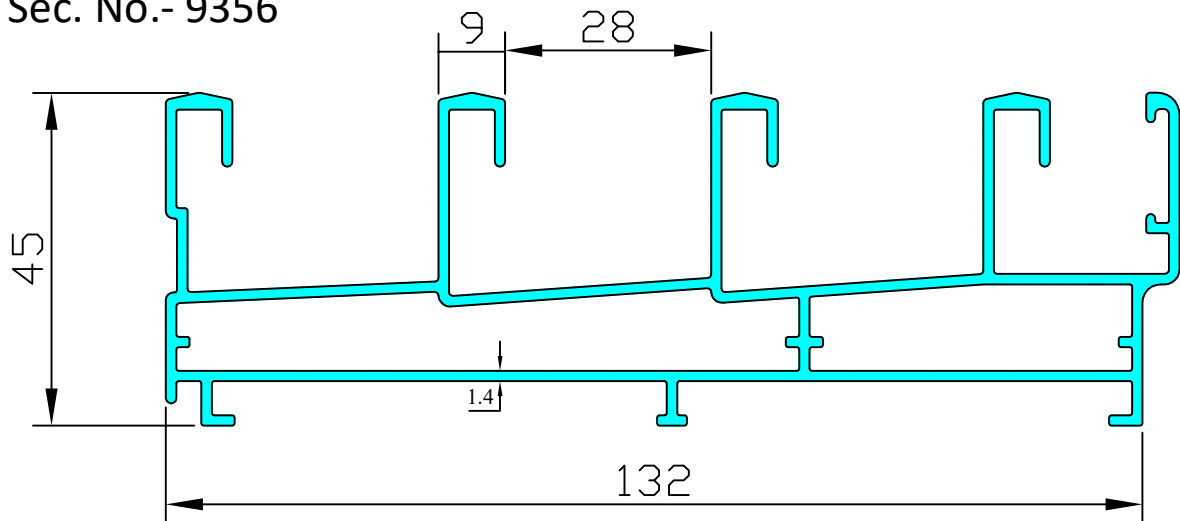
Wt: 3.850 Kgs./12'

Sec. No.- 9354



Wt: 4.850 Kgs./12'

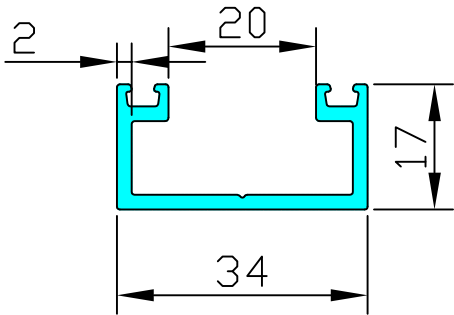
Sec. No.- 9356



Wt: 7.800 Kgs./12'

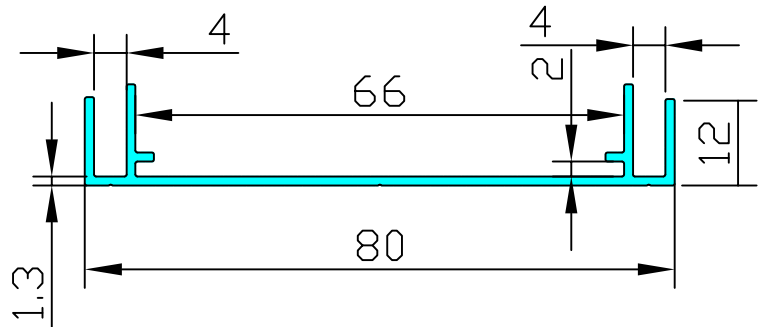


Sec. No.- 9358



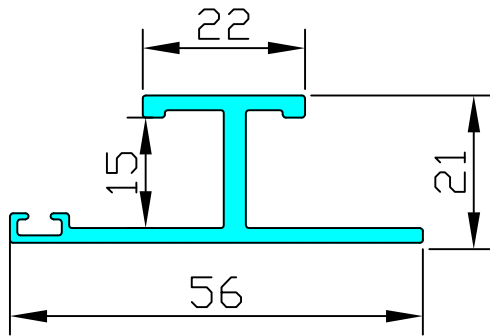
Wt: 1.650 Kgs./12'

Sec. No.- 9357



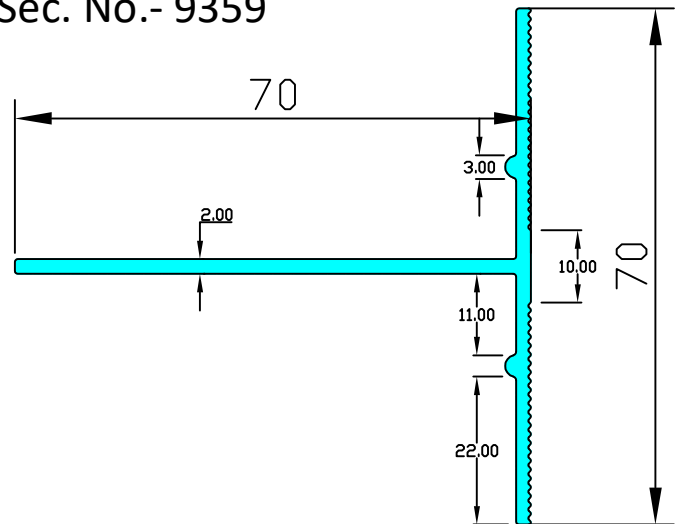
Wt: 2.650 Kgs./12'

Sec. No.- 9549



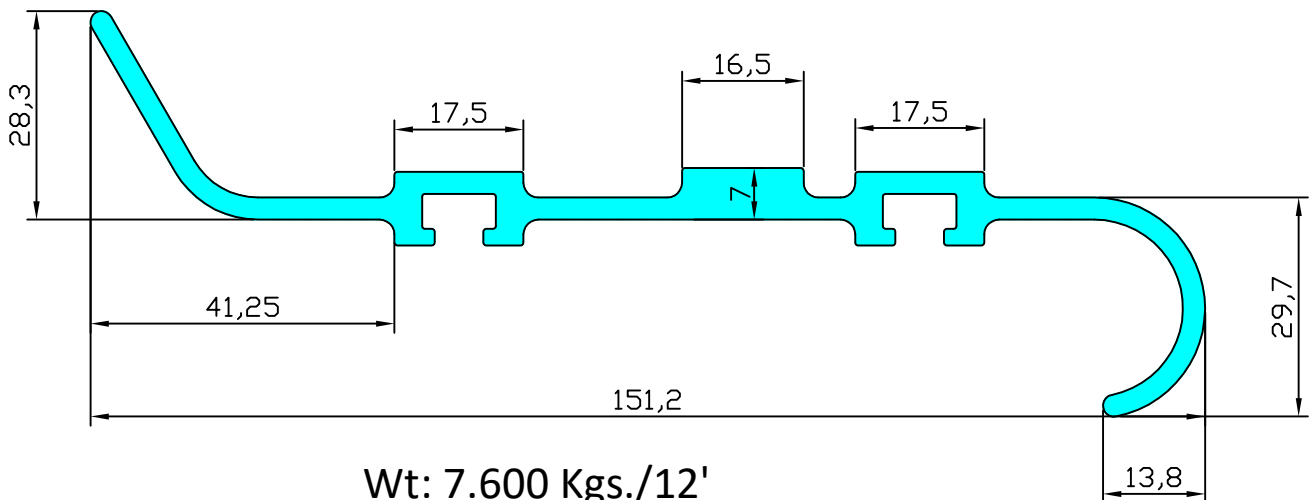
Wt: 2.150 Kgs./12'

Sec. No.- 9359



Wt: 2.850 Kgs./12'

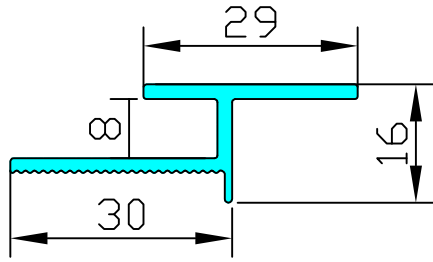
Sec. No.- 9552



Wt: 7.600 Kgs./12'

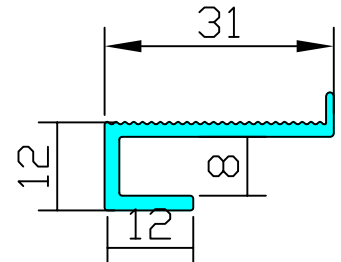


Sec. No.- 9550



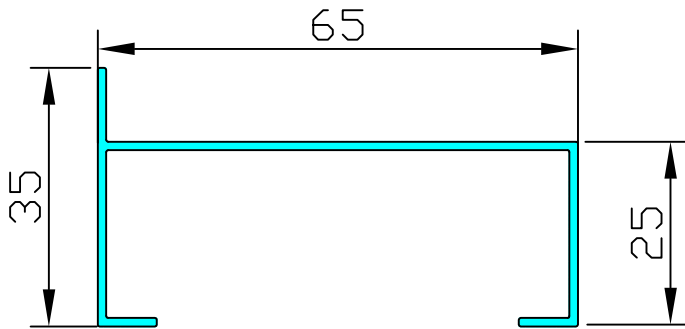
Wt: 1.450 Kgs./12'

Sec. No.- 9551



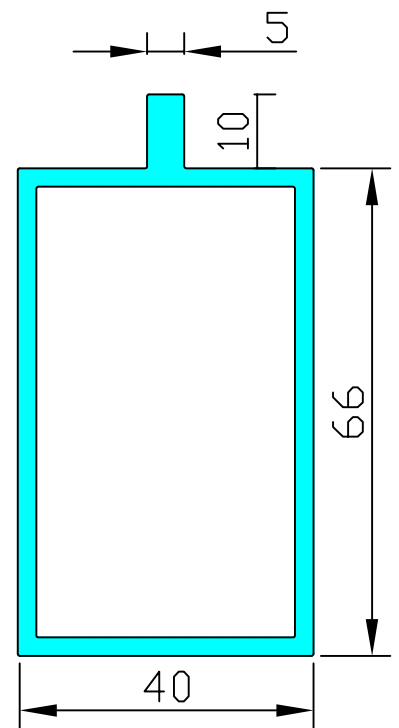
Wt: 1.150 Kgs./12'

Sec. No.- 9360



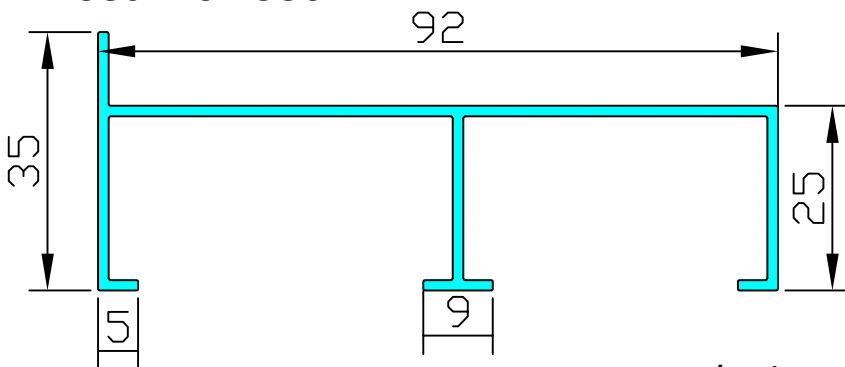
Wt: 1.70 Kgs./12'

Sec. No.- 9553



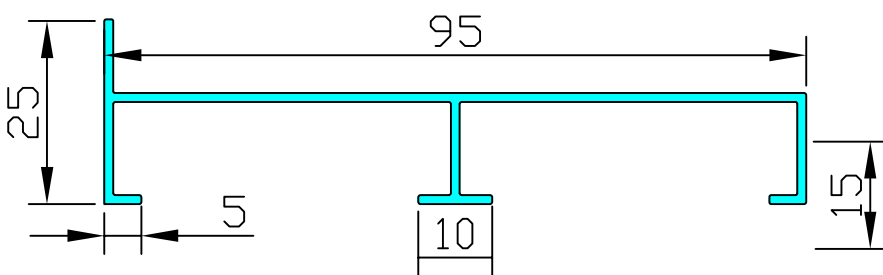
Wt: 4.40 Kgs./12'

Sec. No.- 9361



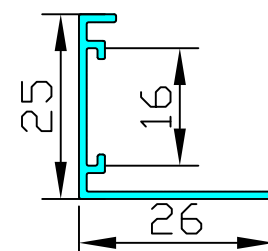
Wt: 2.600 Kgs./12'

Sec. No.- 9362

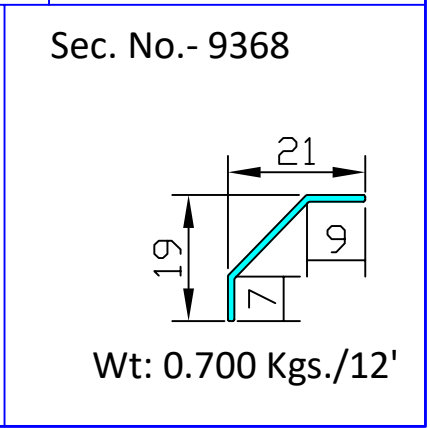
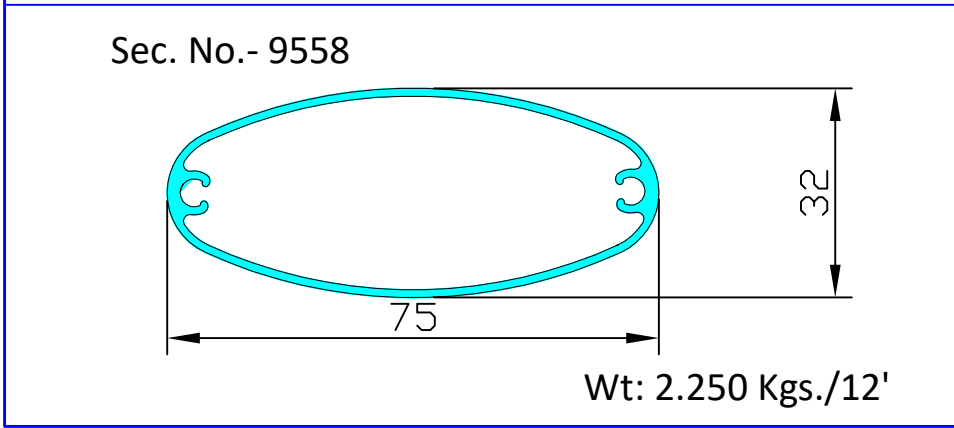
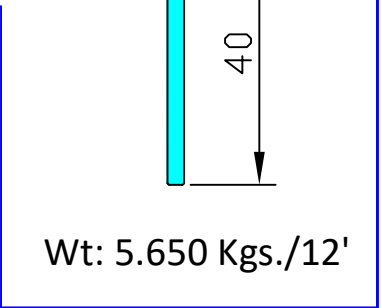
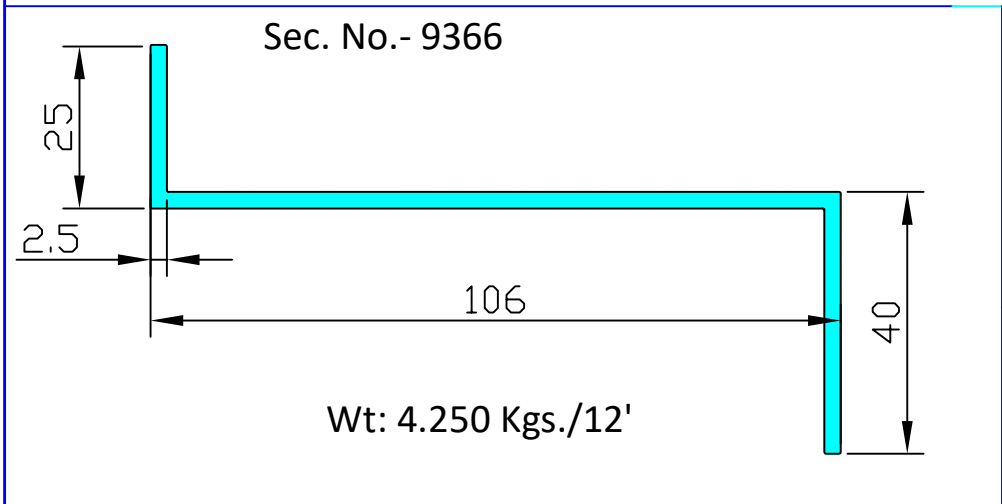
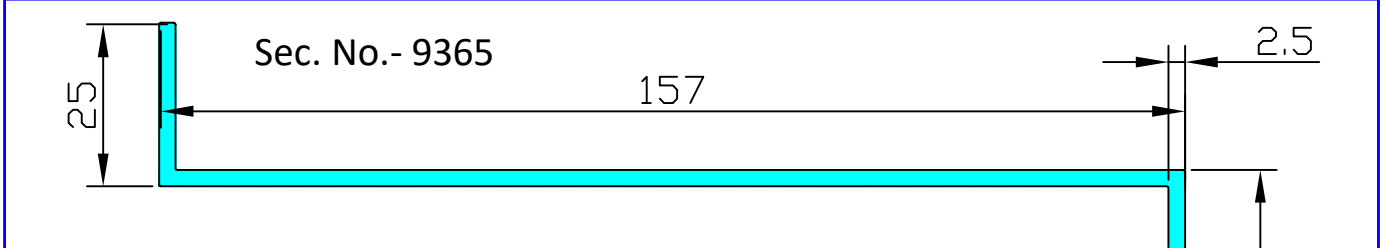
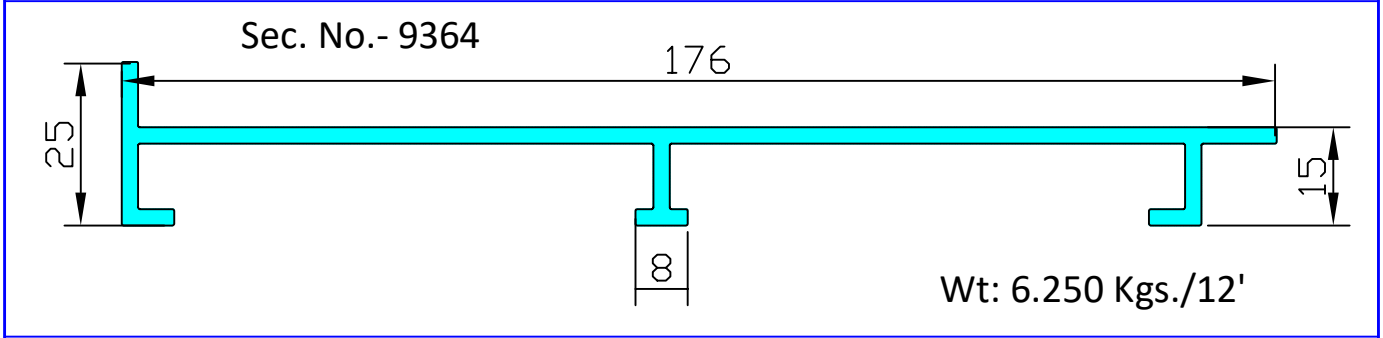
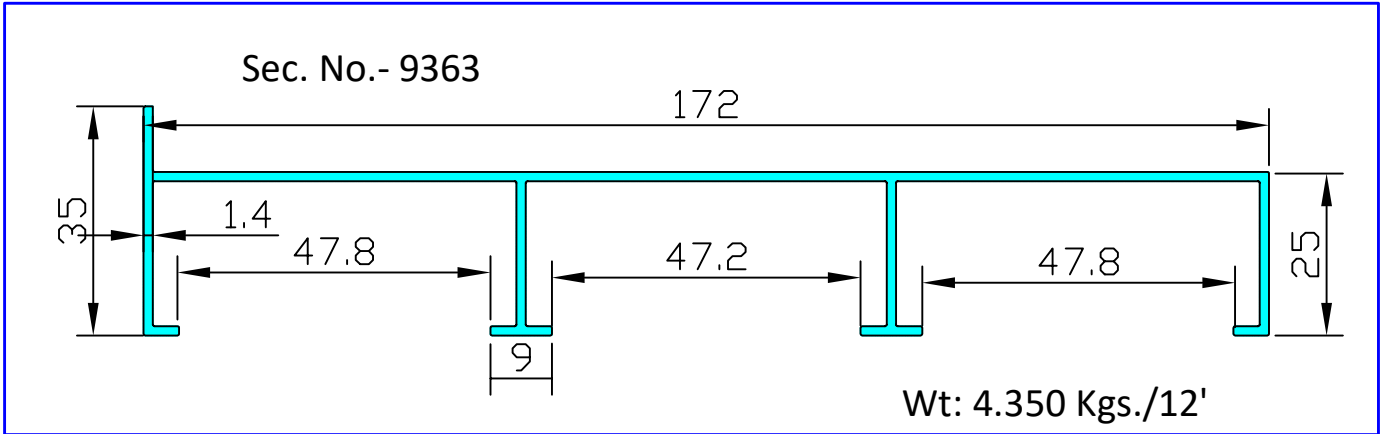


Wt: 2.050 Kgs./12'

Sec. No.- 9367

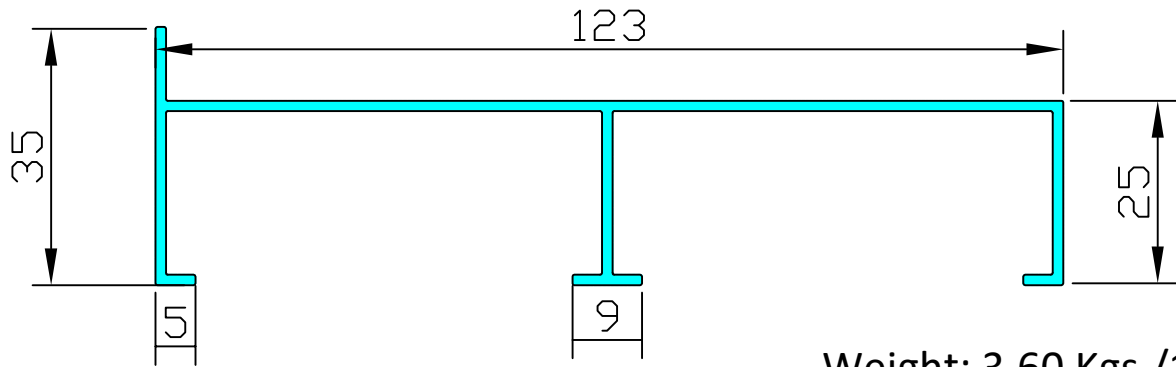


Wt: 1.25 Kgs./12'



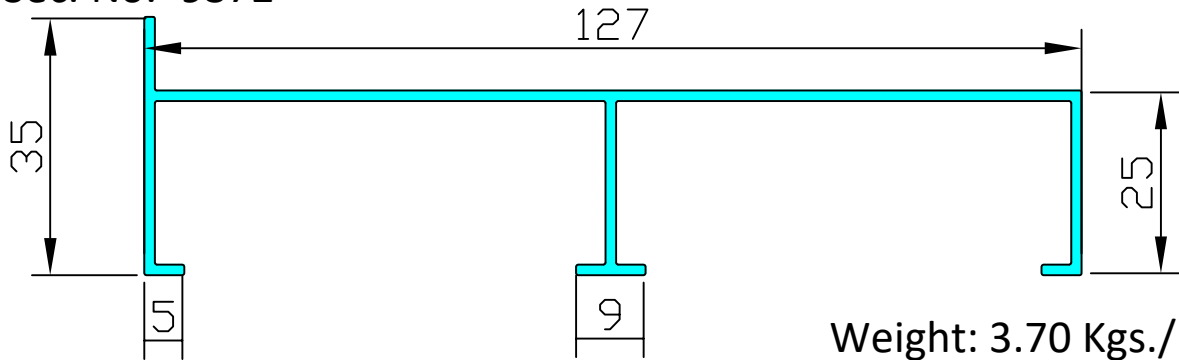


Sec. No.- 9371



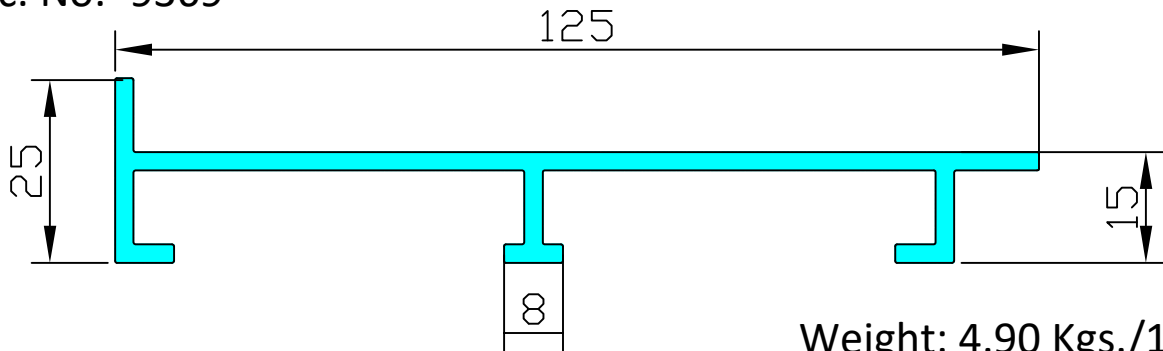
Weight: 3.60 Kgs./12'

Sec. No.- 9372



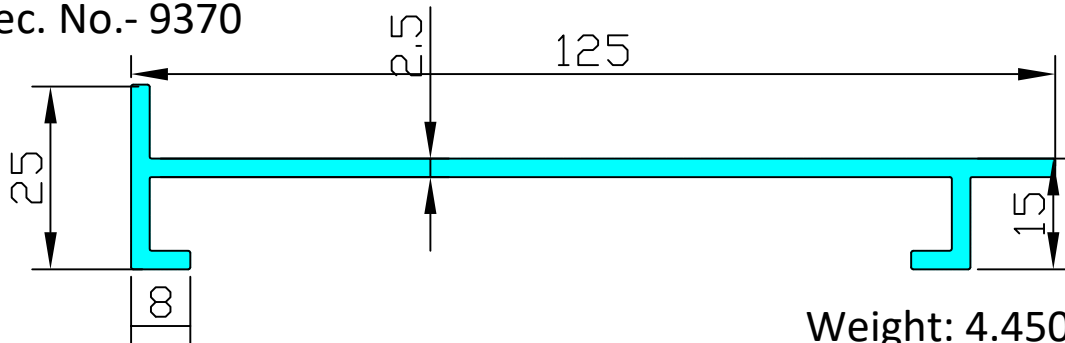
Weight: 3.70 Kgs./12'

Sec. No.- 9369



Weight: 4.90 Kgs./12'

Sec. No.- 9370

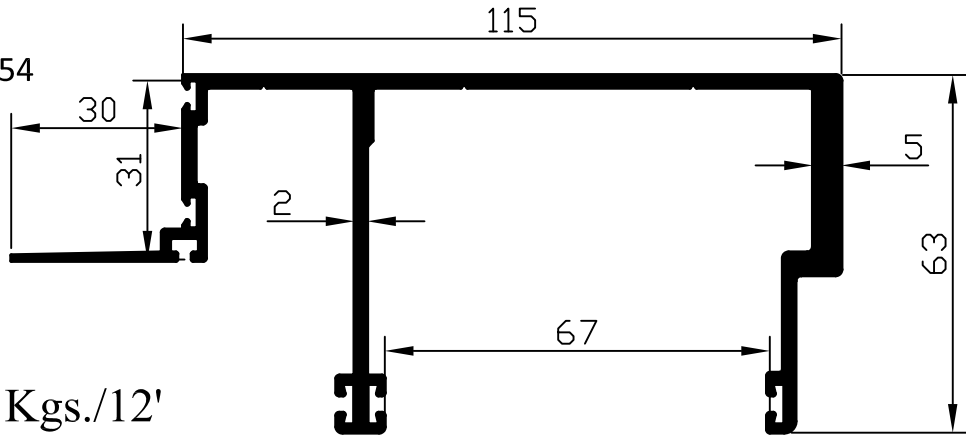


Weight: 4.450 Kgs./12'



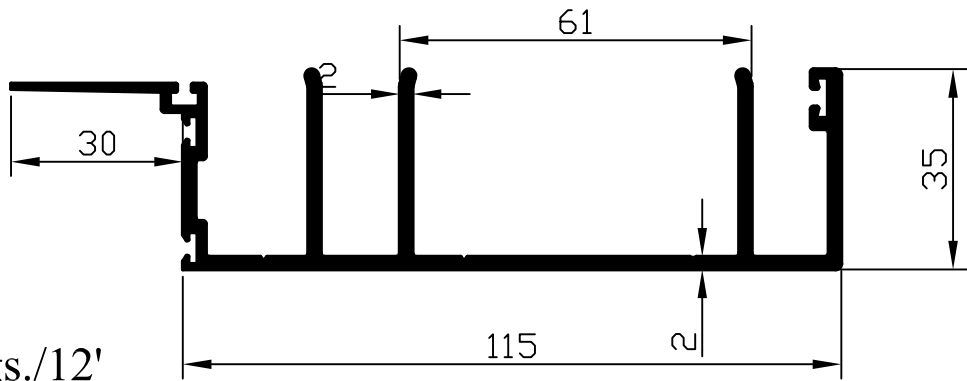
# BOMBAY ALUMINIUM PVT. LTD.

Sec. No.- 9554



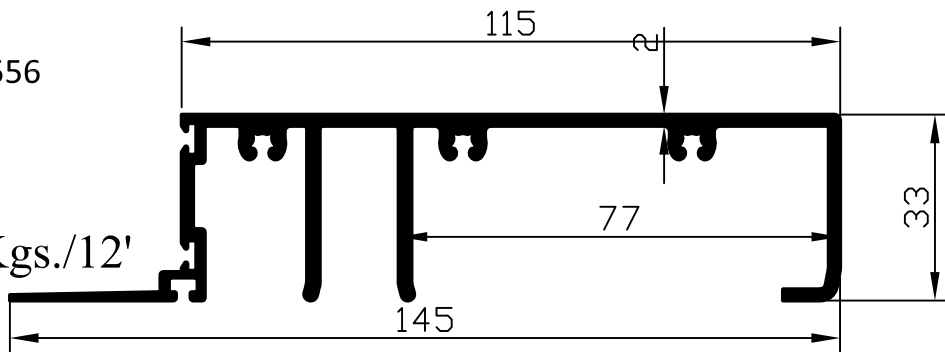
Wt.7.960 Kgs./12'

Sec. No.- 9555



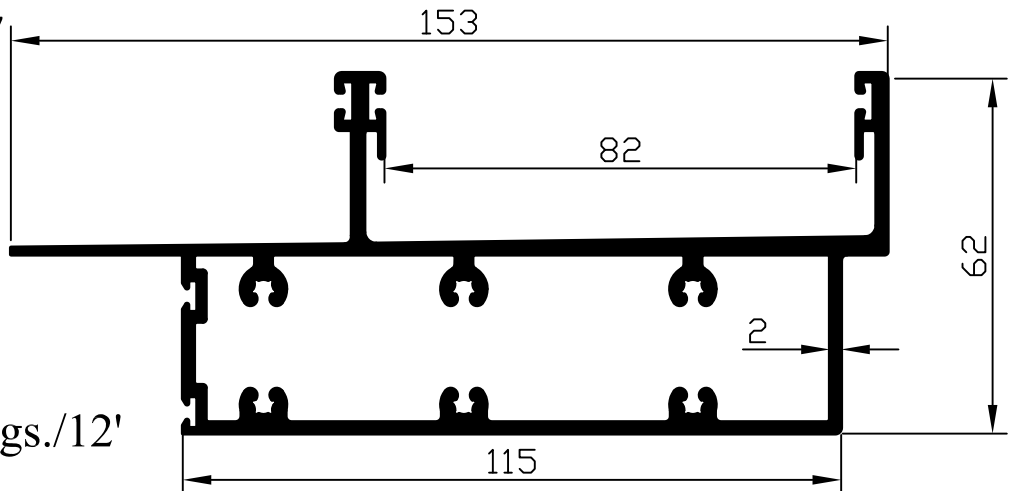
Wt.6.750 Kgs./12'

Sec. No.- 9556



Wt.6.350 Kgs./12'

Sec. No.- 9557



Wt.10.550 Kgs./12'

PRODUCED BY AN AUTODESK EDUCATIONAL PRODUCT

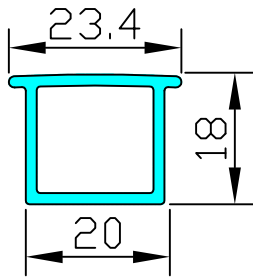
PRODUCED BY AN AUTODESK EDUCATIONAL PRODUCT





# BOMBAY ALUMINIUM PVT. LTD.

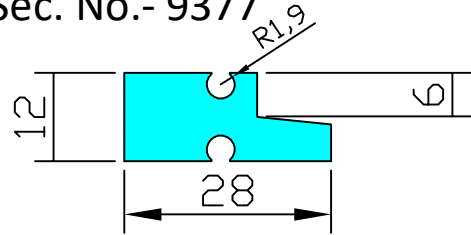
PRODUCED BY AN AUTODESK EDUCATIONAL PRODUCT



Sec. No.- 9374

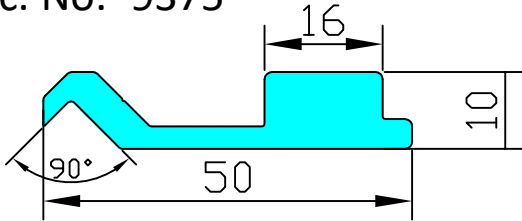
Wt:0.950 Kgs./12'

Sec. No.- 9377



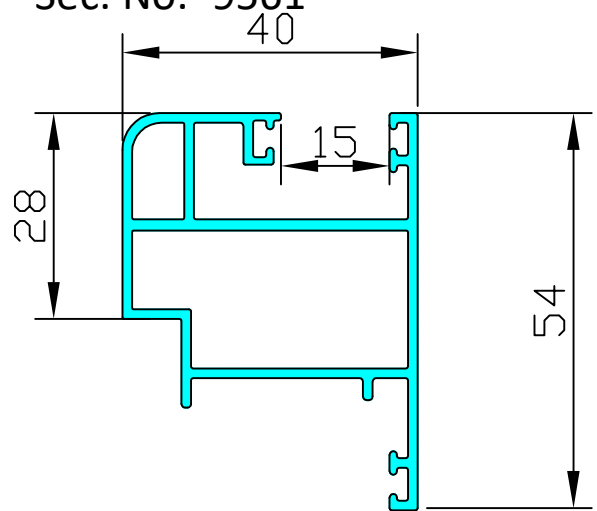
Wt: 2.850 Kgs./12'

Sec. No.- 9375



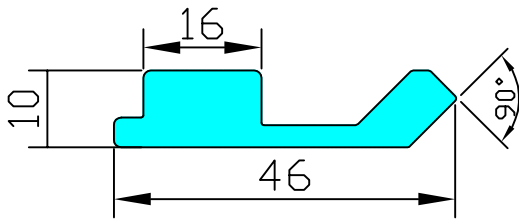
Wt: 3.200 Kgs./12'

Sec. No.- 9561



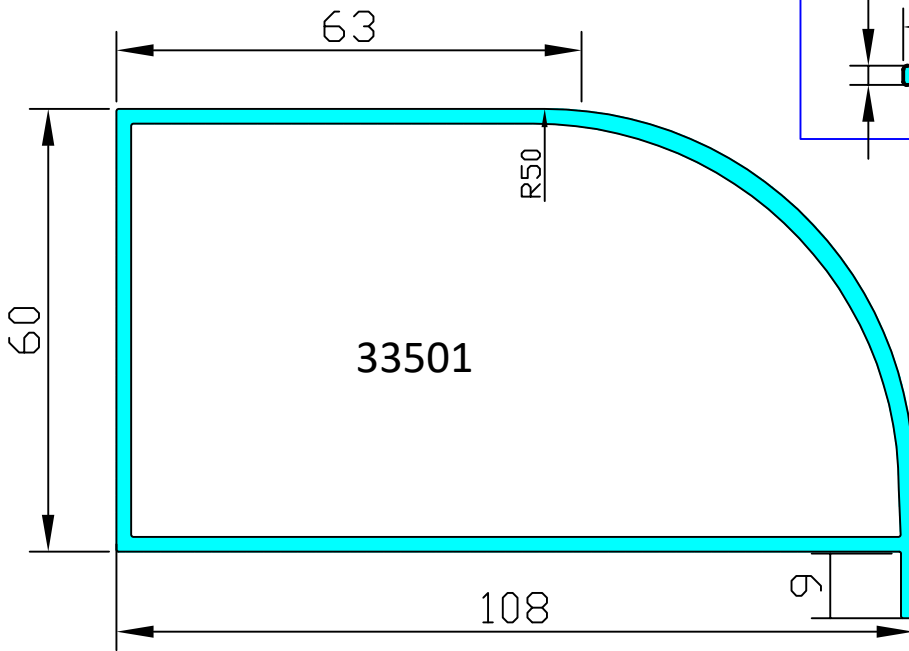
Wt:2.950 Kgs./12'

Sec. No.- 9376



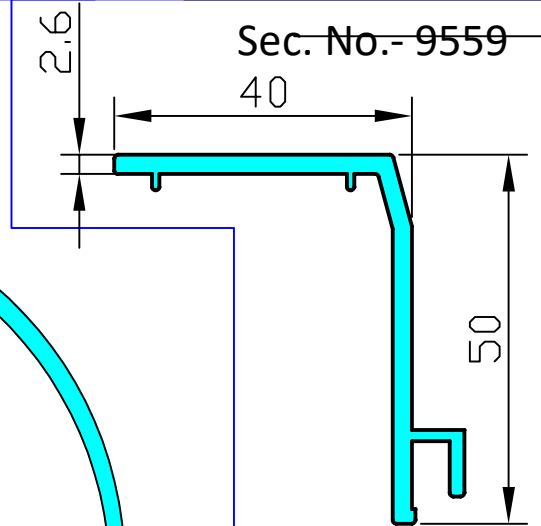
Wt:3.200 Kgs./12'

Sec. No.- 9373



Wt:6.650 Kgs./12'

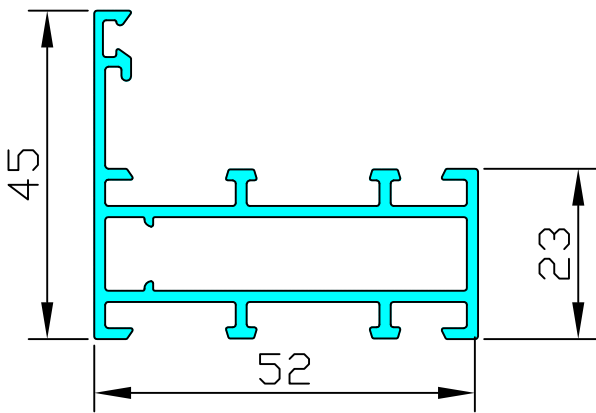
Sec. No.- 9559



Wt:2.550 Kgs./12'

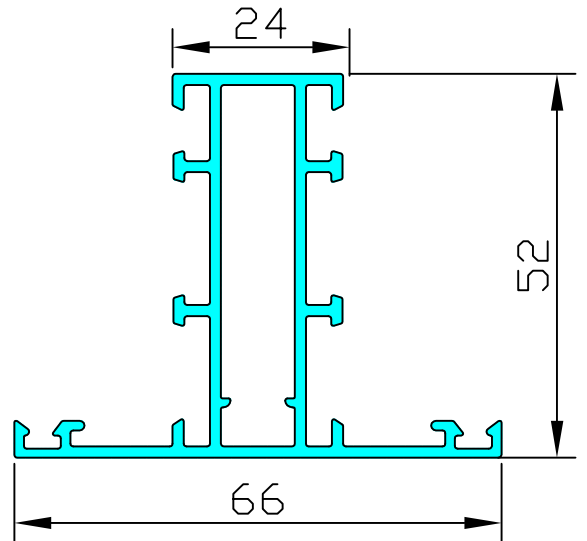


Sec. No.- 9562



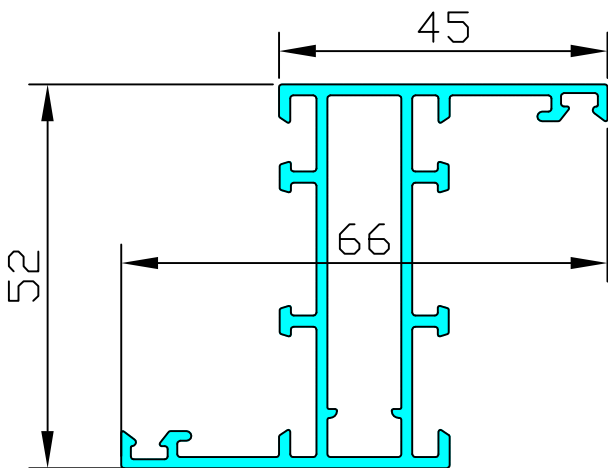
Wt: 3.20 Kgs./12'

Sec. No.- 9563



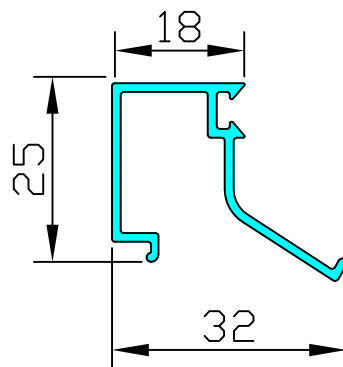
Wt: 3.70 Kgs./12'

Sec. No.- 9564



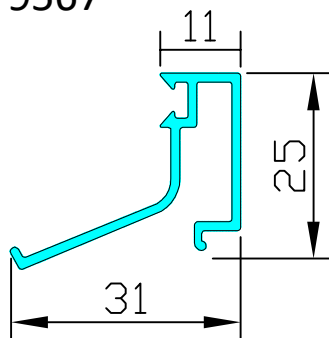
Wt: 3.65 Kgs./12'

Sec. No.- 9565



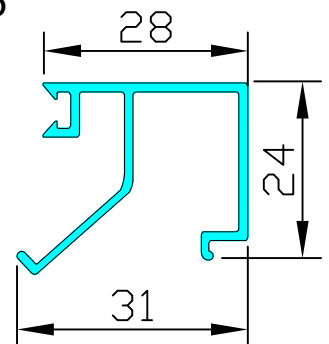
Wt: 1.100 Kgs./12'

Sec. No.- 9567



Wt: 1.00 Kgs./12'

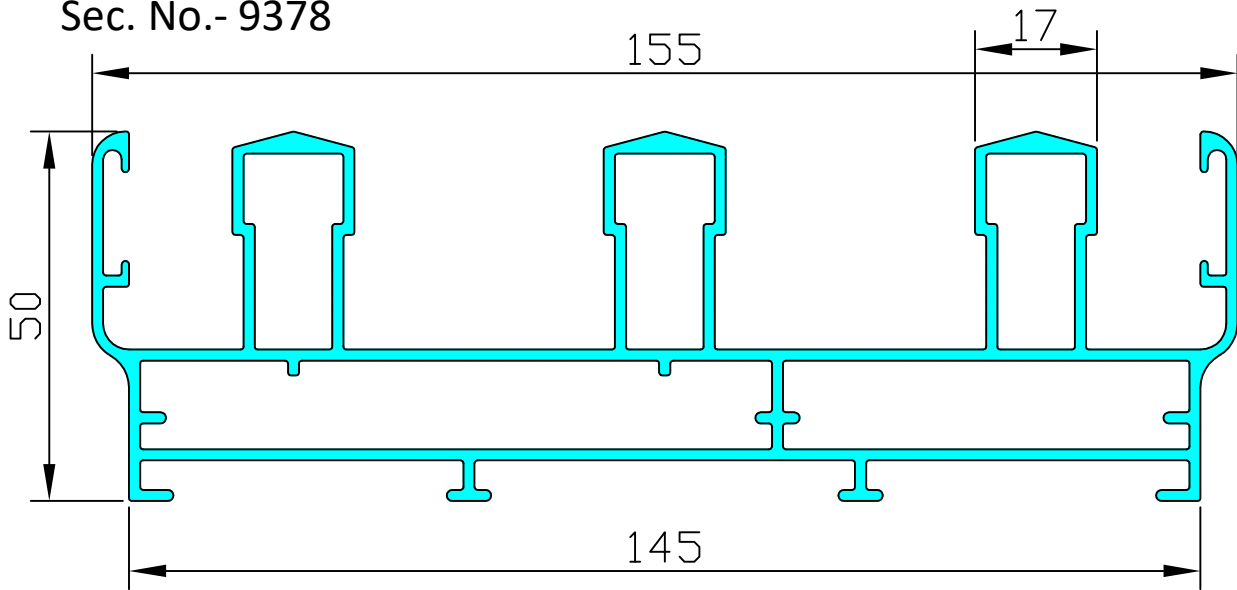
Sec. No.- 9566



Wt: 1.200 Kgs./12'

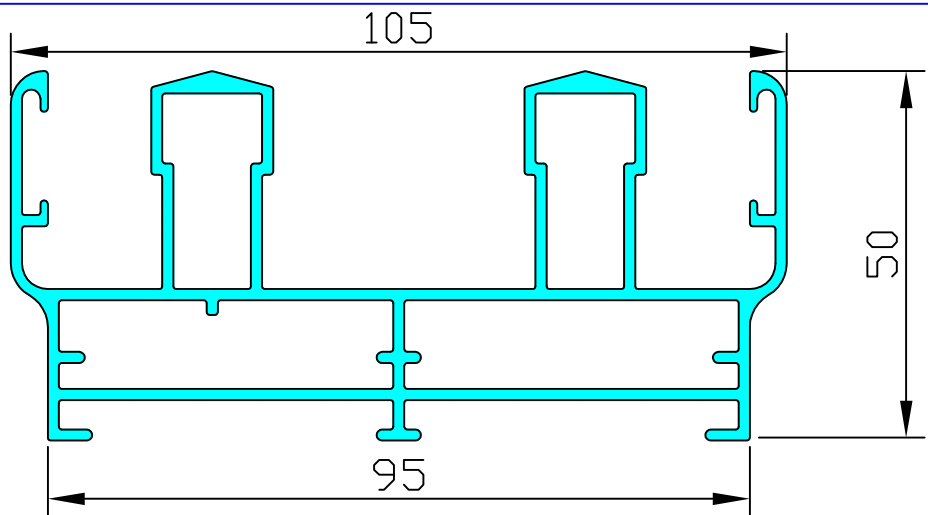


Sec. No.- 9378



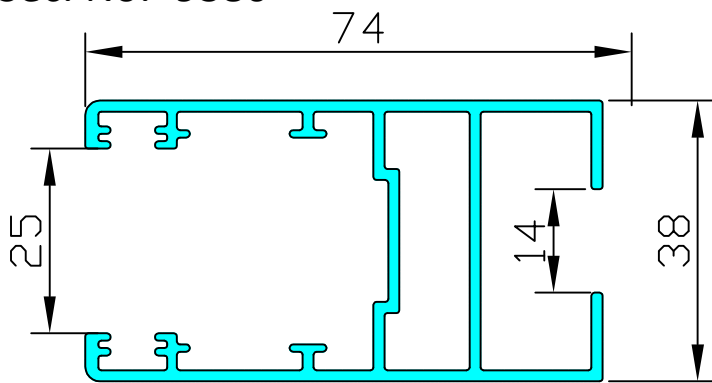
Wt: 10.350 Kgs./12'

Sec. No.- 9379



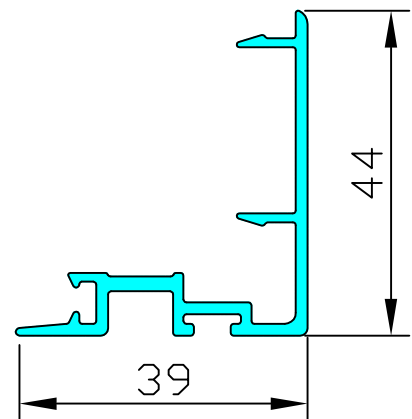
Wt: 7.550 Kgs./12'

Sec. No.- 9380



Wt: 4.250 Kgs./12'

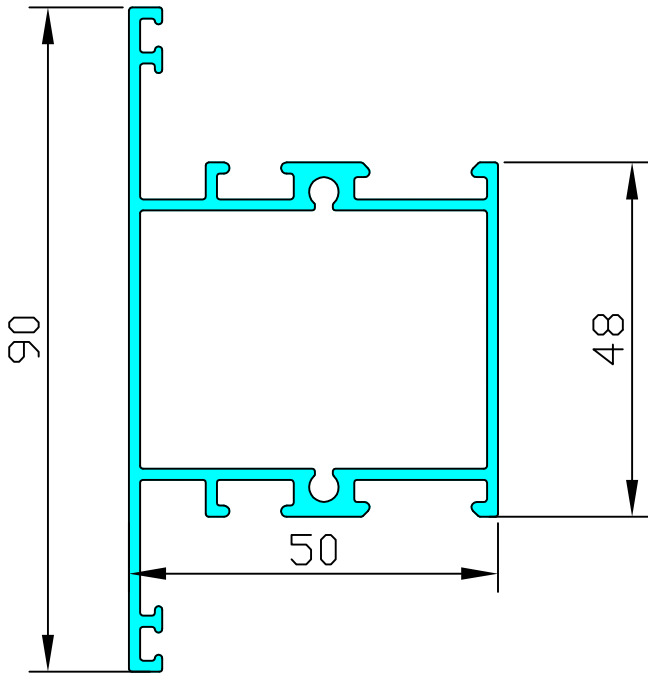
Sec. No.- 9381



Wt: 1.800 Kgs./12'

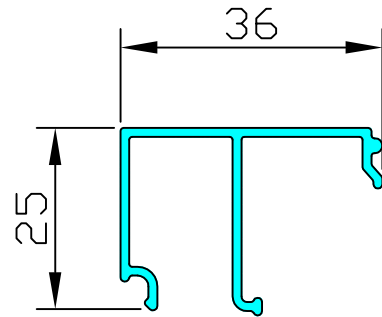


Sec. No.- 9384



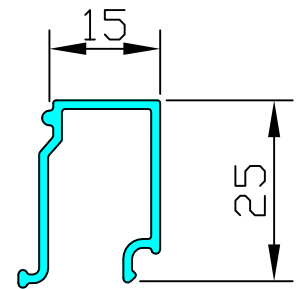
Wt:4.550 Kgs./12'

Sec. No.- 9385



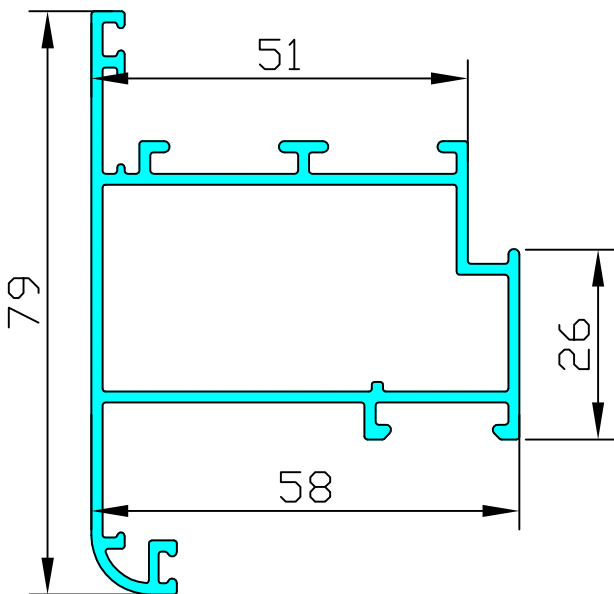
Wt: 1.150 Kgs./12'

Sec. No.- 9386



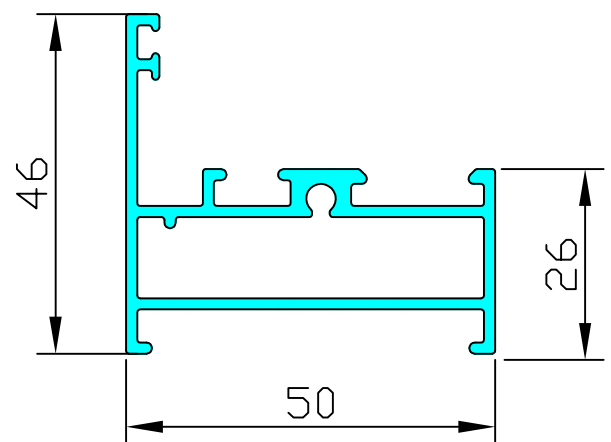
Wt: 0.850 Kgs./12'

Sec. No.- 9383



Wt: 4.300 Kgs./12'

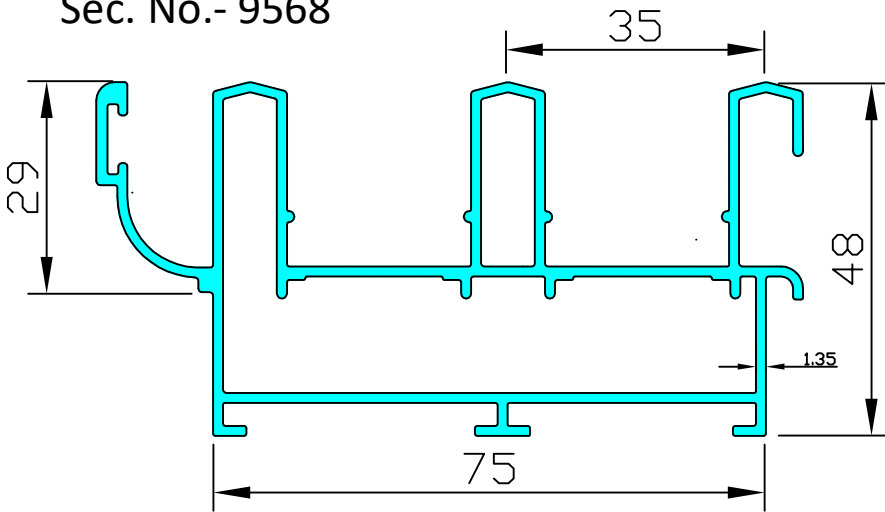
Sec. No.- 9382



Wt: 3.100 Kgs./12'

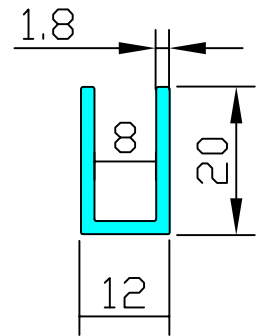


Sec. No.- 9568



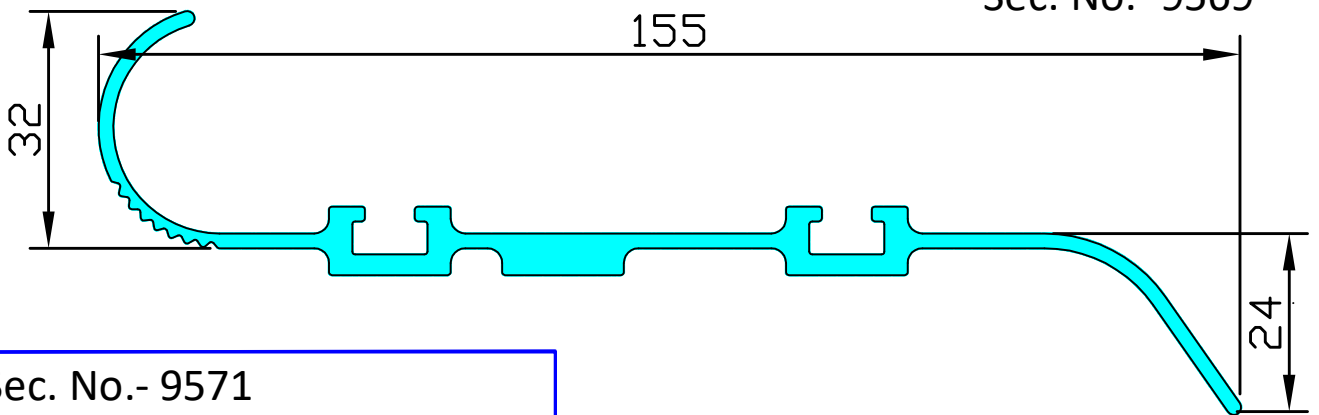
Weight: 5.60 Kgs./12'

Sec. No.- 9570



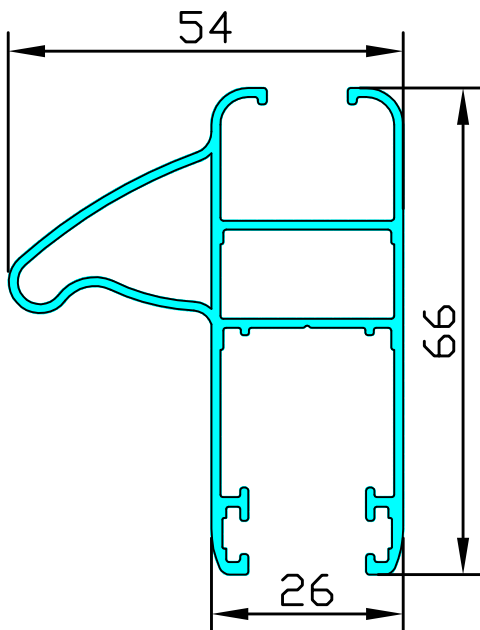
Wt: .900 Kgs./12'

Sec. No.- 9569



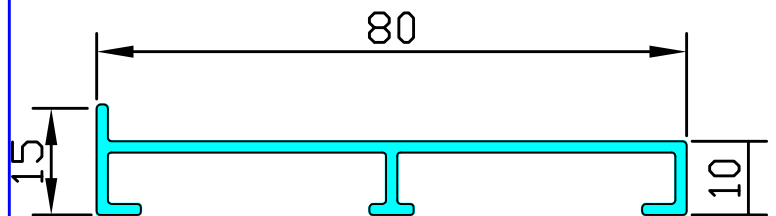
Weight: 5.650 Kgs./12'

Sec. No.- 9571



Wt: 3.40 Kgs./12'

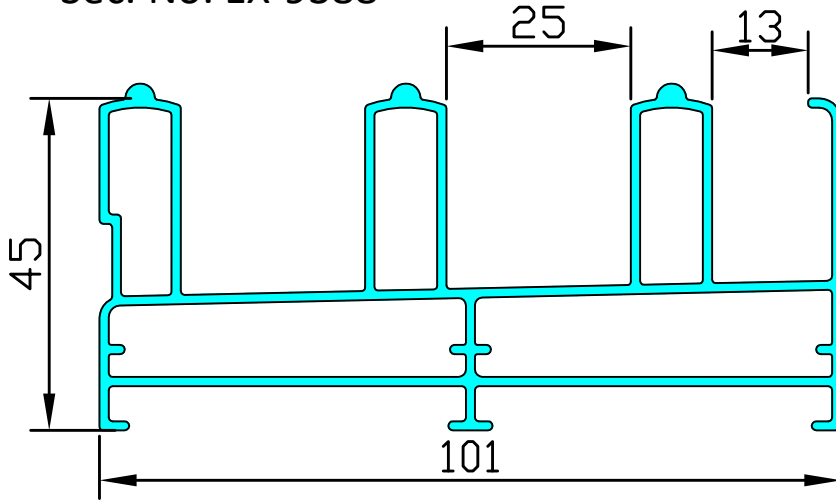
Sec. No.- 9387



Wt: 1.950 Kgs./12'

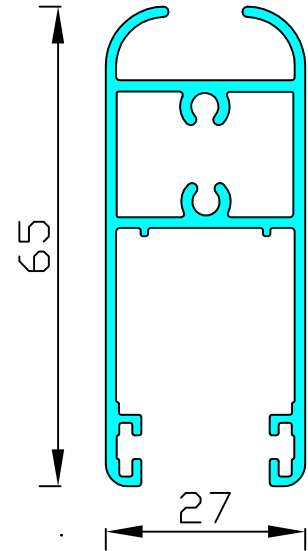


Sec. No. EX-9388



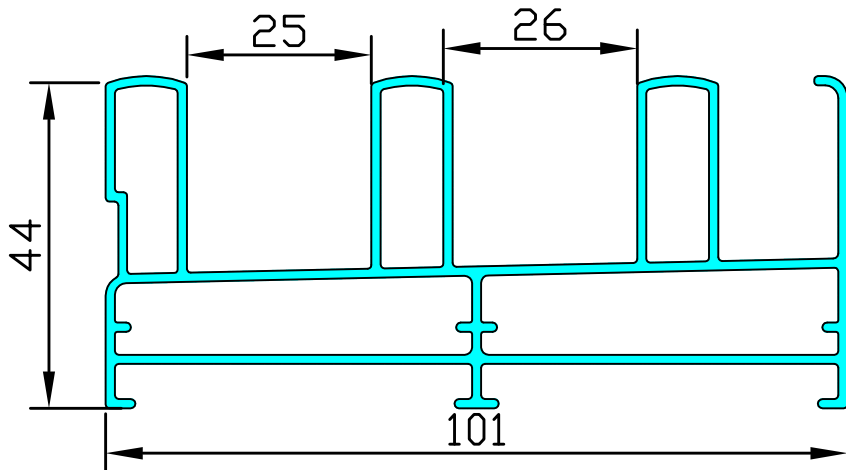
Weight: 6.20 Kgs./12'

Sec. No. EX-9390



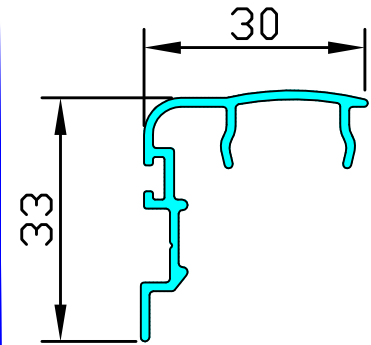
Wt: 3.20 Kgs./12'

Sec. No. EX-9389



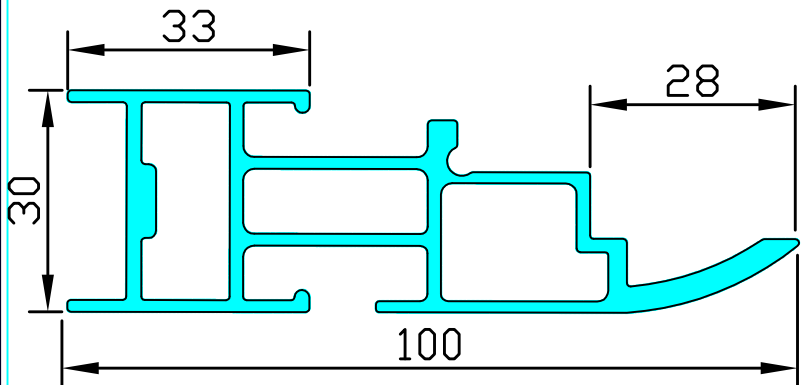
Weight: 6.00 Kgs./12'

Sec. No. EX-9391



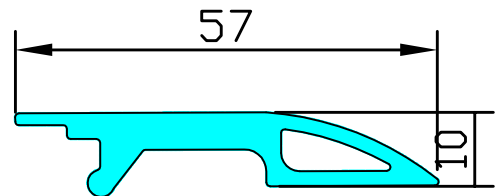
Wt: 1.250 Kgs./12'

Sec. No. EX-9392



Wt: 6.10 Kgs./12'

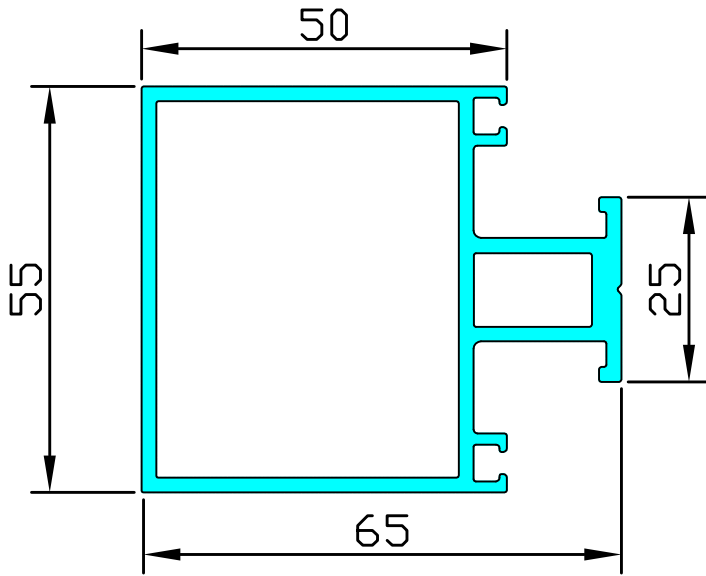
Sec. No. EX-9393



Wt: 2.90 Kgs./12'

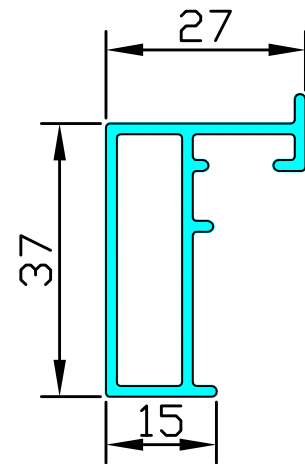


Sec. No.- 9576



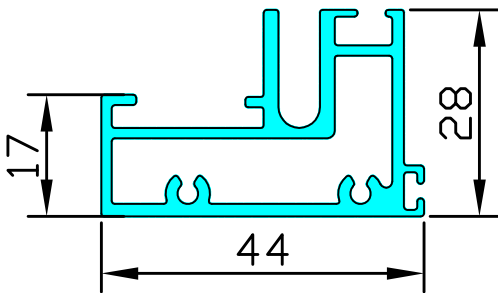
Wt: 5.60 Kgs./12'

Sec. No.- 9394



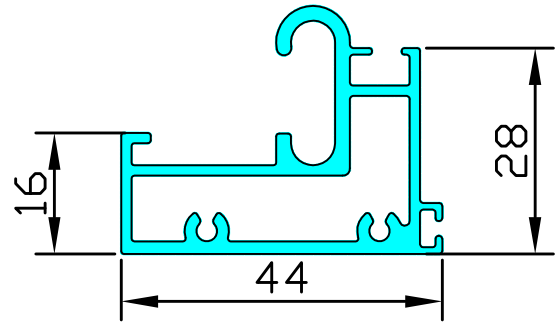
Wt: 1.90 Kgs./12'

Sec. No.EX- 9572



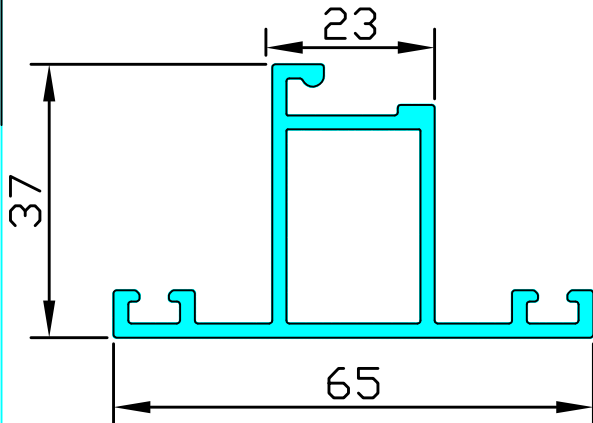
Wt: 3.00 Kgs./12'

Sec. No.EX- 9573



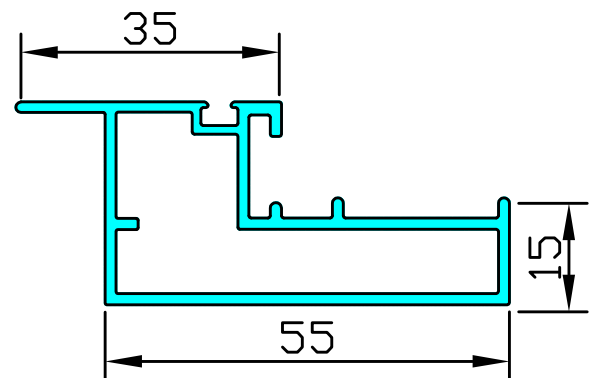
Wt: 3.00 Kgs./12'

Sec. No.EX- 9574



Wt: 3.40 Kgs./12'

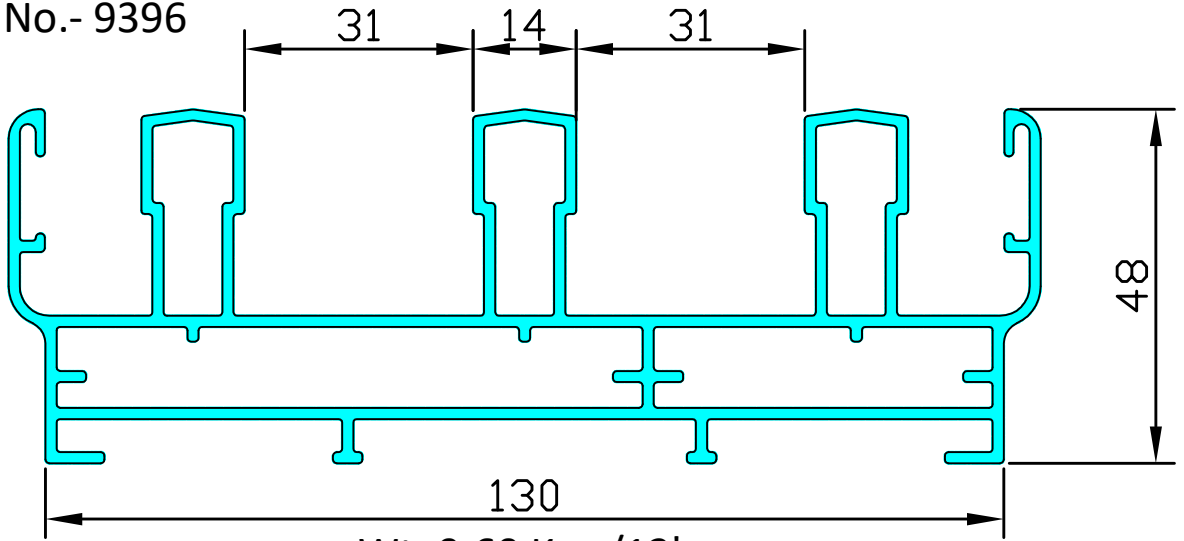
Sec. No.- 9575



Wt: 2.90 Kgs./12'

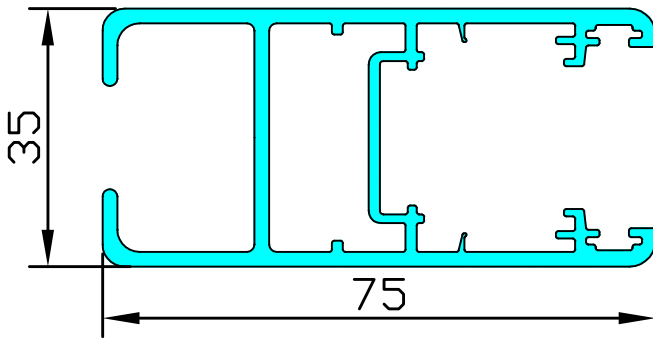


Sec. No.- 9396



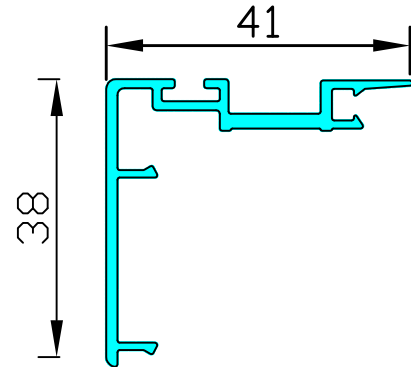
Wt: 9.60 Kgs./12'

Sec. No.- 9397



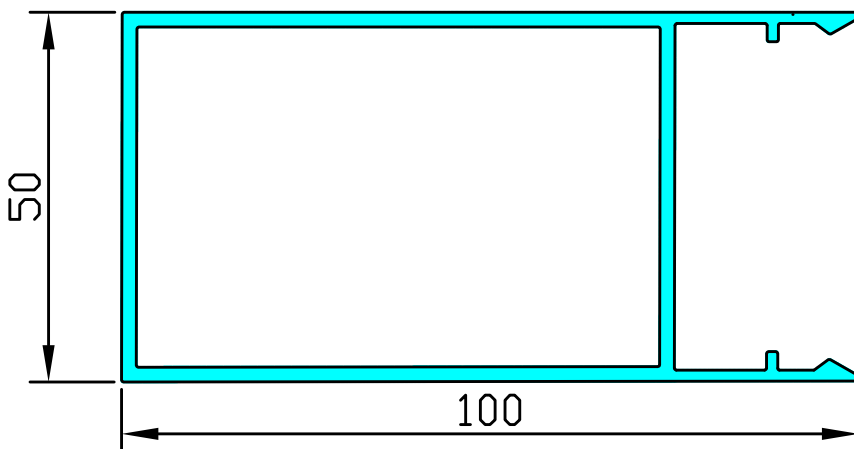
Wt: 4.50 Kgs./12'

Sec. No.- 9398



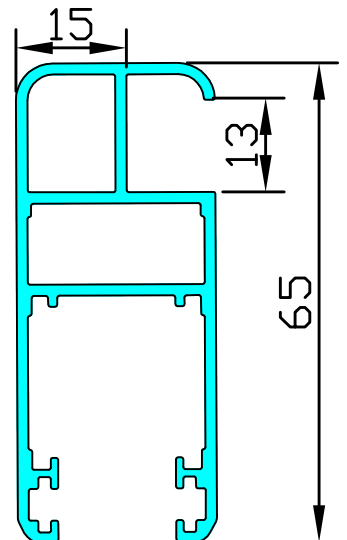
Wt: 1.60 Kgs./12'

Sec. No.- 9577



Wt: 5.40 Kgs./12'

Sec. No.- 9395

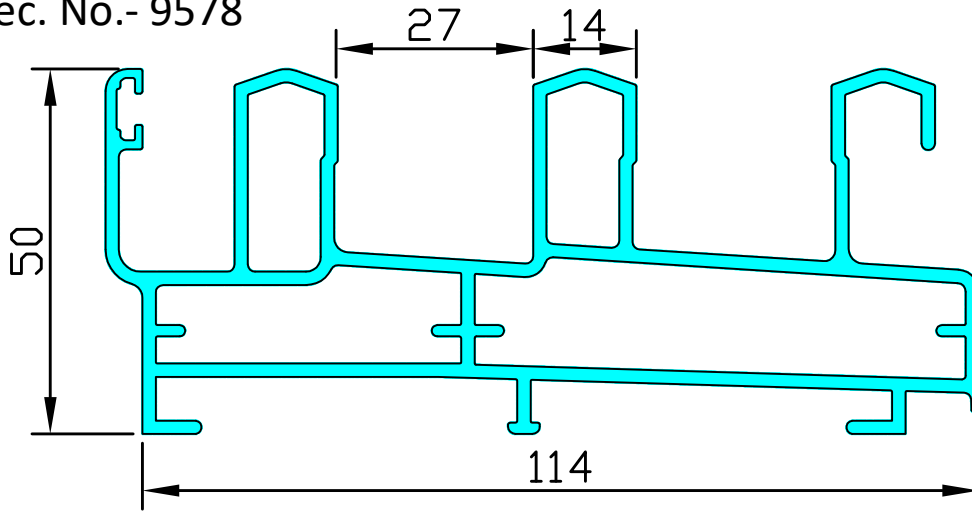


Wt: 3.20 Kgs./12'



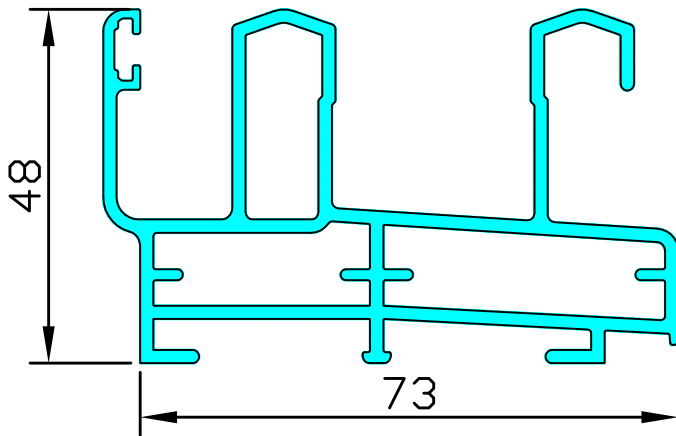


Sec. No.- 9578



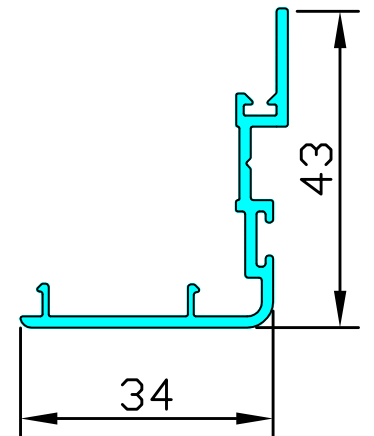
Wt: 9.150 Kgs./12'

Sec. No.- 9579



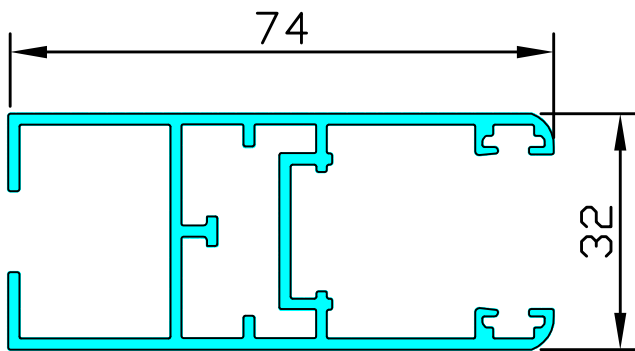
Wt: 6.600 Kgs./12'

Sec. No.- 9581



Wt: 1.450 Kgs./12'

Sec. No.- 9580



Wt: 4.00 Kgs./12'

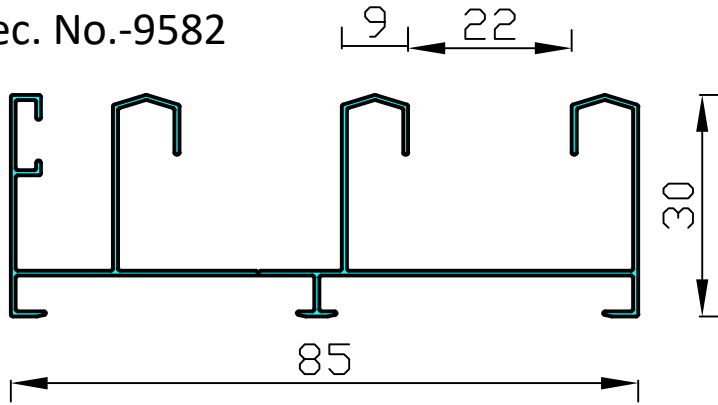
Sec. No.- 9000

Wt: 0.00 Kgs./12'



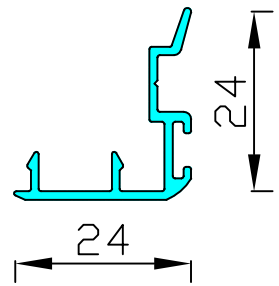
# BOMBAY ALUMINIUM PVT. LTD.

Sec. No.-9582



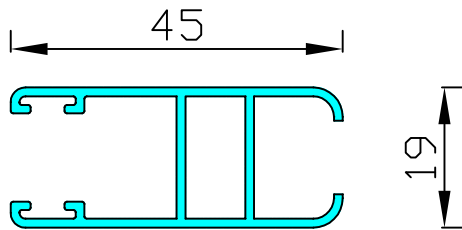
Wt: 3.70 Kgs./12'

Sec. No.-9585



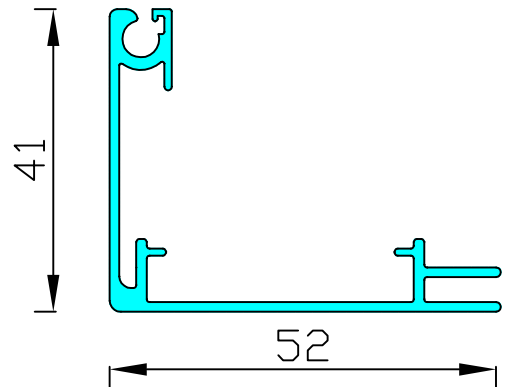
Wt: 0.850 Kgs./12'

Sec. No.--9584



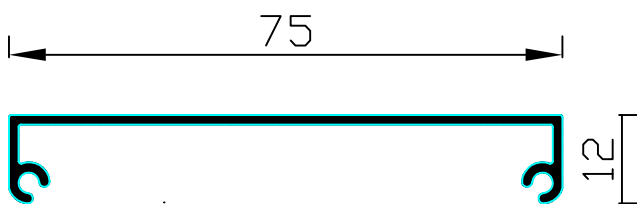
Wt: 1.60 Kgs./12'

Sec. No.-9587



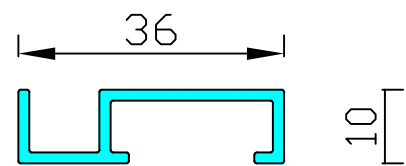
Wt: 2.10 Kgs./12'

Sec. No.-9590



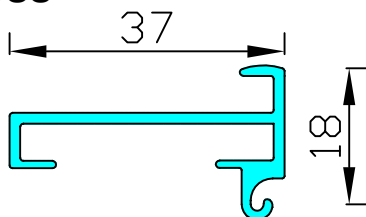
Wt: 1.450 Kgs./12'

Sec. No.-9589



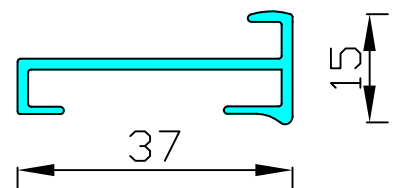
Wt: 1.050 Kgs./12'

Sec. No.-9588



Wt: 1.200 Kgs./12'

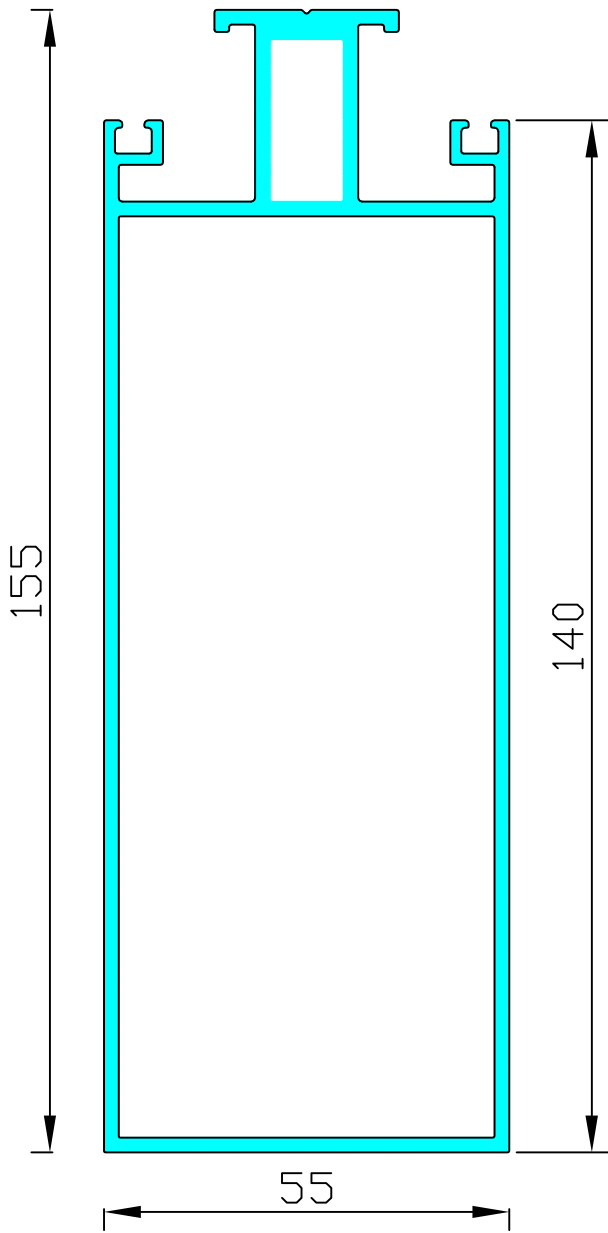
Sec. No.-9586



Wt: 1.100 Kgs./12'

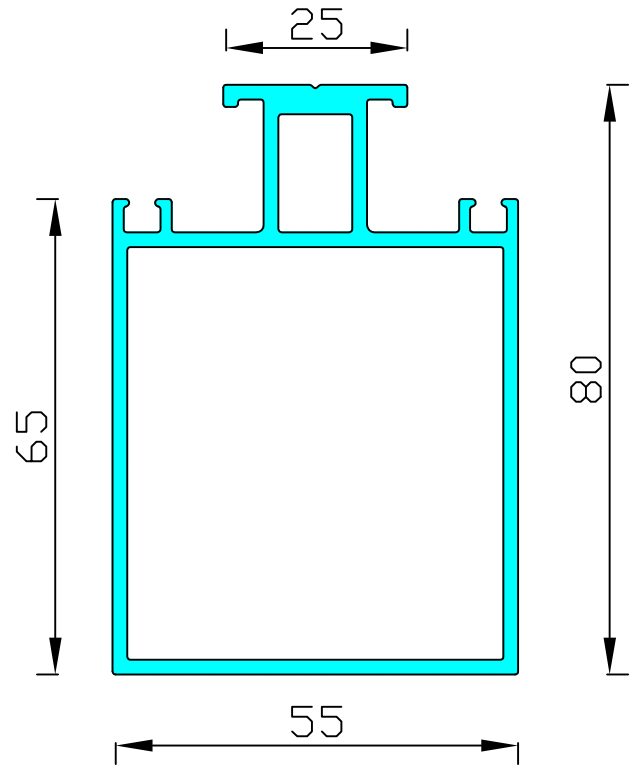


Sec. No.-9591



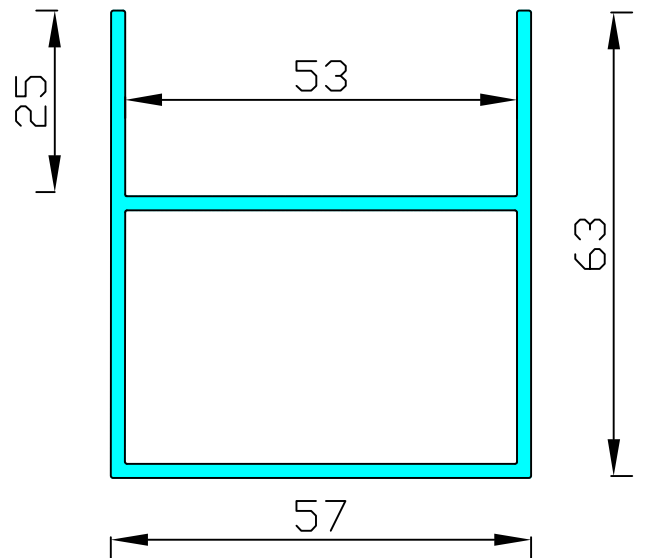
Wt: 9.550 Kgs./12'

Sec. No.-9401

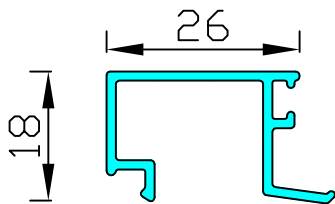


Wt: 6.250 Kgs./12'

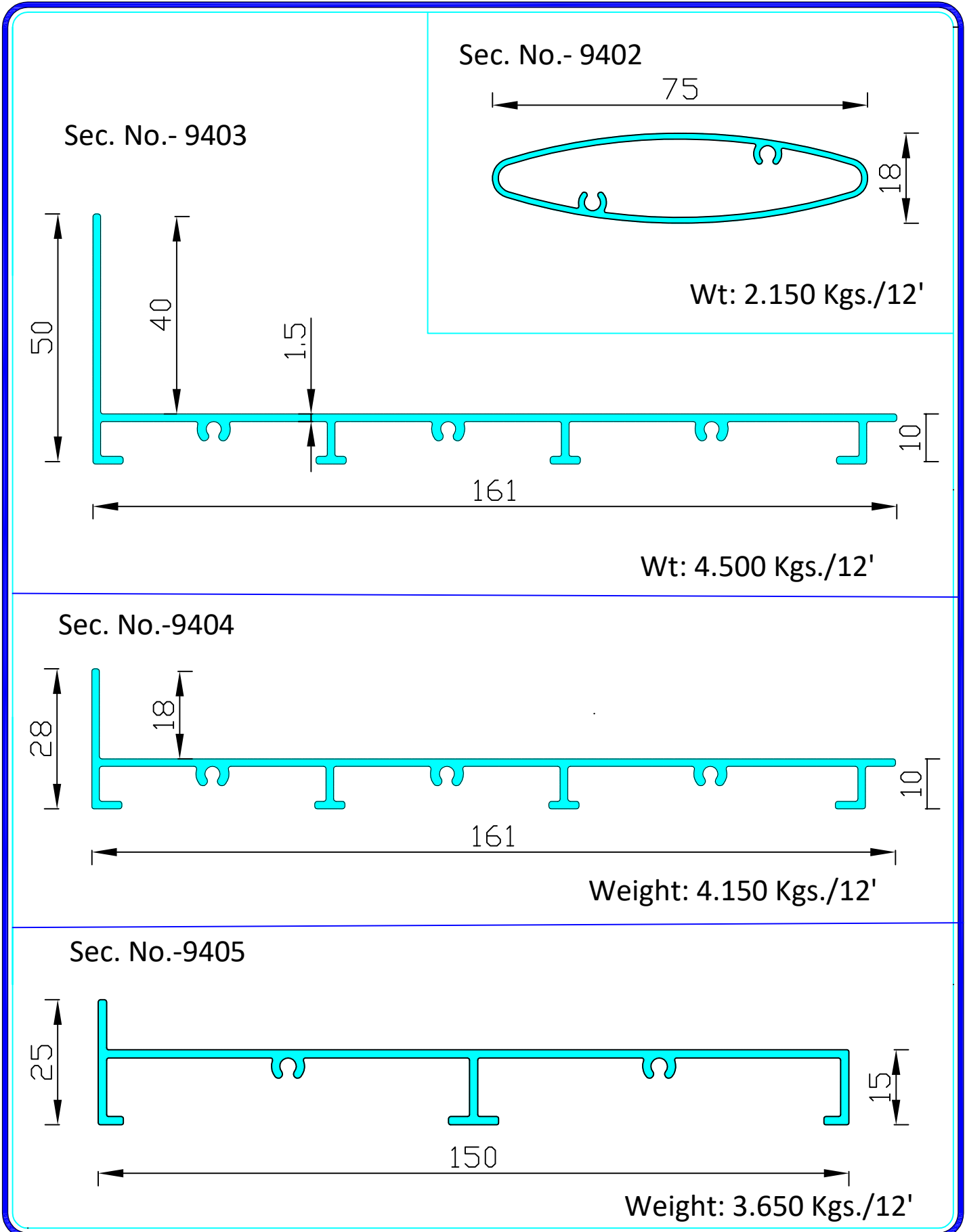
Sec. No.- 9400



Sec. No.- 9465

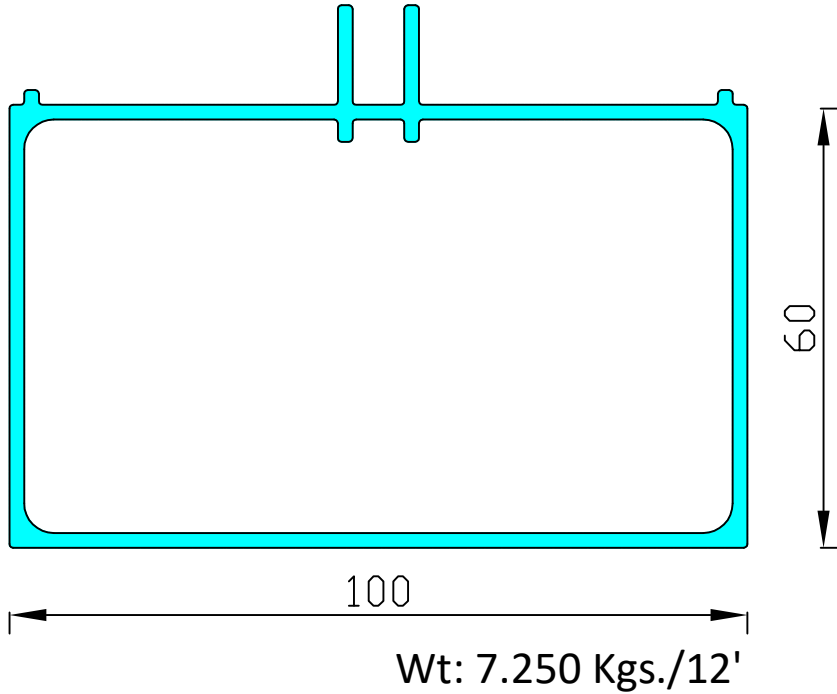


Weight: 1.100 Kgs./12'

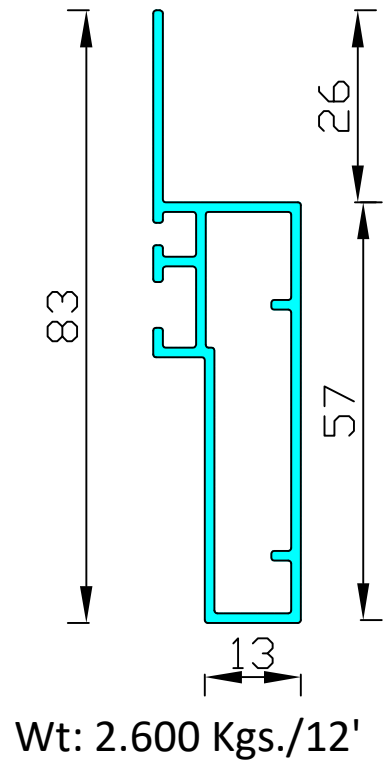




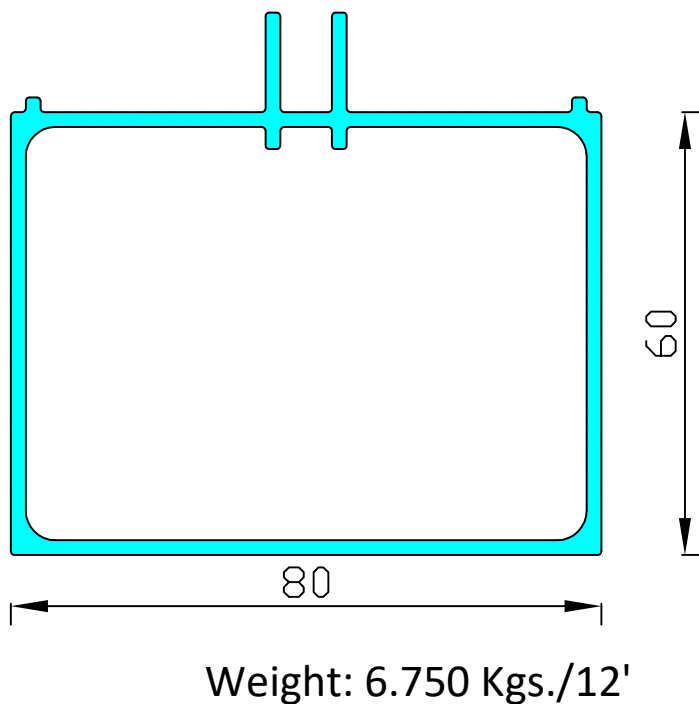
Sec. No.- 9406



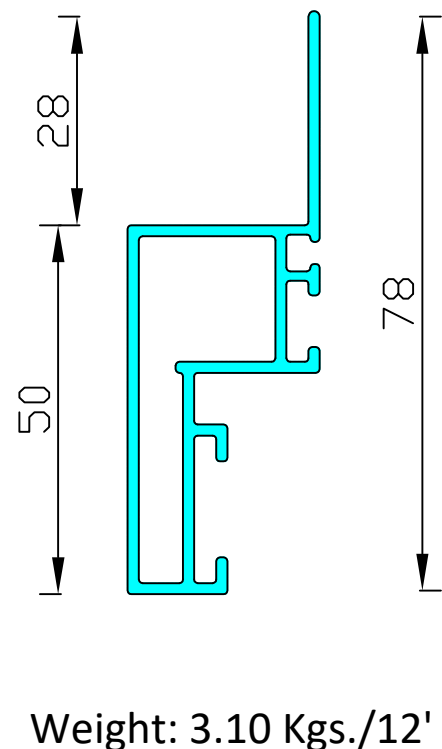
Sec. No.- 9410



Sec. No.-9407

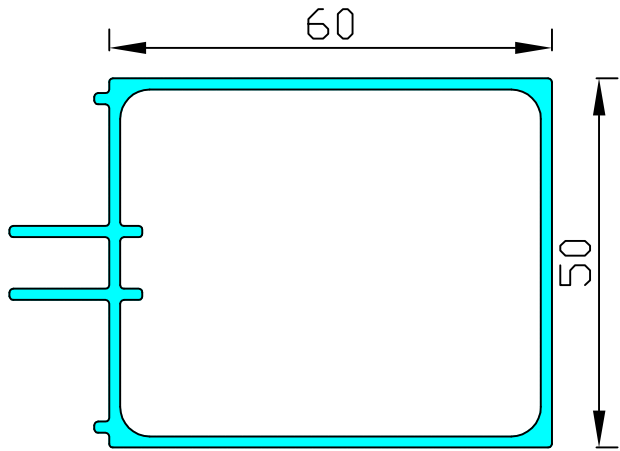


Sec. No.-9409



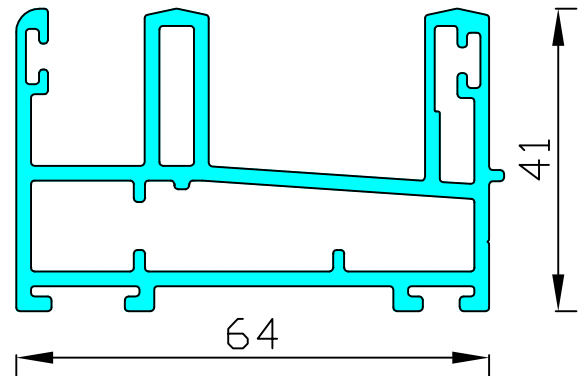


Sec. No.- 9408



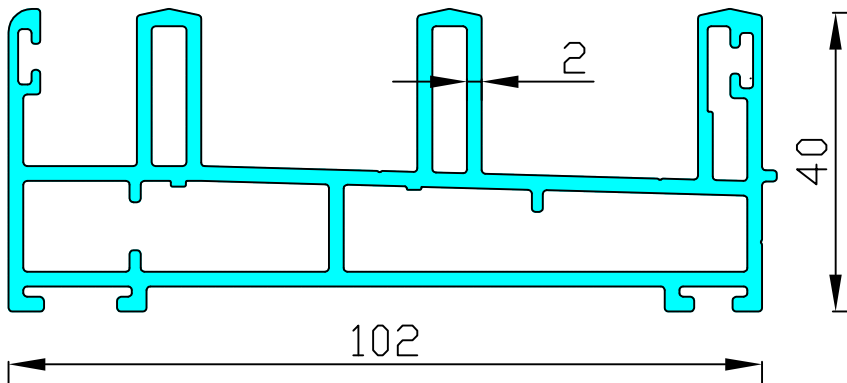
Wt: 4.100 Kgs./12'

Sec. No.- 9411



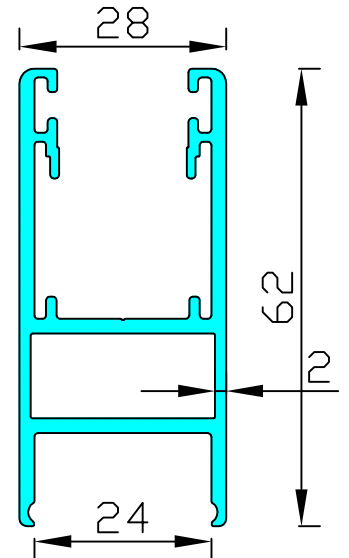
Wt: 6.200 Kgs./12'

Sec. No.-9412



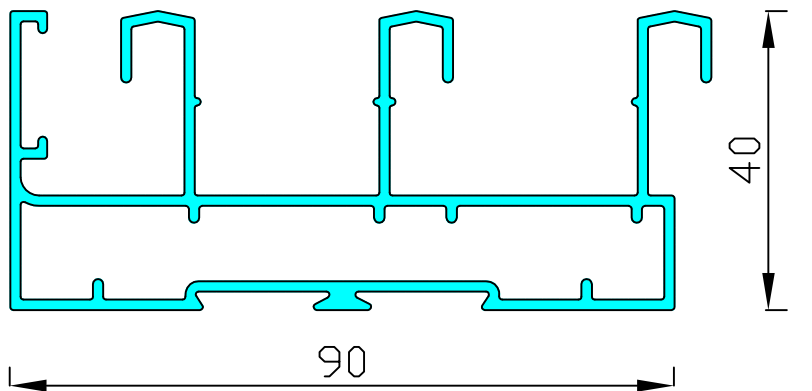
Wt: 8.950 Kgs./12'

Sec. No.-9413



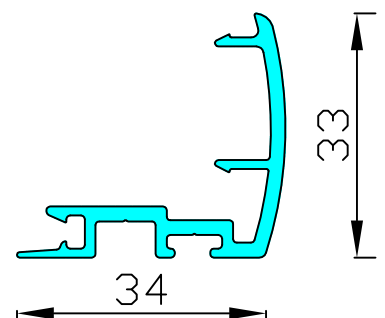
Wt: 4.150 Kgs./12'

Sec. No.-9415



Wt: 6.200 Kgs./12'

Sec. No.-9414



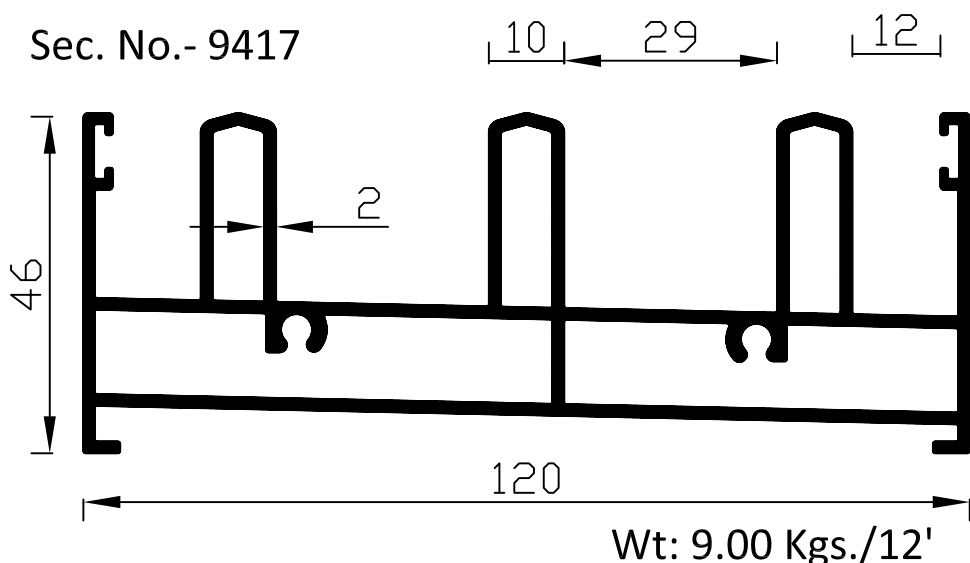
Wt: 1.750 Kgs./12'



# BOMBAY ALUMINIUM PVT. LTD.

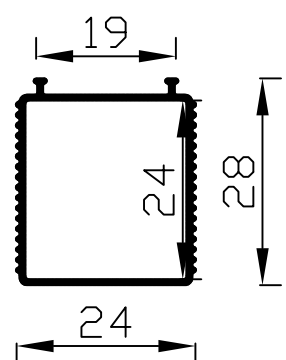
PRODUCED BY AN AUTODESK EDUCATIONAL PRODUCT

Sec. No.- 9417



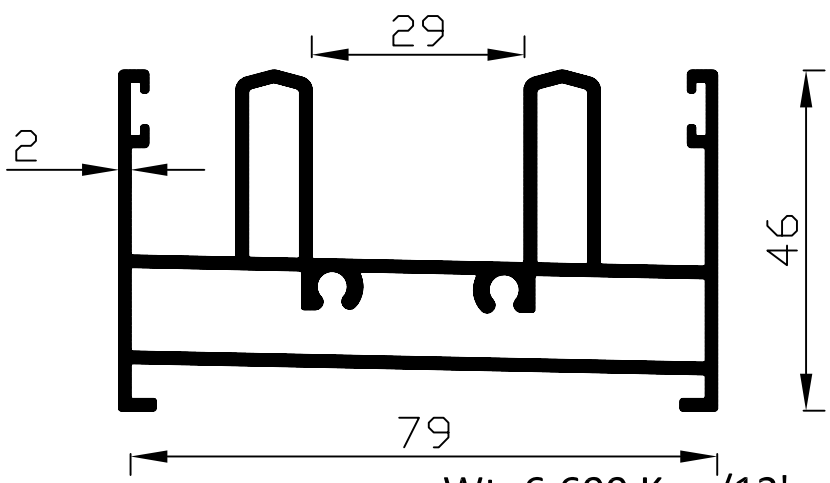
Wt: 9.00 Kgs./12'

Sec. No.EX-9428



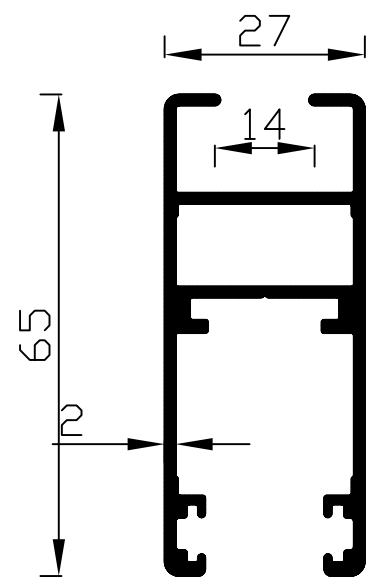
Wt: 1.20 Kgs./12'

Sec. No.-9418



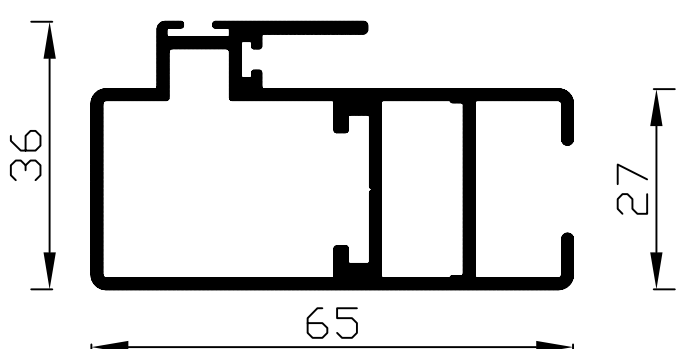
Wt: 6.600 Kgs./12'

Sec. No.-9419



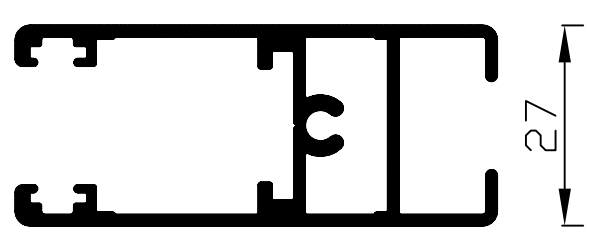
Weight: 3.750 Kgs./12'

Sec. No.-9421



Wt: 4.200 Kgs./12'

Sec. No.-9420

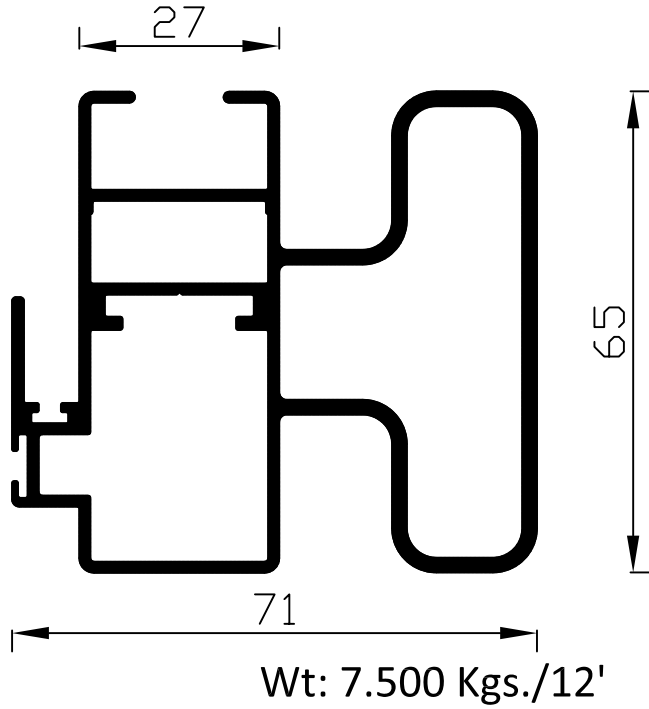


Weight: 3.850 Kgs./12'

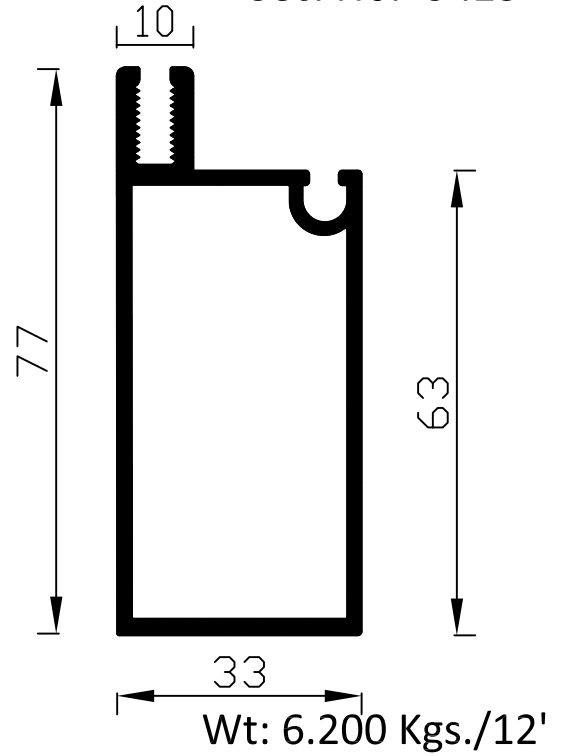


# BOMBAY ALUMINIUM PVT. LTD.

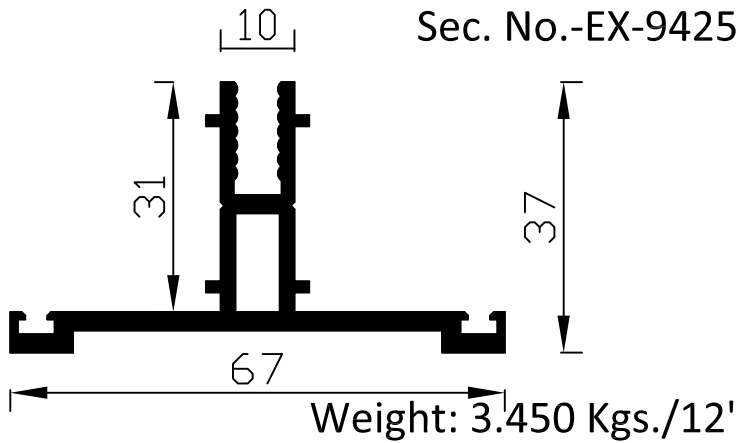
Sec. No.- 9422



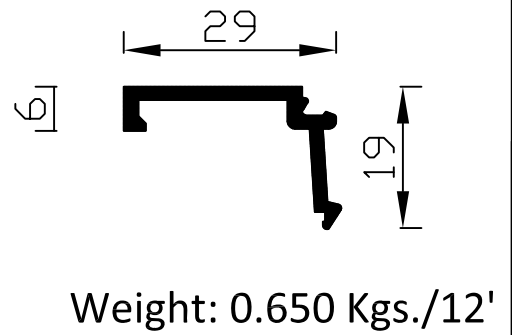
Sec. No.- 9423



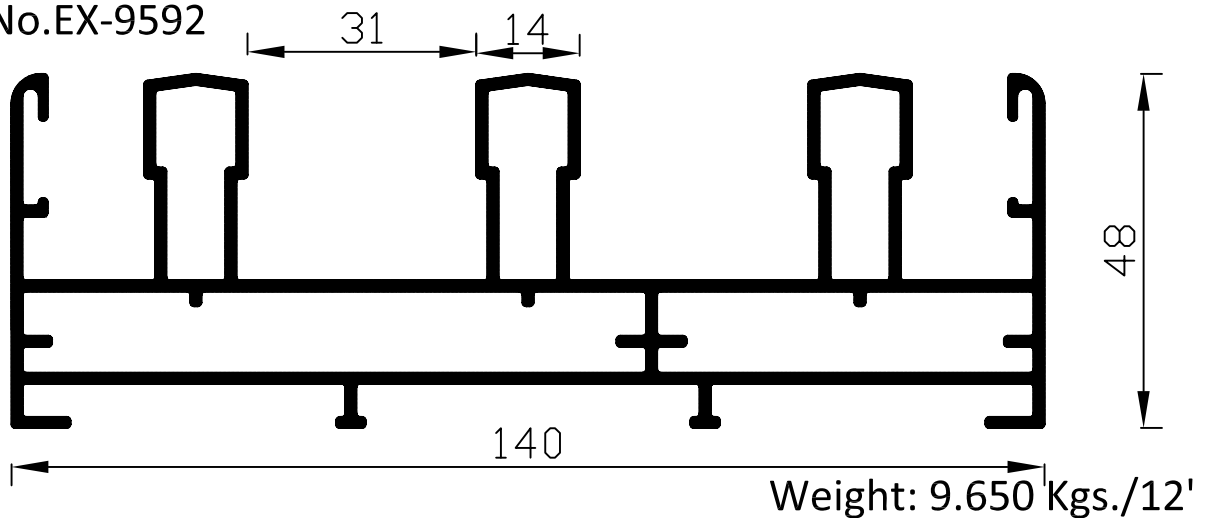
Sec. No.-EX-9425



Sec. No.-EX-9427



Sec. No. EX-9592

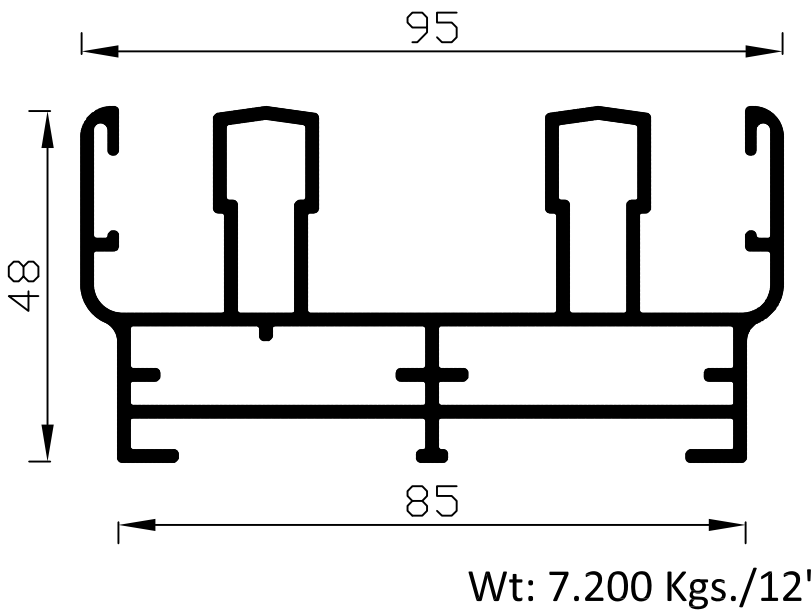




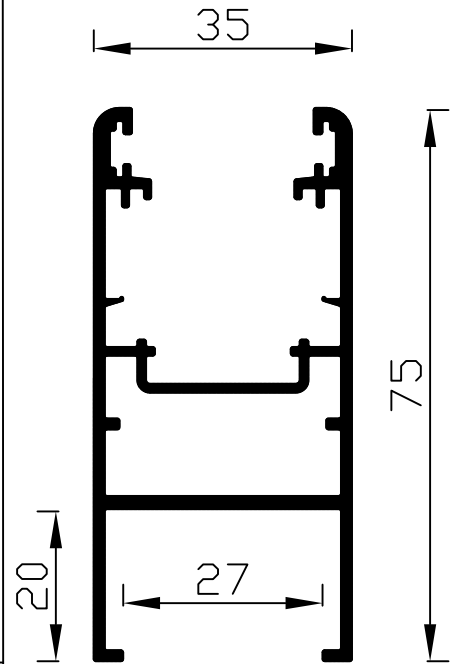


**BOMBAY ALUMINIUM PVT. LTD.**

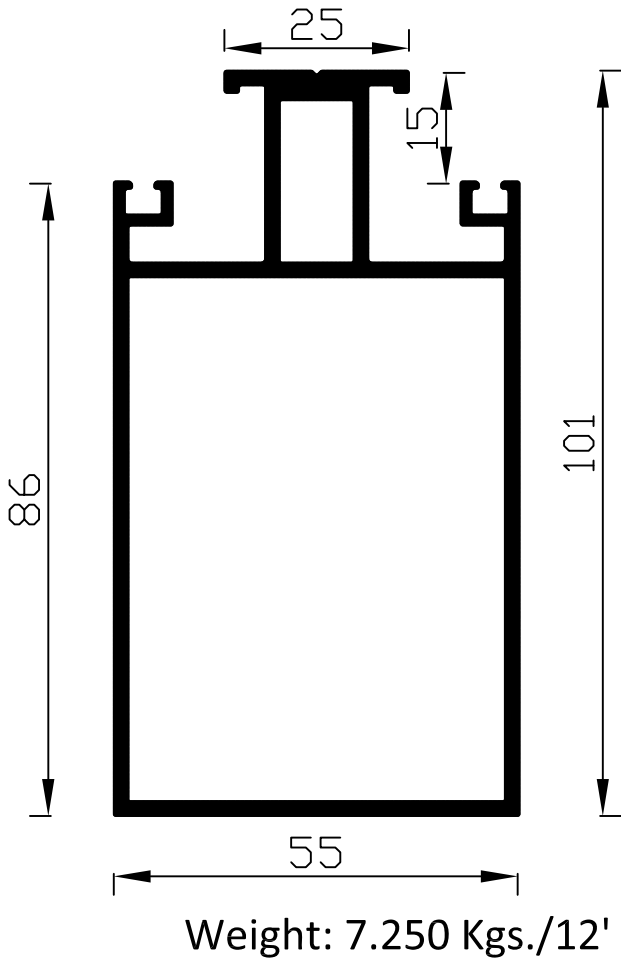
Sec. No.- 9593



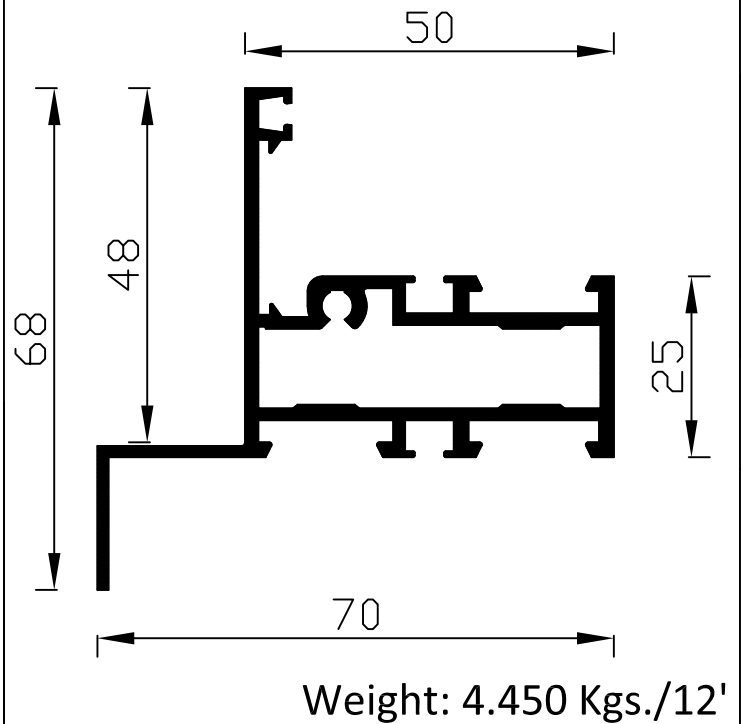
Sec. No.- 9424



Sec. No.-9594



Sec. No.EX-9426



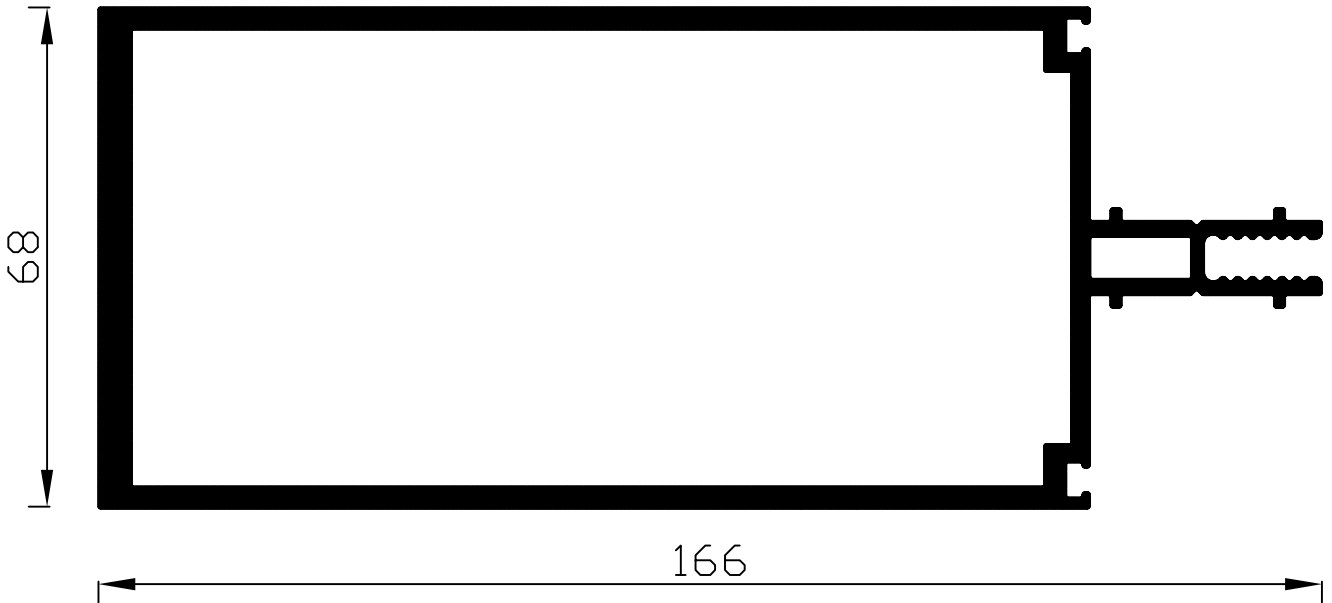
PRODUCED BY AN AUTODESK EDUCATIONAL PRODUCT

PRODUCED BY AN AUTODESK EDUCATIONAL PRODUCT



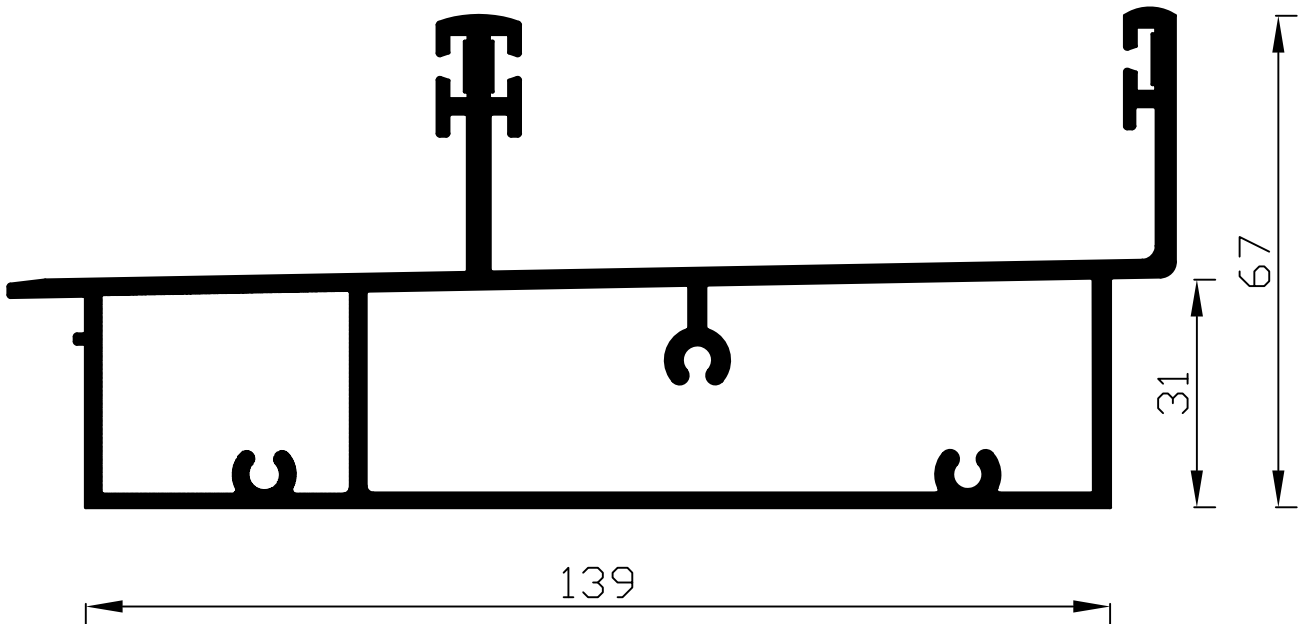
# BOMBAY ALUMINIUM PVT. LTD.

Sec. No.- 9595



Wt: 15.100 Kgs./12'

Sec. No.- 9596



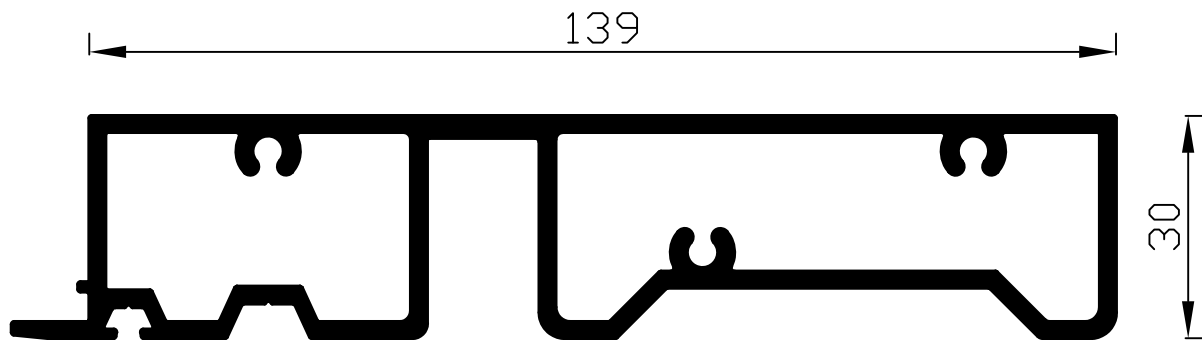
Weight: 11.800 Kgs./12'

BOMBAY ALUMINIUM PVT. LTD. REG. OFF: 13, ABBA APRTMENT, S.V.ROAD, JOGESHWARI (W), MUMBAI 400 102.  
PH: +91- 22 26793866, 26781857, FAX: +91 22 26794580. E-mail: bombayaluminium@gmail.com URL: bombayaluminium.com



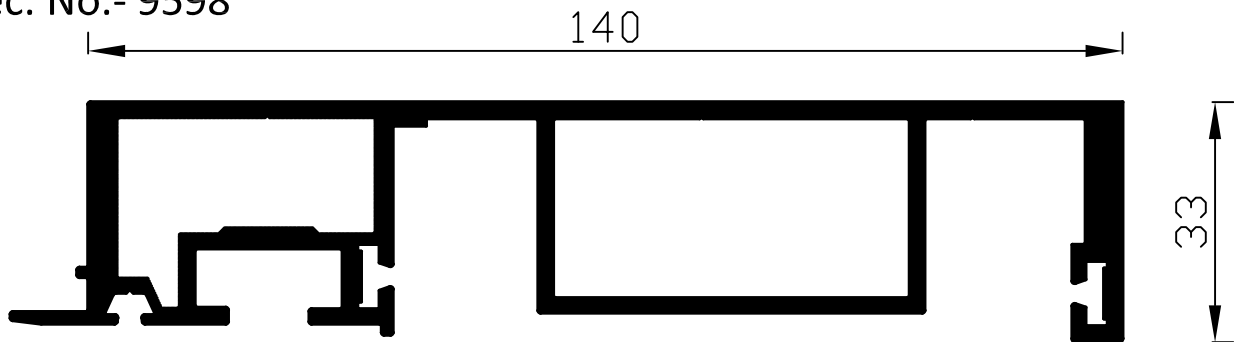
# BOMBAY ALUMINIUM PVT. LTD.

Sec. No.- 9597



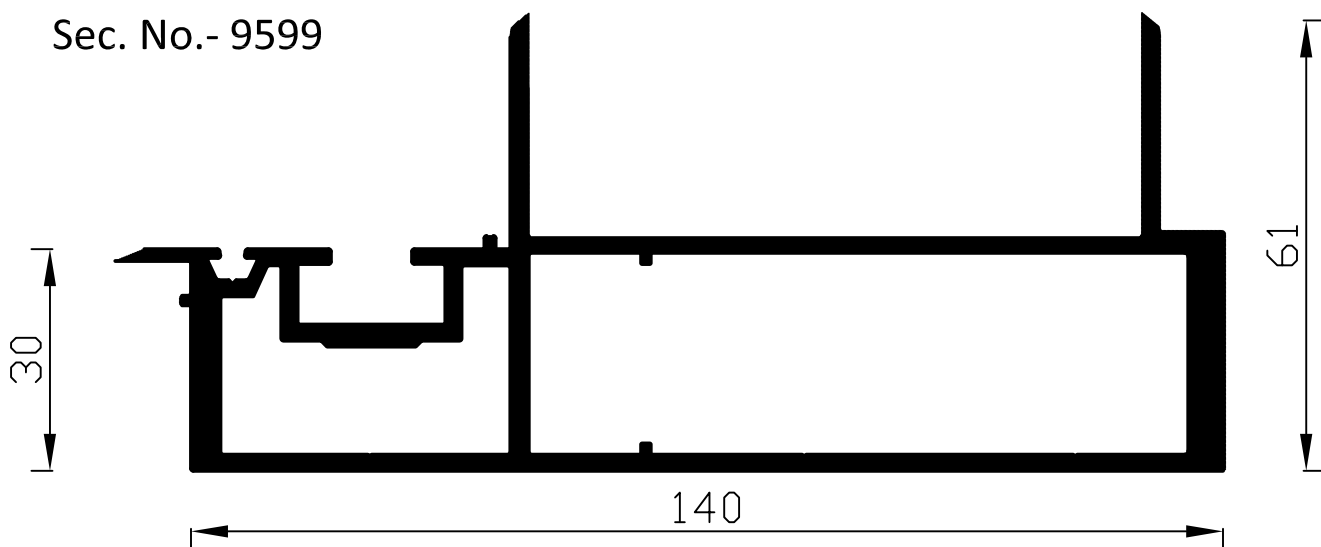
Wt: 9.450 Kgs./12'

Sec. No.- 9598



Wt: 9.900 Kgs./12'

Sec. No.- 9599



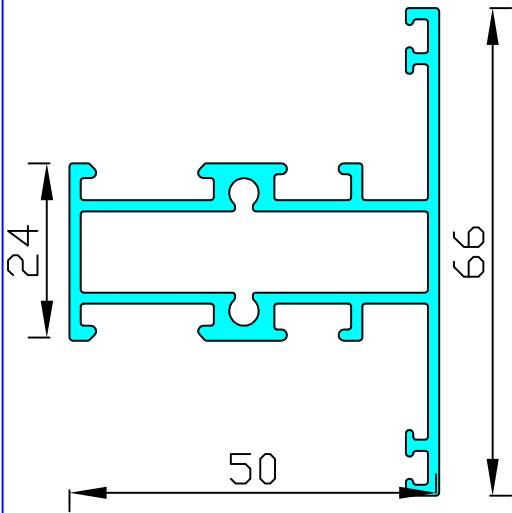
Wt: 11.500 Kgs./12'

PRODUCED BY AN AUTODESK EDUCATIONAL PRODUCT

PRODUCED BY AN AUTODESK EDUCATIONAL PRODUCT

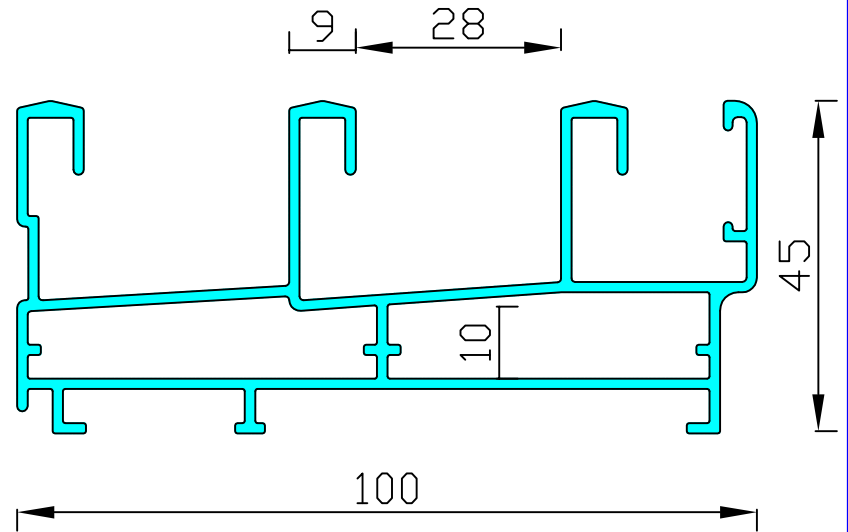


Sec. No.- 9435



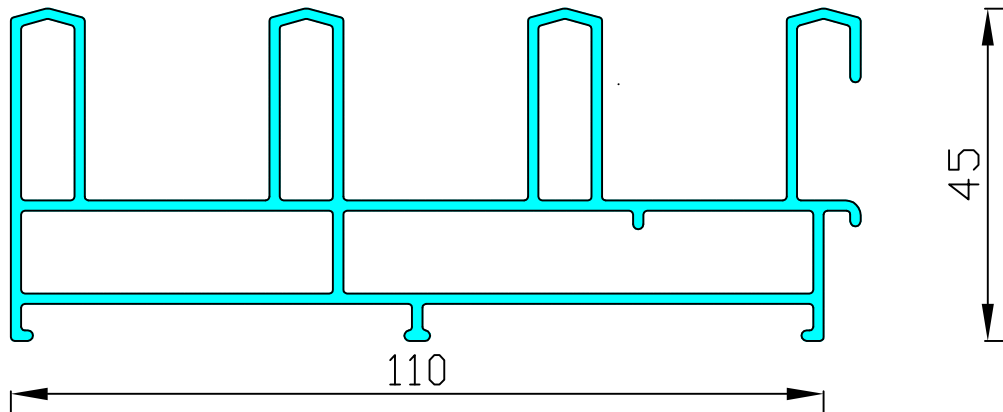
Wt: 4.100 Kgs./12'

Sec. No.- 9428



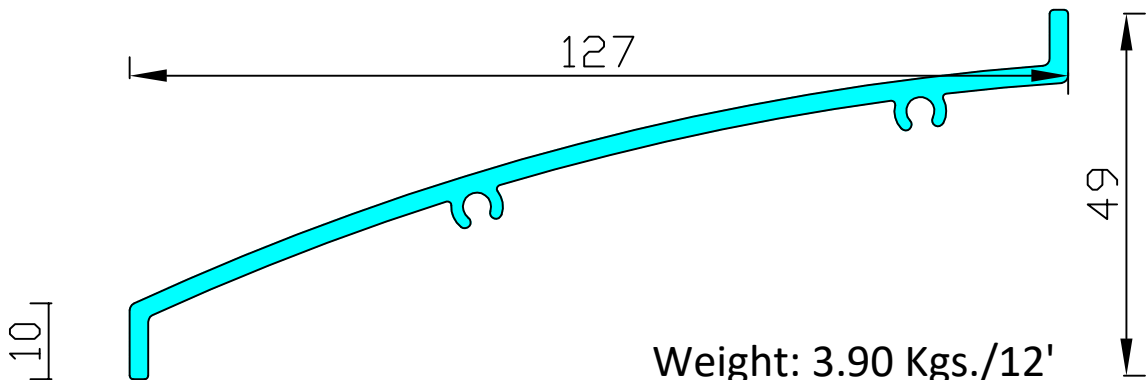
Wt: 6.200 Kgs./12'

Sec. No.-9429



Weight: 7.10 Kgs./12'

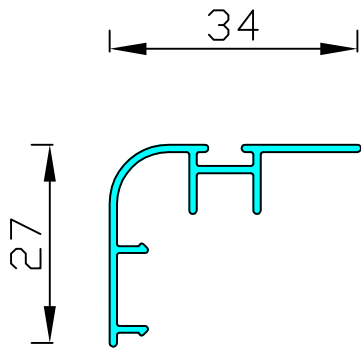
Sec. No.-9430



Weight: 3.90 Kgs./12'

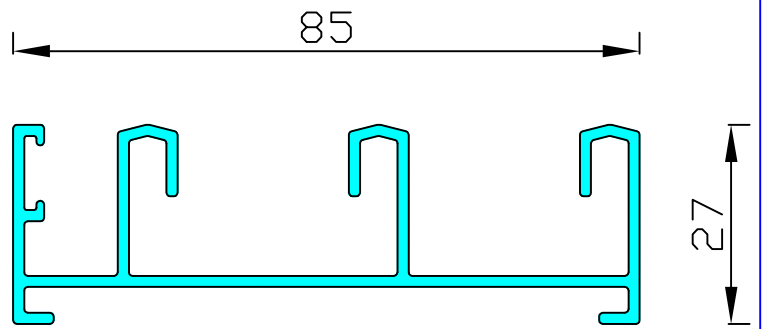


Sec. No.- 9434



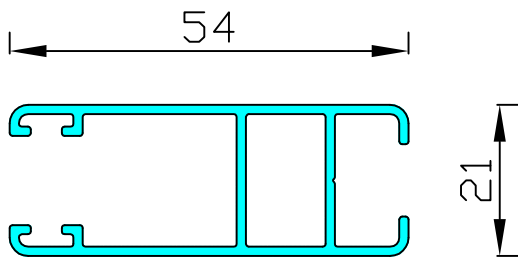
Wt: 0.950 Kgs./12'

Sec. No.- 9432



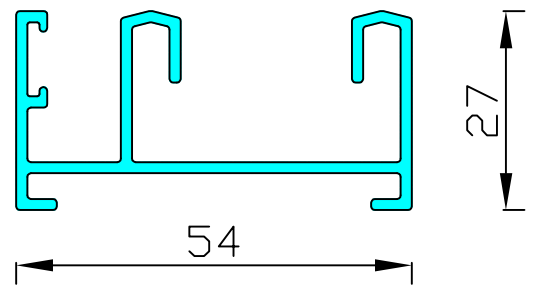
Wt: 3.60 Kgs./12'

Sec. No.-9433



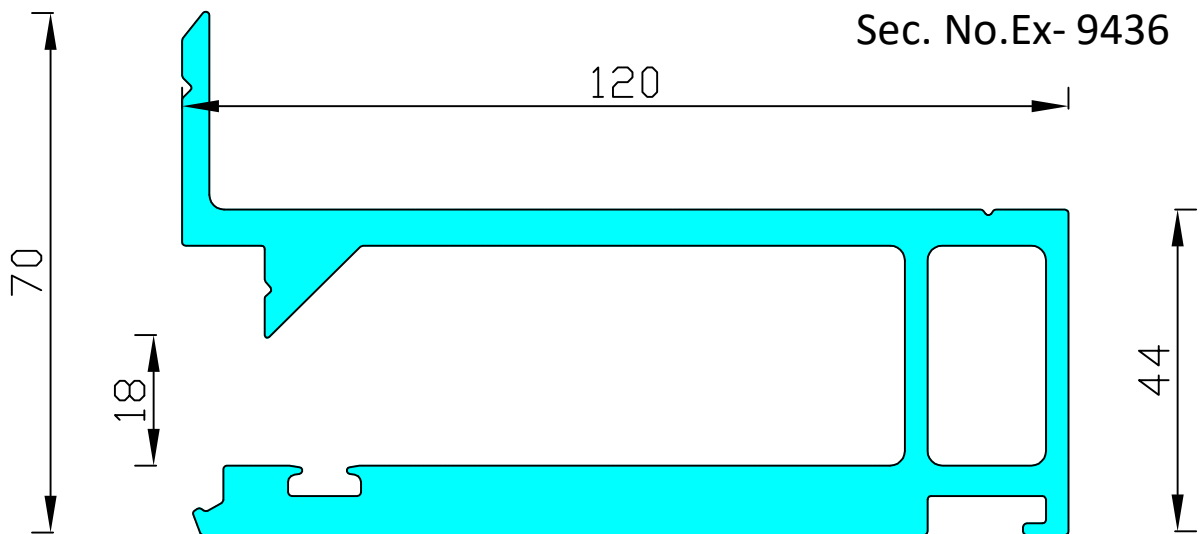
Wt: 2.20 Kgs./12'

Sec. No.-9431



Weight: 2.60 Kgs./12'

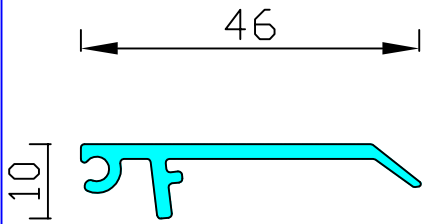
Sec. No.Ex- 9436



Weight: 19.250 Kgs./12'

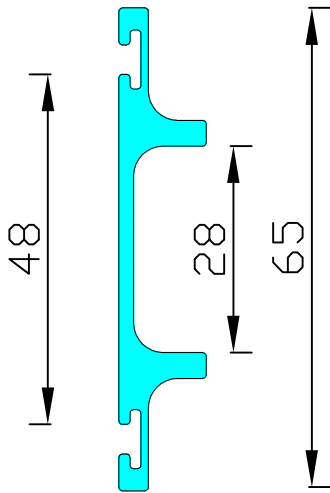


Sec. No.Ex- 9437



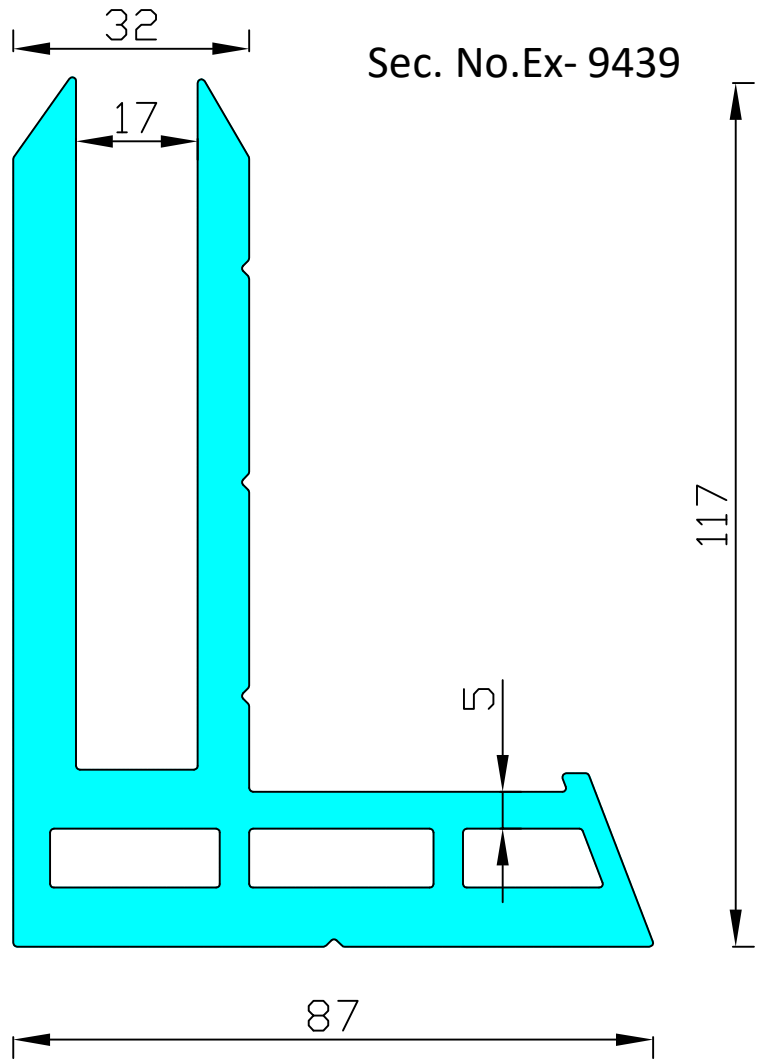
Wt: 1.300 Kgs./12'

Sec. No.Ex-9438



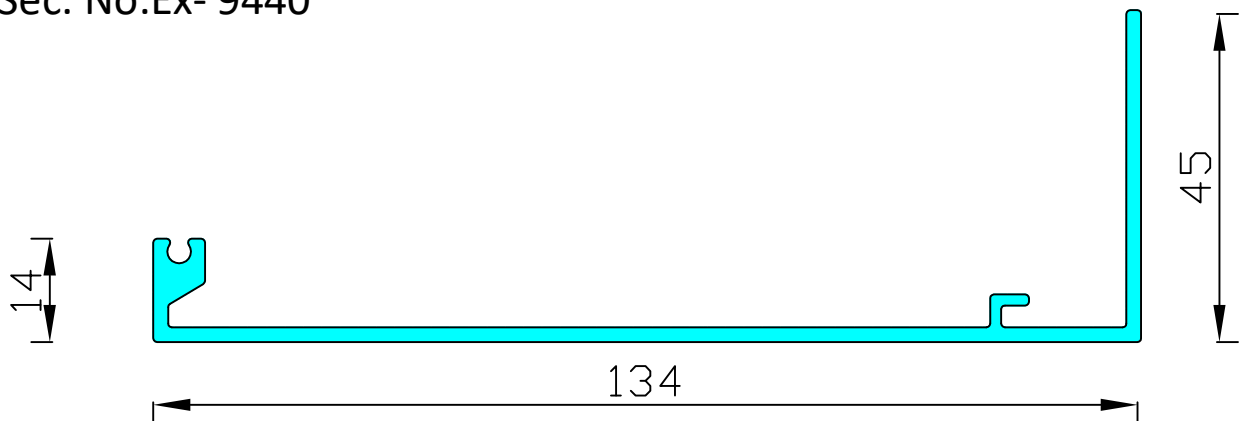
Wt: 2.50 Kgs./12'

Sec. No.Ex- 9439



Weight: 27.00 Kgs./12'

Sec. No.Ex- 9440

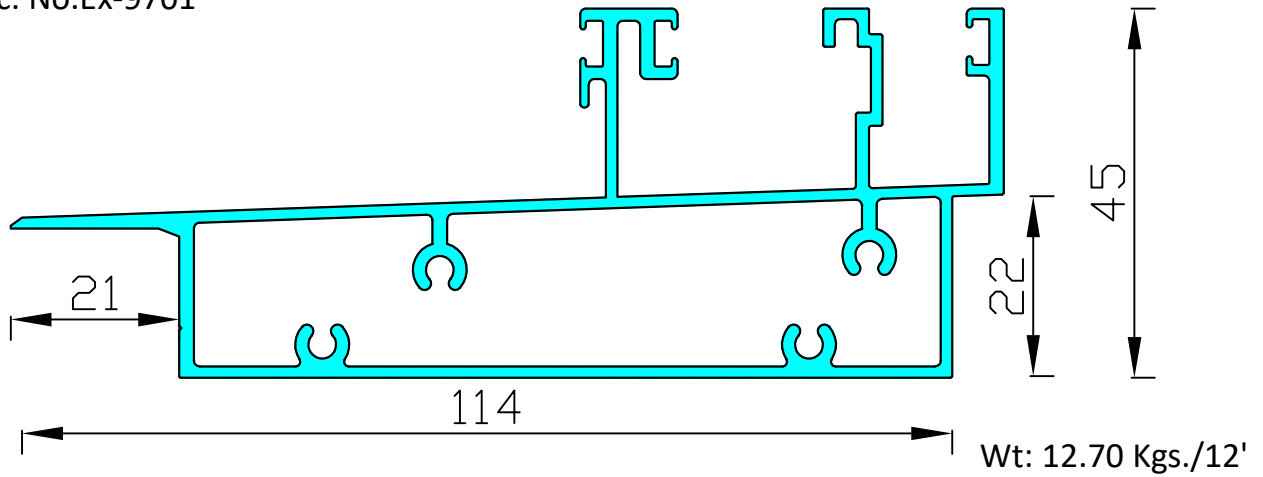


Weight: 4.100 Kgs./12'

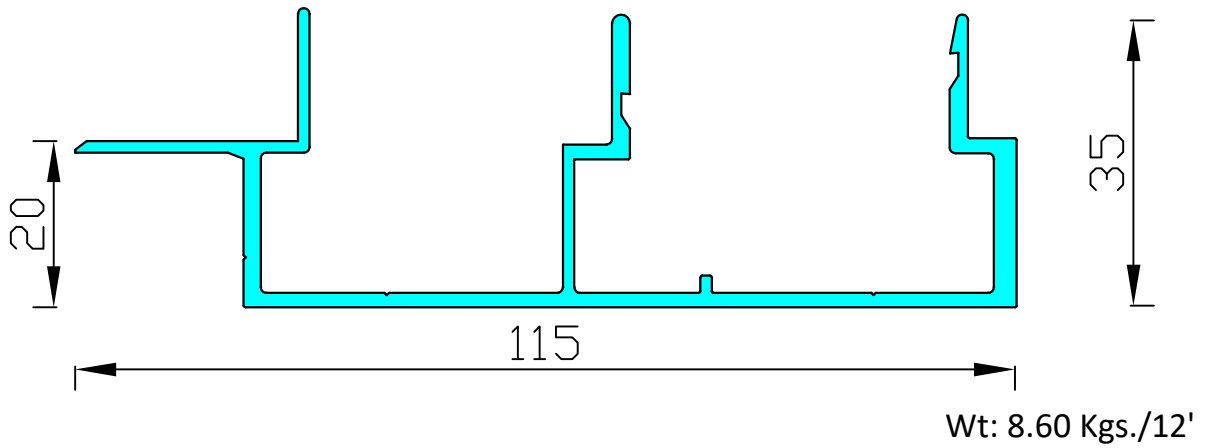


# BOMBAY ALUMINIUM PVT. LTD.

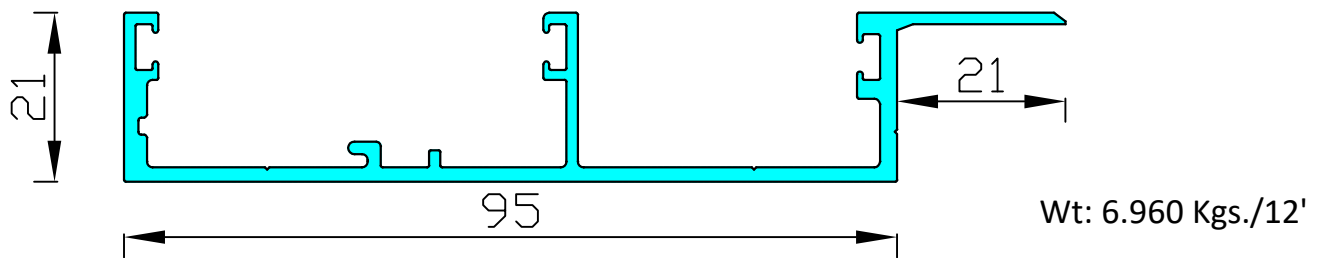
Sec. No.Ex-9701



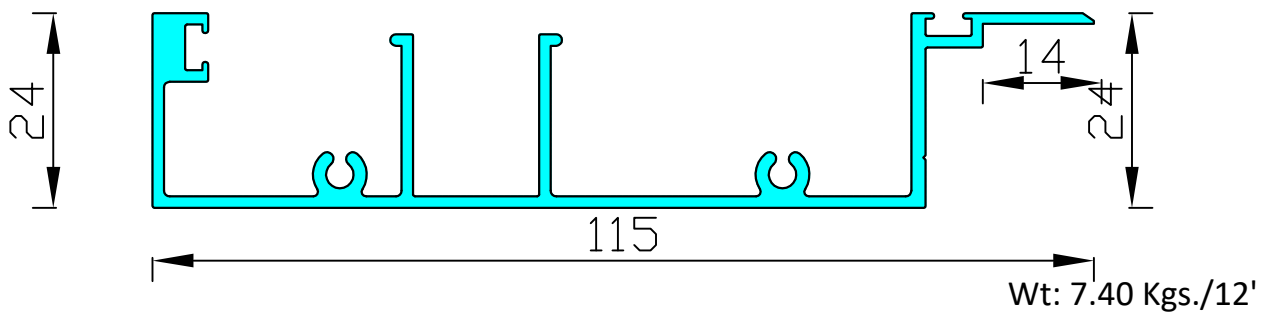
Sec. No.Ex-9702



Sec. No.Ex-9703

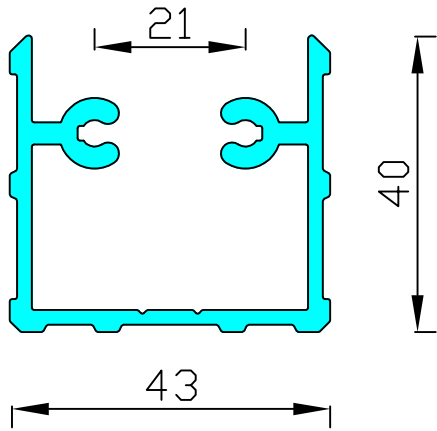


Sec. No.Ex-9704



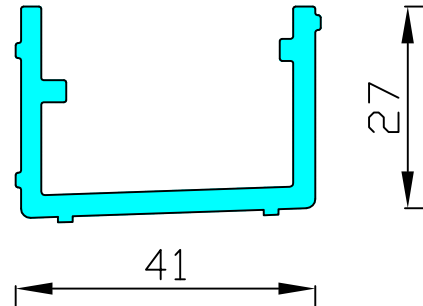


Sec. No.- 9441



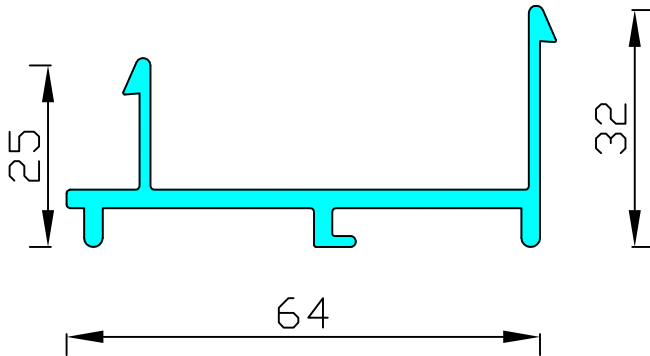
Weight: 4.00 Kgs./12'

Sec. No.Ex-9707



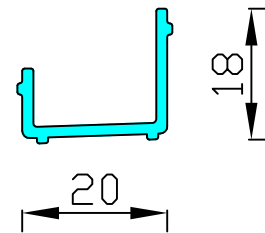
Weight: 2.850 Kgs./12'

Sec. No.Ex-9706



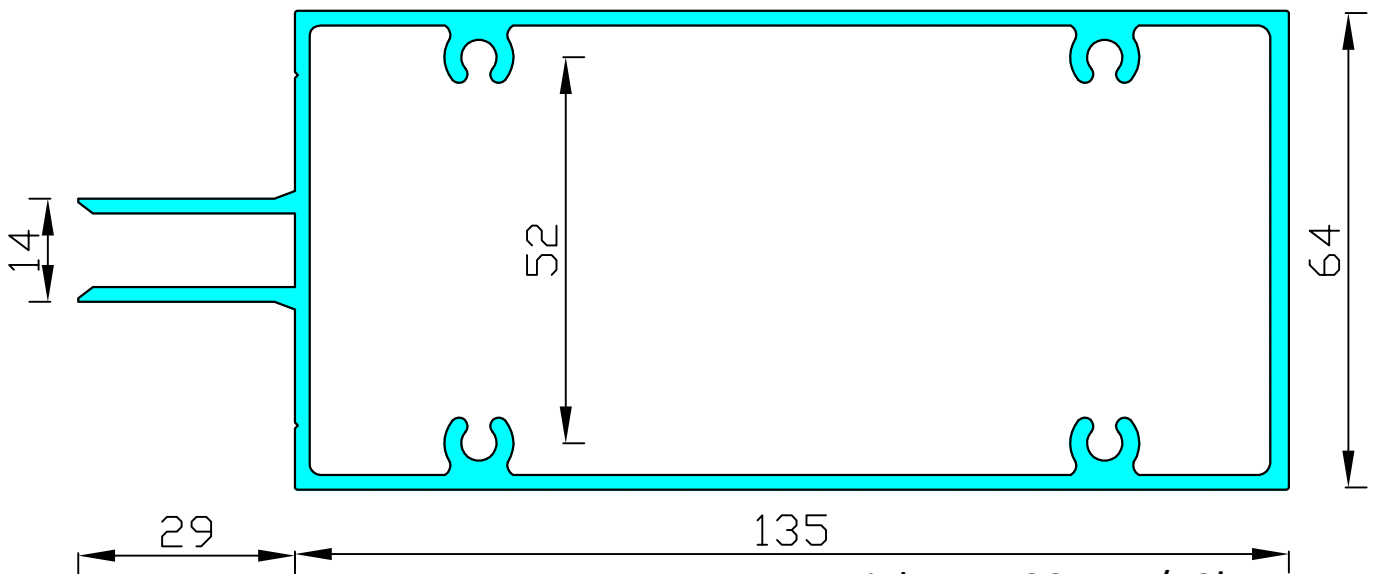
Wt: 2.80 Kgs./12'

Sec. No.Ex-9708



Weight: 0.700 Kgs./12'

Sec. No.Ex-9705



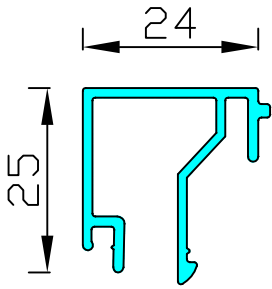
Weight: 11.00 Kgs./12'





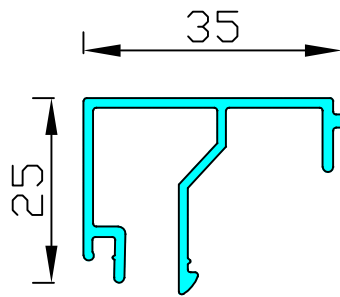
# BOMBAY ALUMINIUM PVT. LTD.

Sec. No.- 9709



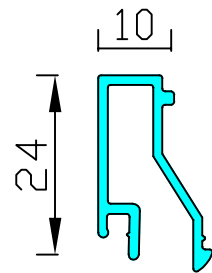
Wt: 1.250 Kgs./12'

Sec. No.- 9710



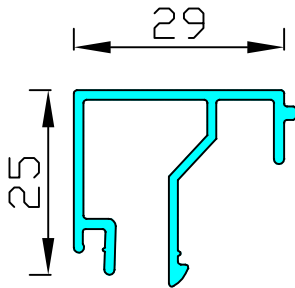
Wt: 1.350 Kgs./12'

Sec. No.-9711



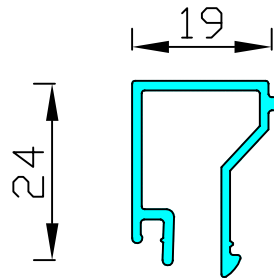
Wt: 0.900 Kgs./12'

Sec. No.- 9712



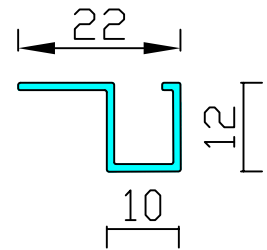
Wt: 1.30 Kgs./12'

Sec. No.-9713



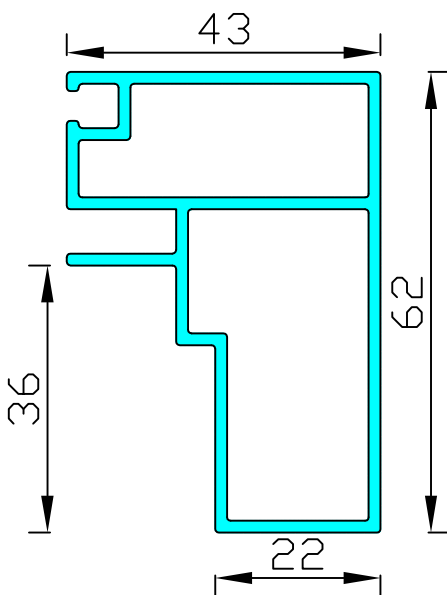
Wt: 1.050 Kgs./12'

Sec. No.-9714



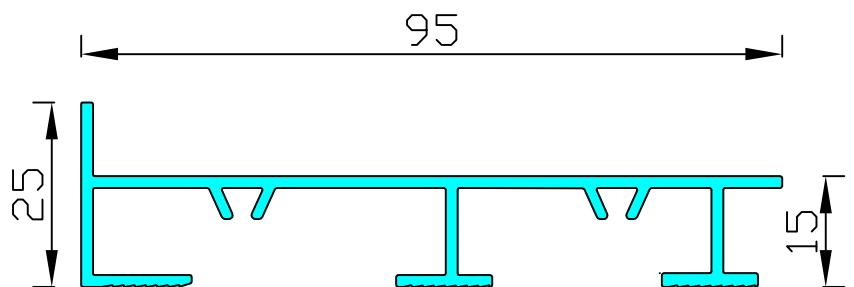
Wt: 1.050 Kgs./12'

Sec. No.- 9442



Wt: 4.20 Kgs./12'

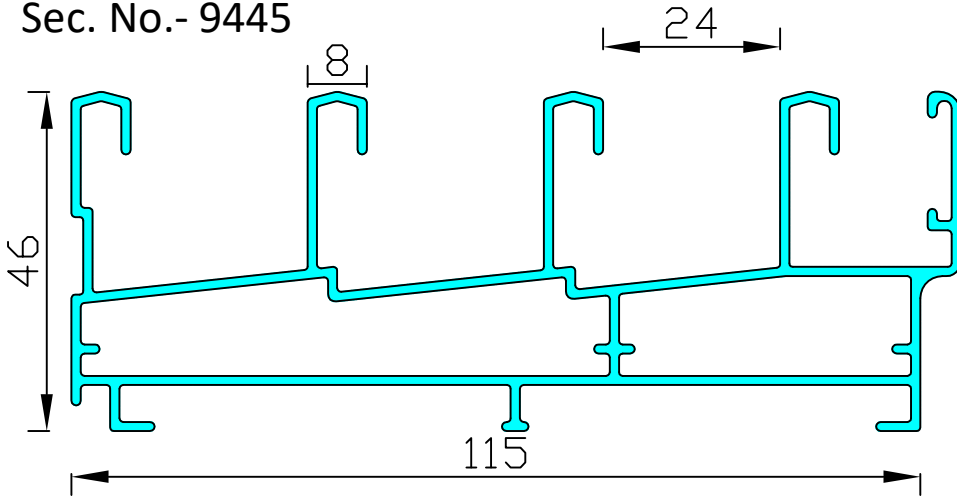
Sec. No.- 9449



Wt: 2.90 Kgs./12'

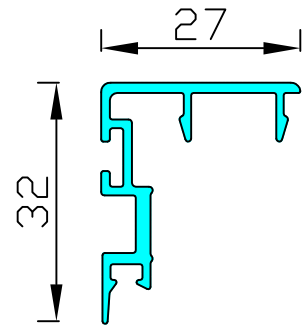


Sec. No.- 9445



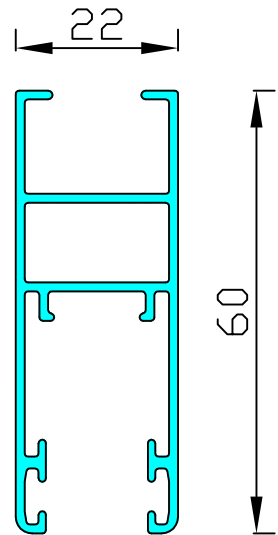
Wt: 6.450 Kgs./12'

Sec. No.-9448



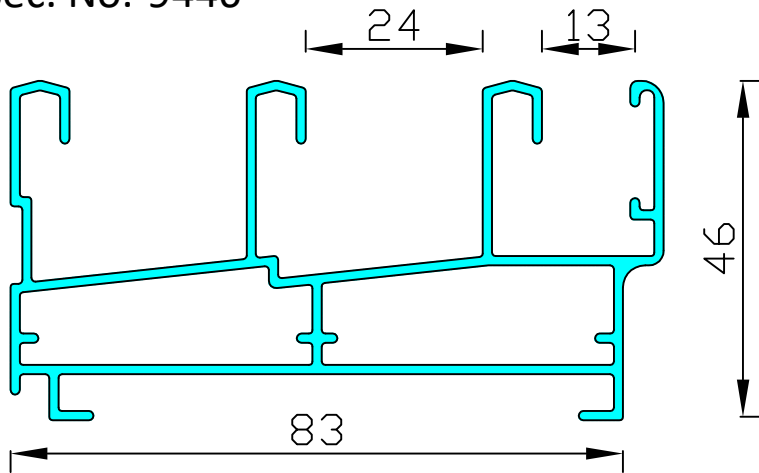
Wt: 1.250 Kgs./12'

Sec. No.- 9447



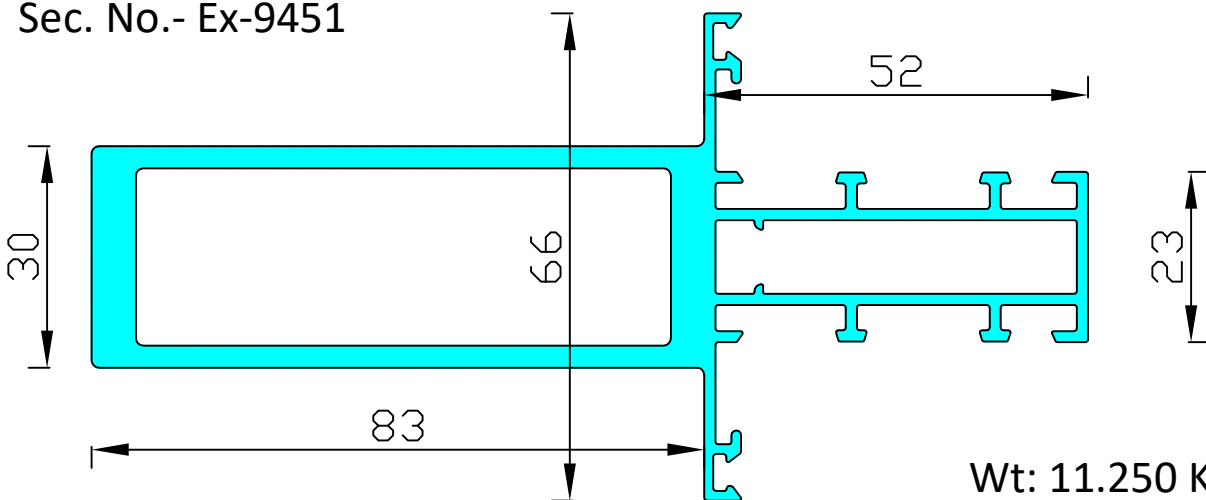
Wt: 2.50 Kgs./12'

Sec. No.-9446



Wt: 5.00 Kgs./12'

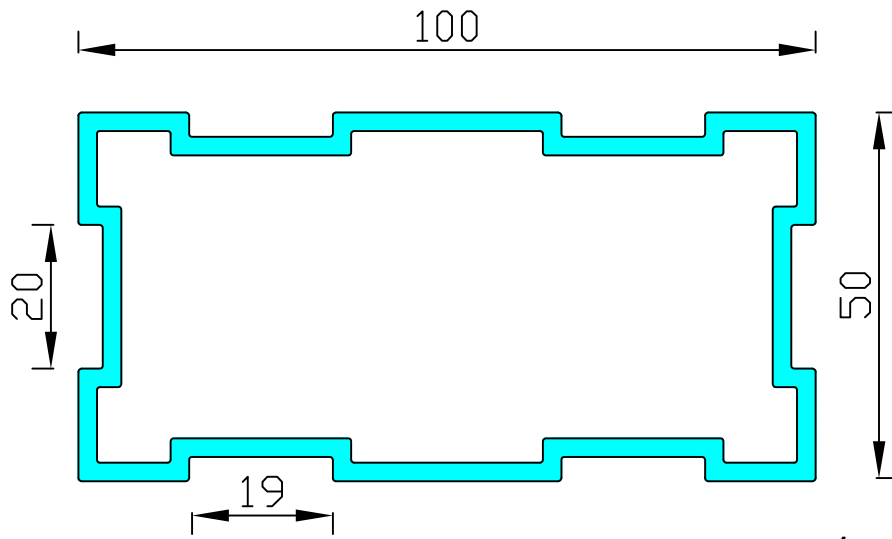
Sec. No.- Ex-9451



Wt: 11.250 Kgs./12'

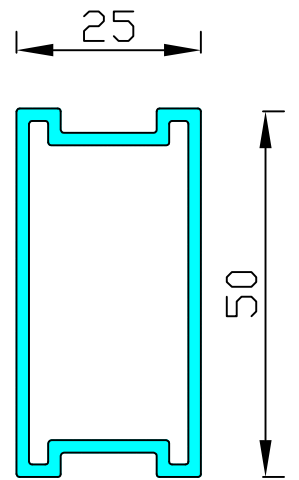


Sec. No.- 9453



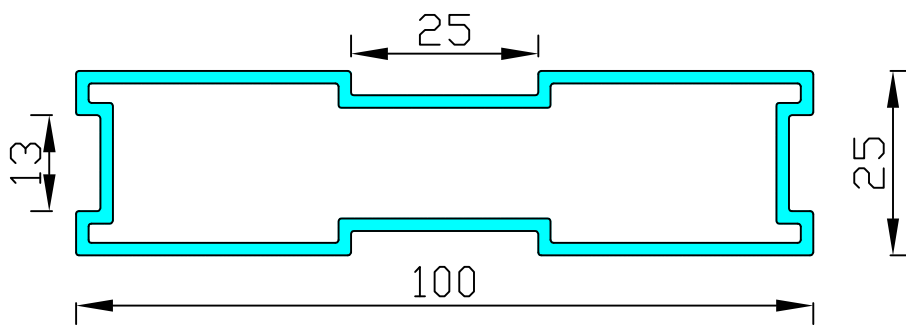
Wt: 8.200 Kgs./12'

Sec. No.- 9456



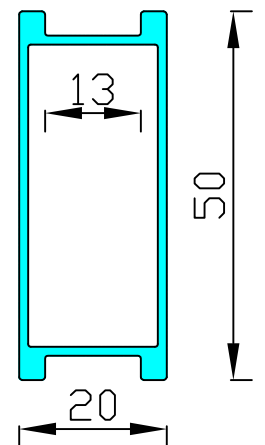
Wt: 2.700 Kgs./12'

Sec. No.- 9454



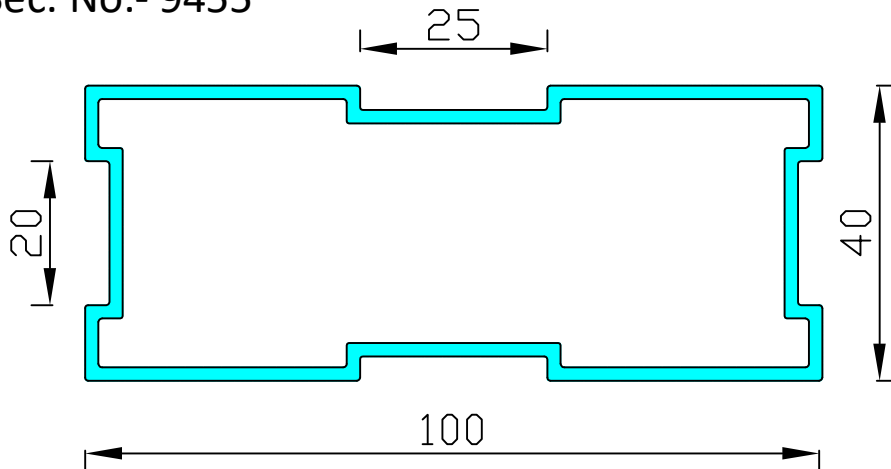
Wt: 4.600 Kgs./12'

Sec. No.- 9457



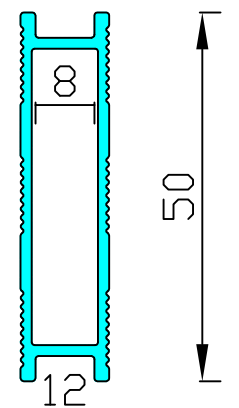
Wt: 2.00 Kgs./12'

Sec. No.- 9455



Wt: 5.400 Kgs./12'

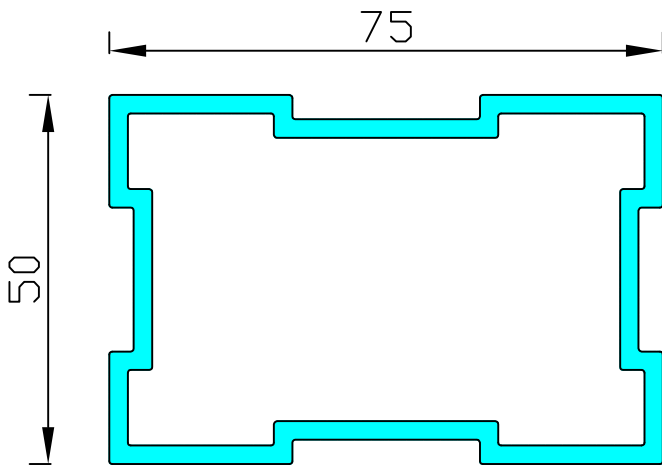
Sec. No.- 9463



Wt: 1.850 Kgs./12'

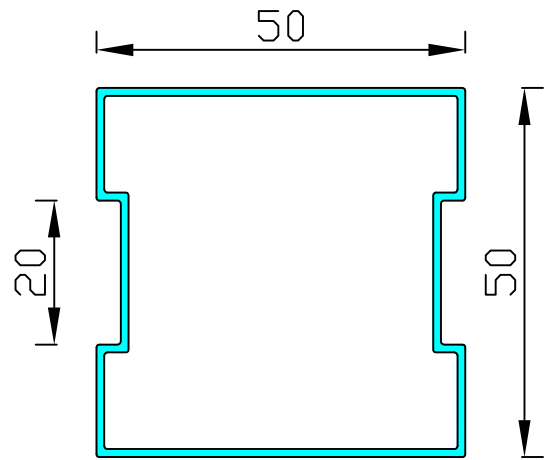


Sec. No.- 9458



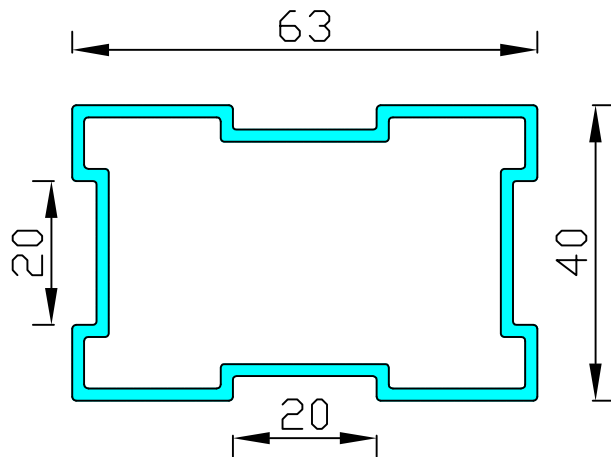
Wt: 6.700 Kgs./12'

Sec. No.- 9461



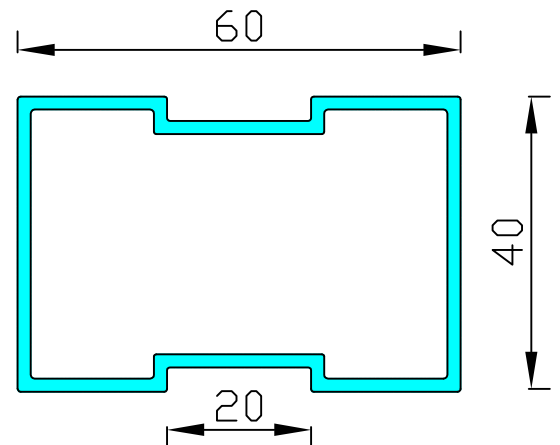
Wt: 2.200 Kgs./12'

Sec. No.- 9459



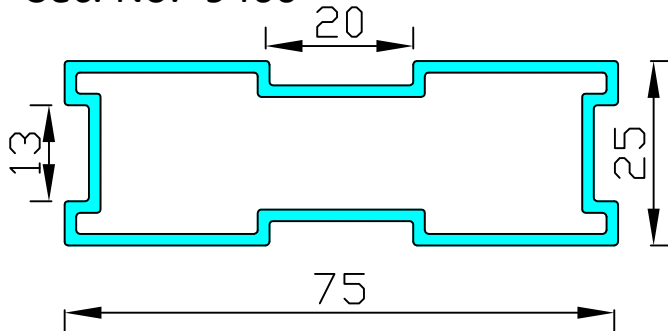
Wt: 3.600 Kgs./12'

Sec. No.- 9462



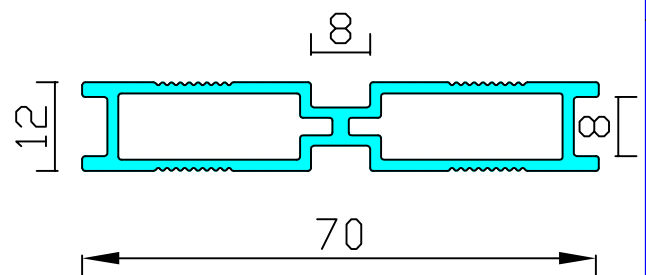
Wt: 3.600 Kgs./12'

Sec. No.- 9460



Wt: 3.500 Kgs./12'

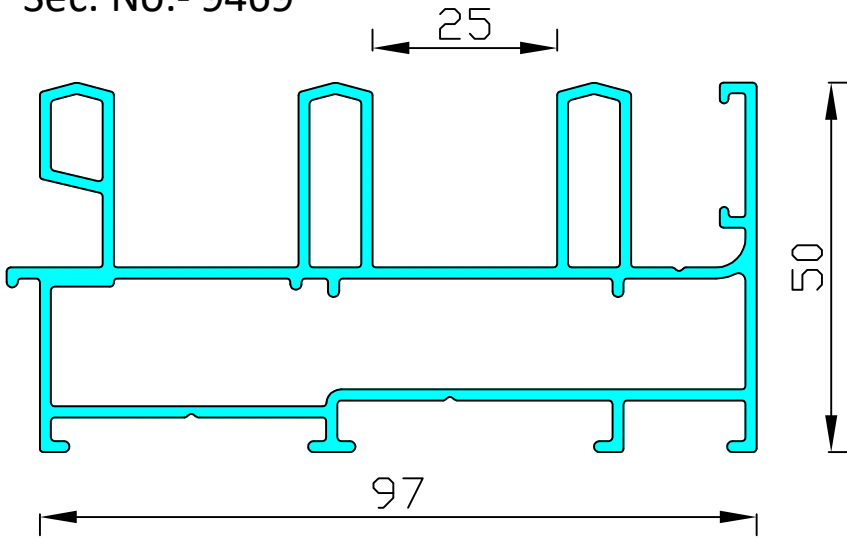
Sec. No.- 9464



Wt: 2.700 Kgs./12'

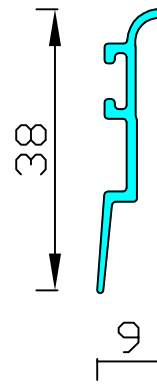


Sec. No.- 9469



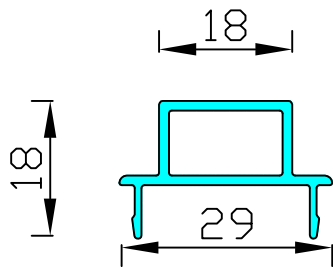
Wt: 7.100 Kgs./12'

Sec. No.- 9470



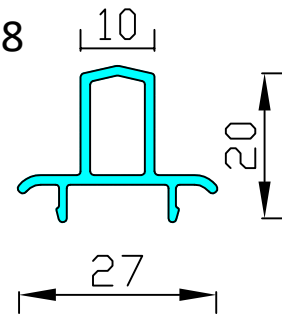
Wt: 0.800 Kgs./12'

Sec. No.-9466



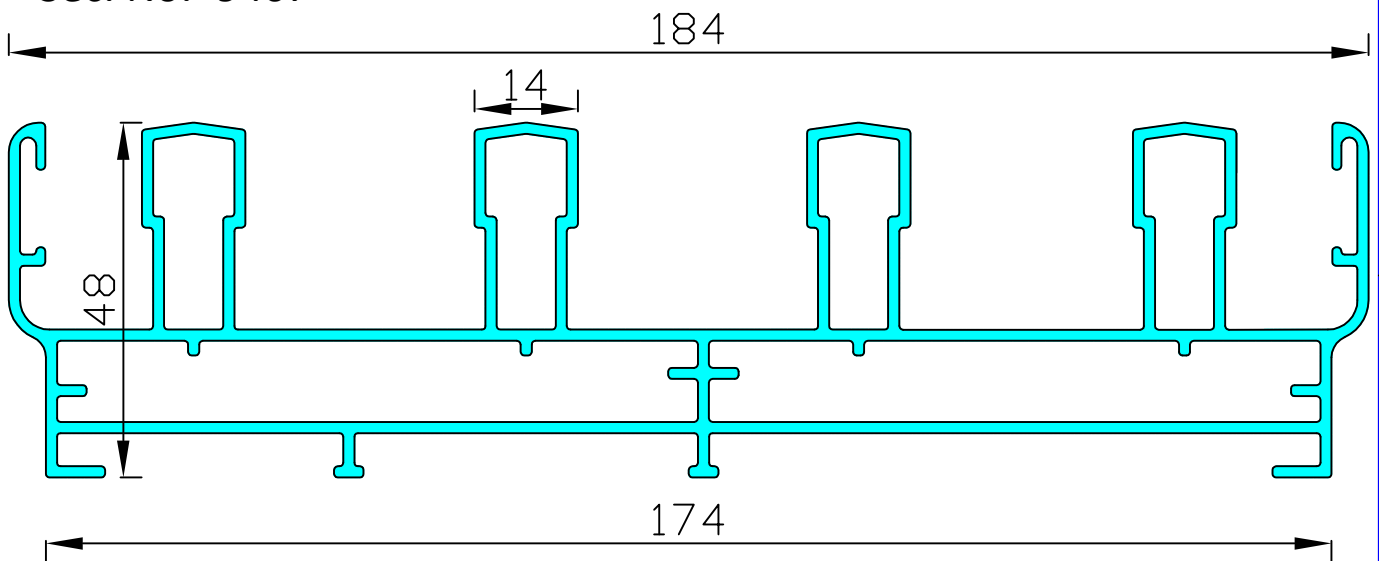
Wt: 1.20 Kgs./12'

Sec. No.-9468



Wt: 1.160 Kgs./12'

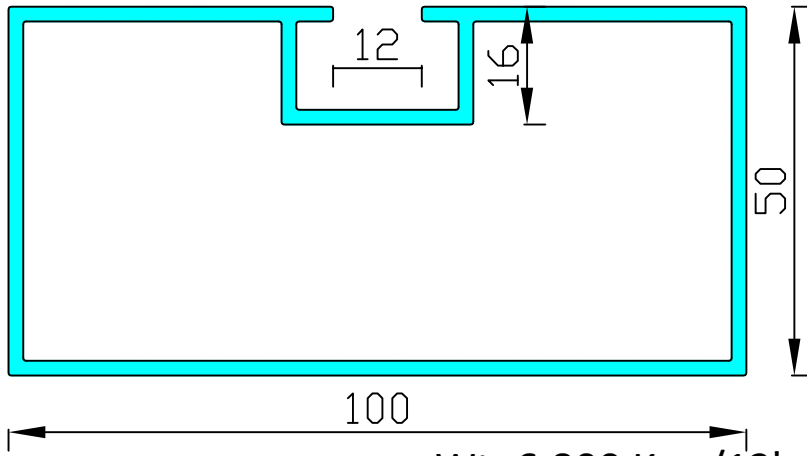
Sec. No.- 9467



Wt: 12.500 Kgs./12'

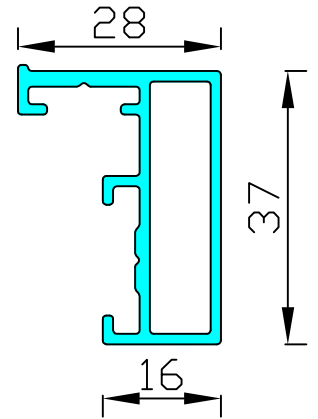


Sec. No.-9474



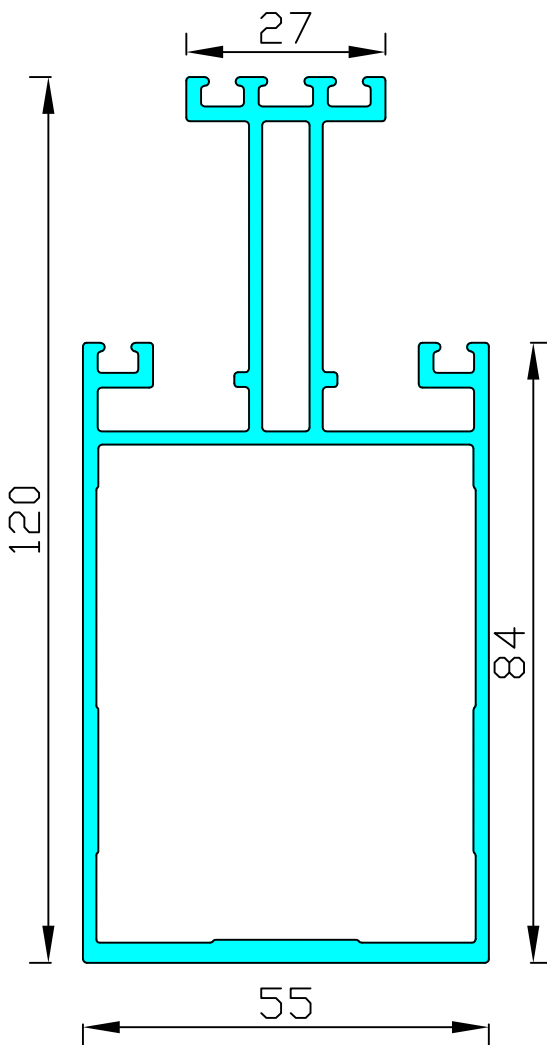
Wt: 6.800 Kgs./12'

Sec. No.-9475



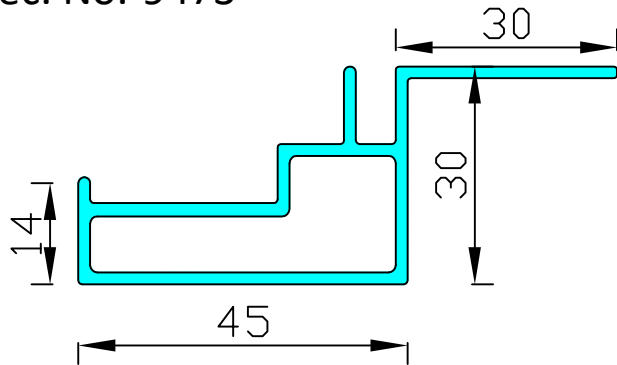
Wt: 1.950 Kgs./12'

Sec. No.-9471



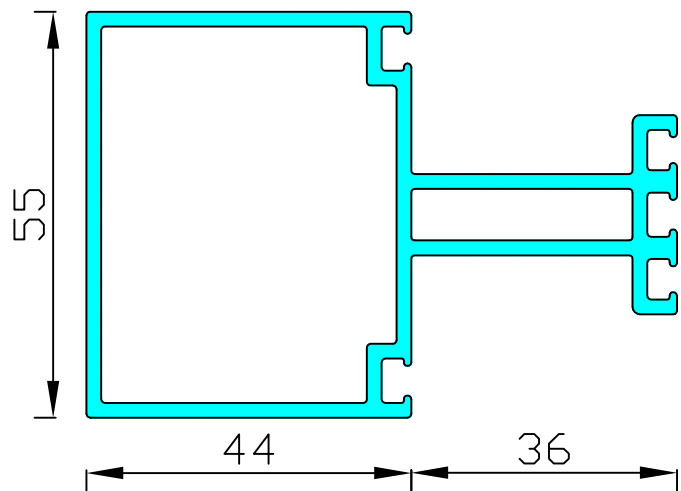
Wt: 9.20 Kgs./12'

Sec. No.-9473



Wt: 2.750 Kgs./12'

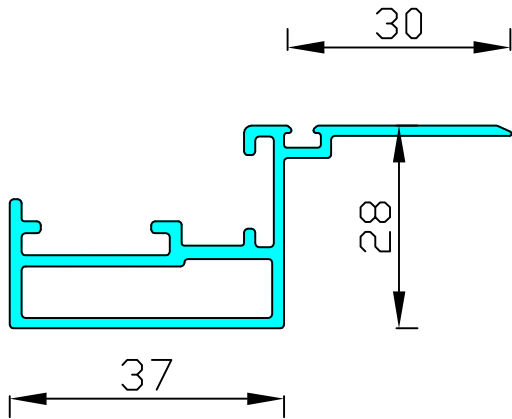
Sec. No.- 9472



Wt: 6.40 Kgs/12'

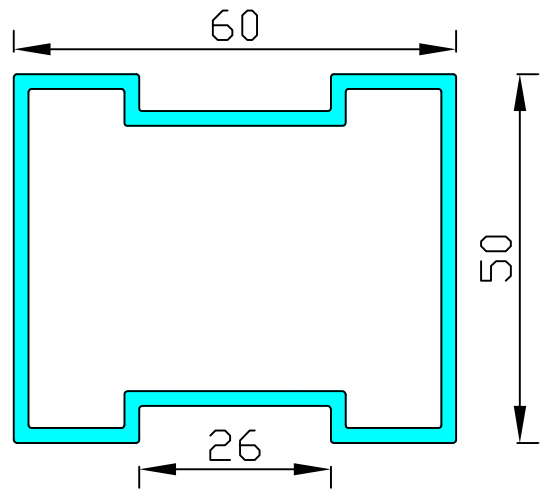


Sec. No.-9476



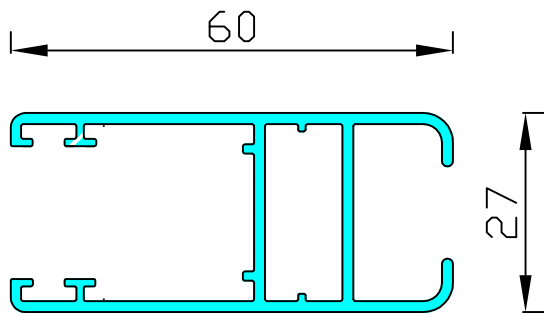
Wt: 2.600 Kgs./12'

Sec. No.-9477



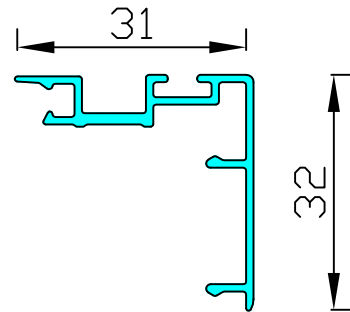
Wt: 2.850 Kgs./12'

Sec. No.-9478



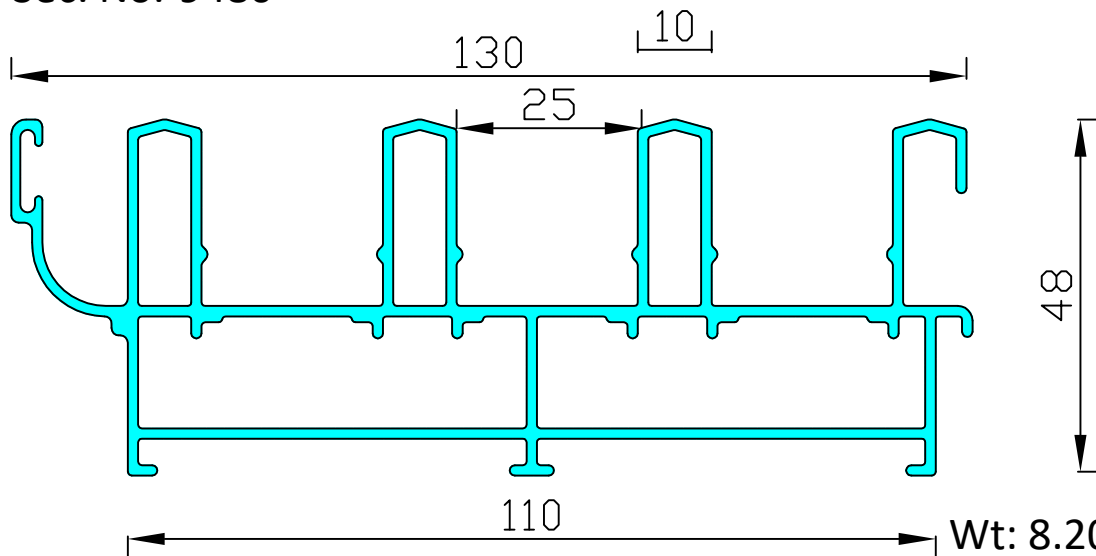
Wt: 2.850 Kgs./12'

Sec. No.-9485



Wt: 1.200 Kgs/12'

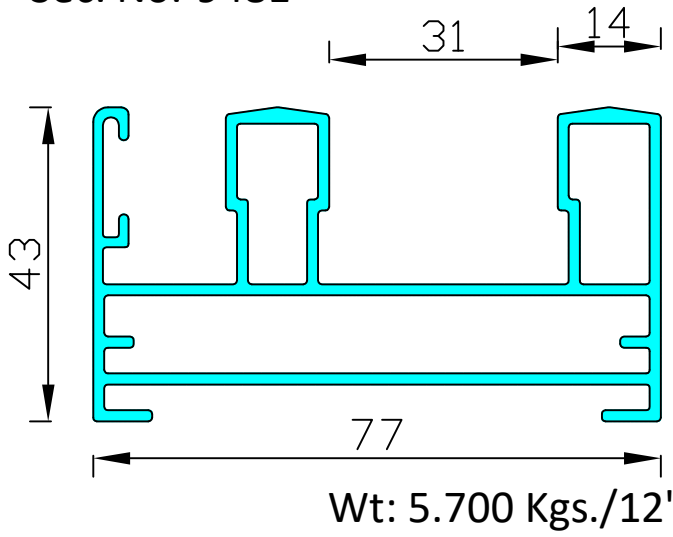
Sec. No.-9480



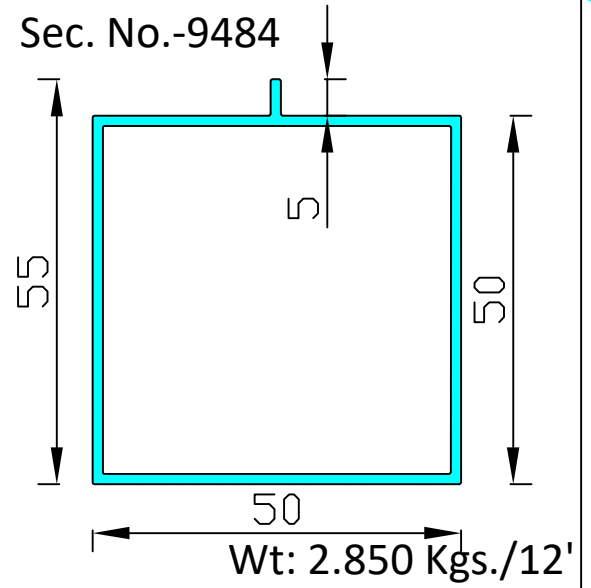
Wt: 8.20 Kgs./12'



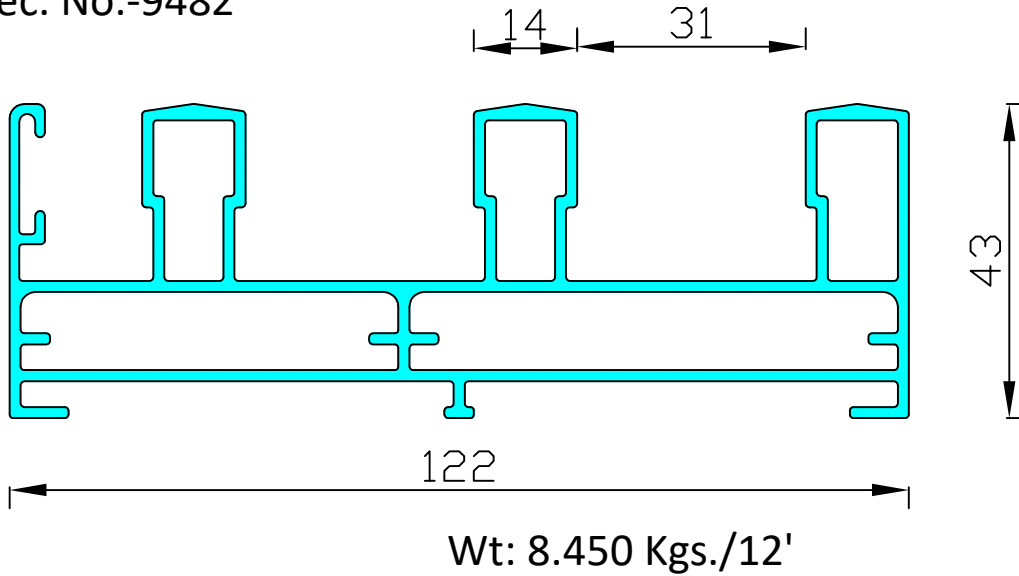
Sec. No.-9481



Sec. No.-9484

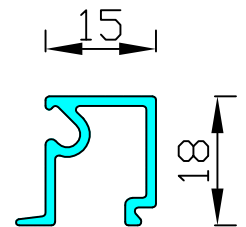


Sec. No.-9482



Sec. No.-9483

Sec. No.-9479

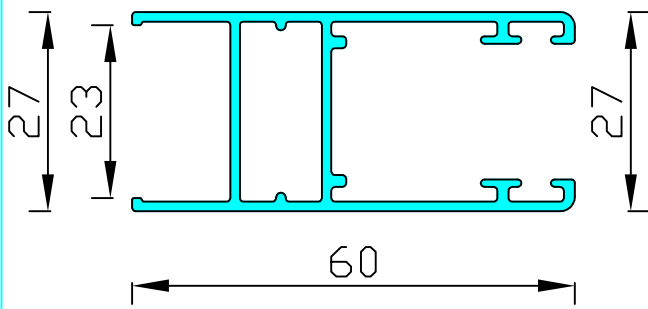


Wt: 0.800 Kgs/12'



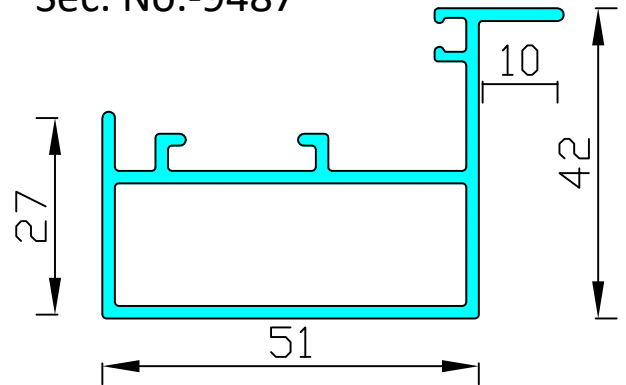


Sec. No.-9486



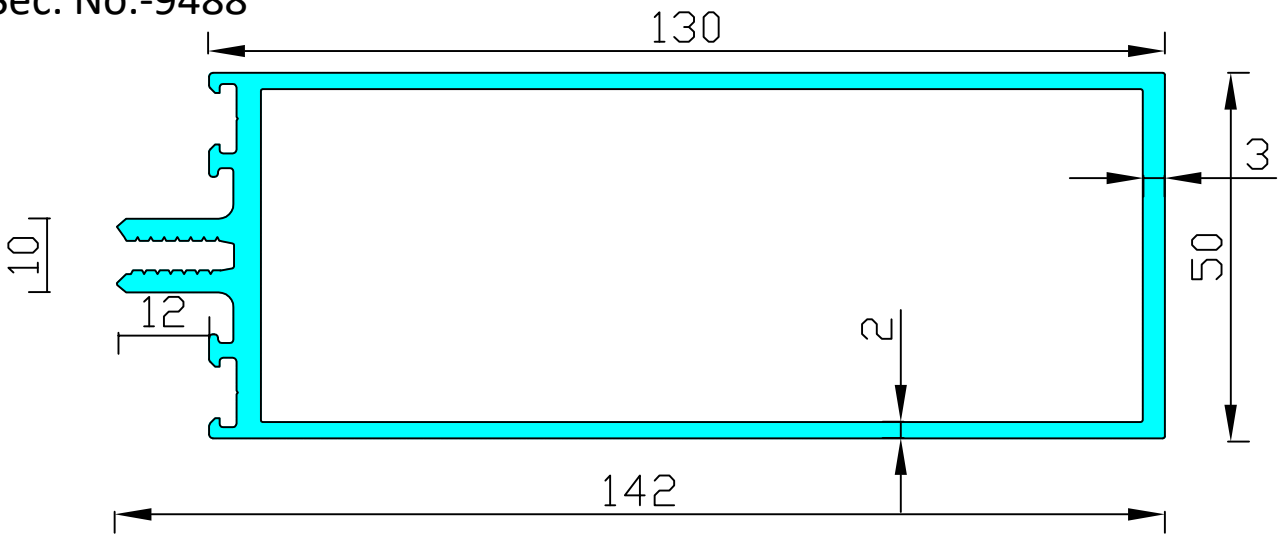
Wt: 2.650 Kgs./12'

Sec. No.-9487



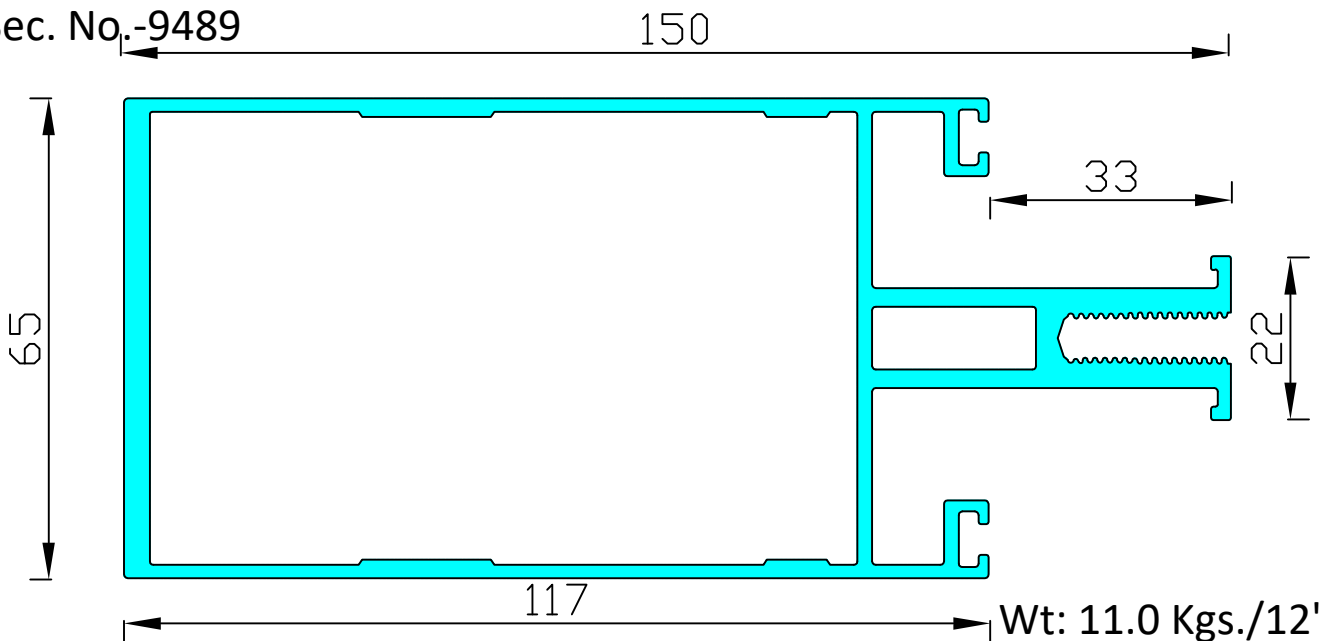
Wt: 2.050 Kgs./12'

Sec. No.-9488



Wt: 9.200 Kgs./12'

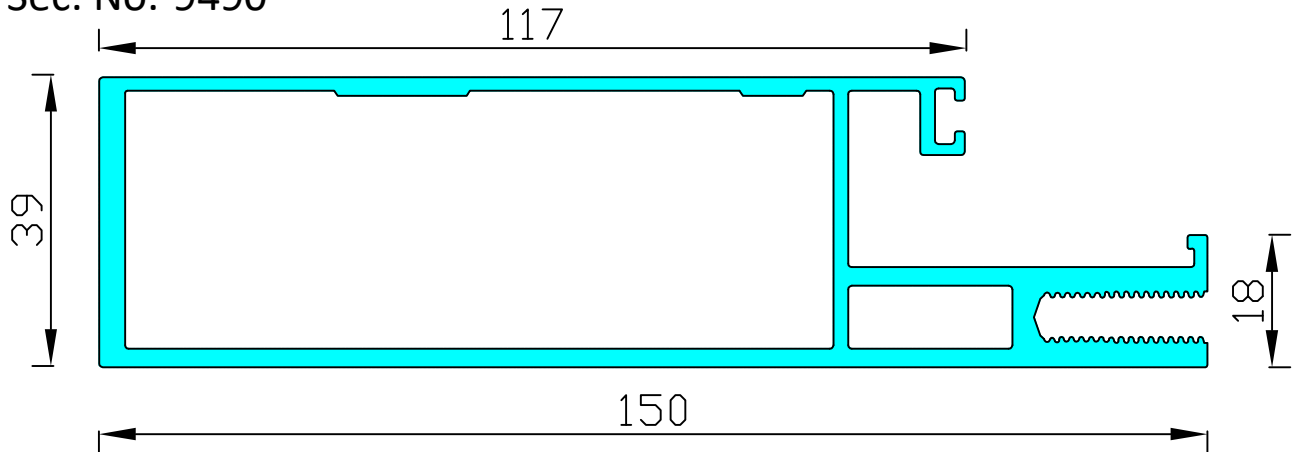
Sec. No.-9489



Wt: 11.0 Kgs./12'

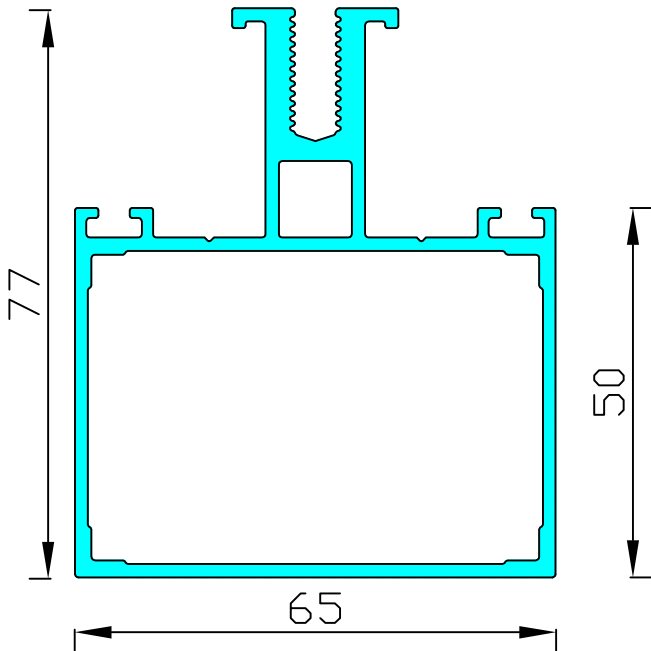


Sec. No.-9490



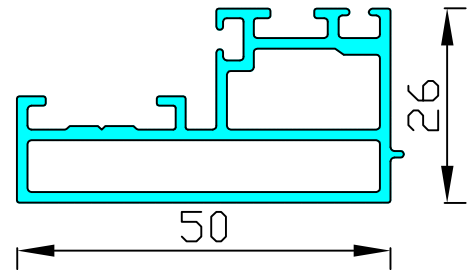
Wt: 10.20 Kgs./12'

Sec. No.-9491



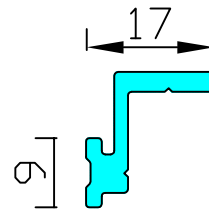
Wt: 6.800 Kgs./12'

Sec. No.-9492



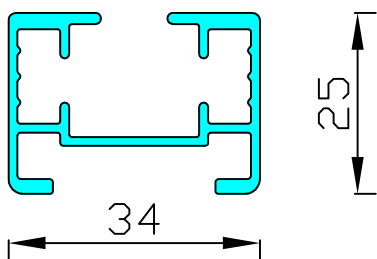
Wt: 3.00 Kgs./12'

Sec. No.-9493



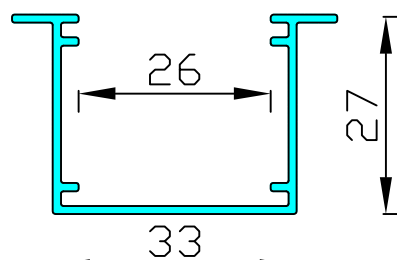
Wt: 0.950 Kgs./12'

Sec. No.-9494



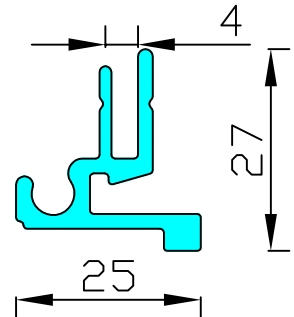
Wt: 2.00 Kgs./12'

Sec. No.-9495



Wt: 1.500 Kgs./12'

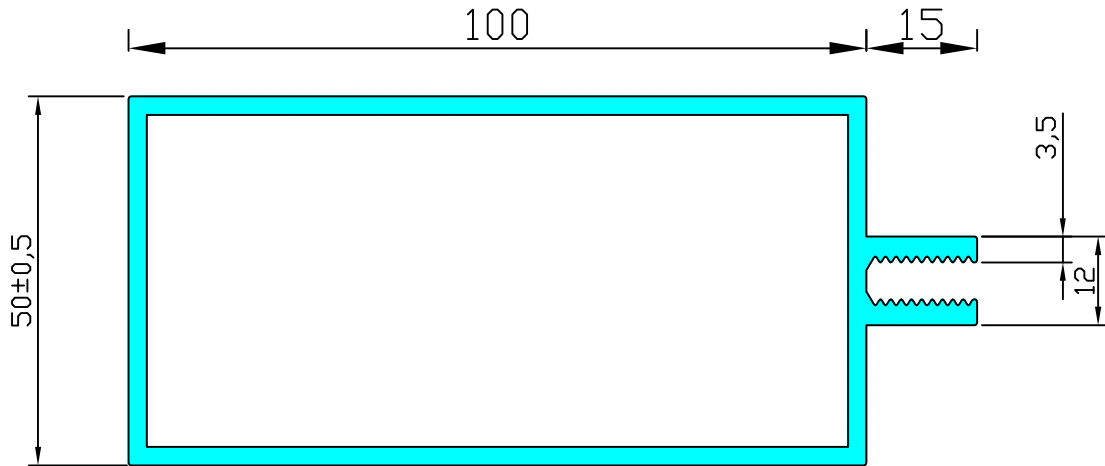
Sec. No.-9496



Wt: 1.900 Kgs./12'

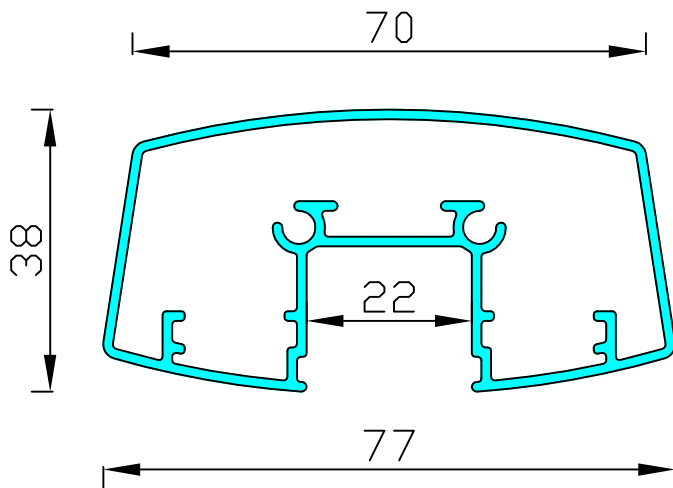


Sec. No.-9497



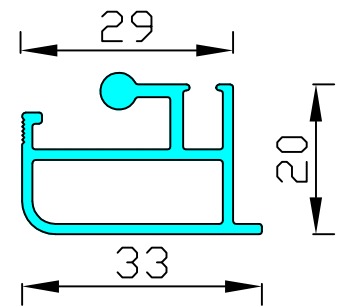
Wt: 8.00 Kgs./12'

Sec. No.-9718



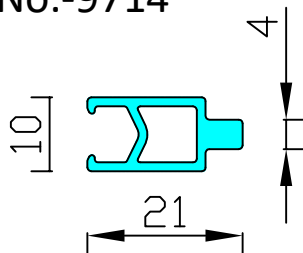
Wt: 3.80 Kgs./12'

Sec. No.-9500



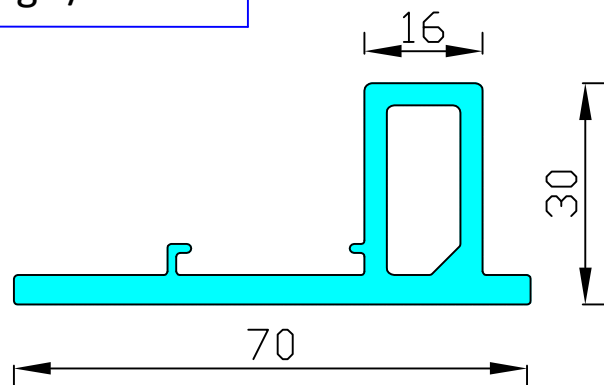
Wt: 1.700 Kgs./12'

Sec. No.-9714



Wt: 1.100 Kgs./12'

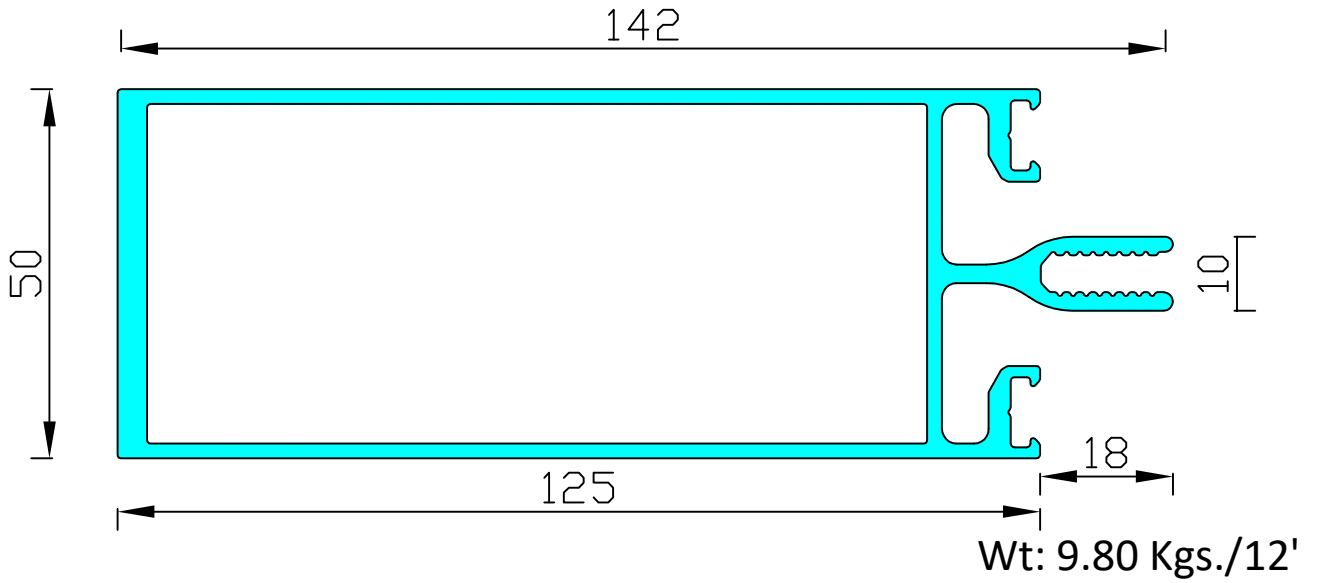
Sec. No.-9498



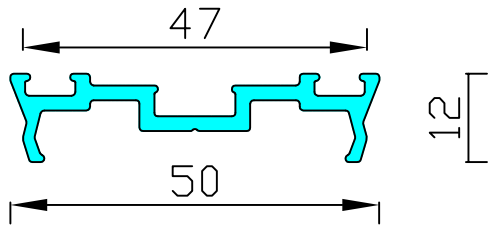
Wt: 4.800 Kgs./12'



Sec. No.-9715

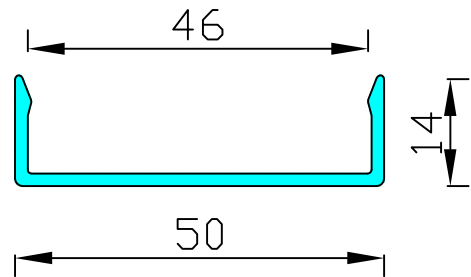


Sec. No.-9716



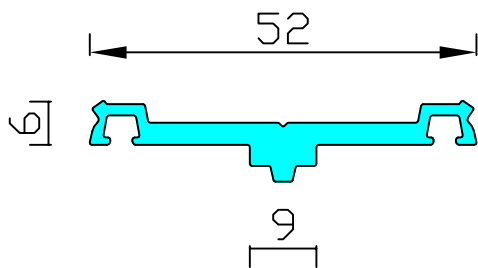
Wt: 1.60 Kgs./12'

Sec. No.-9717



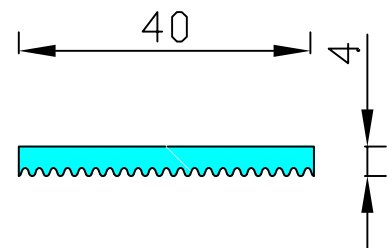
Wt: 1.30 Kgs./12'

Sec. No.-9730



Wt: 1.90 Kgs./12'

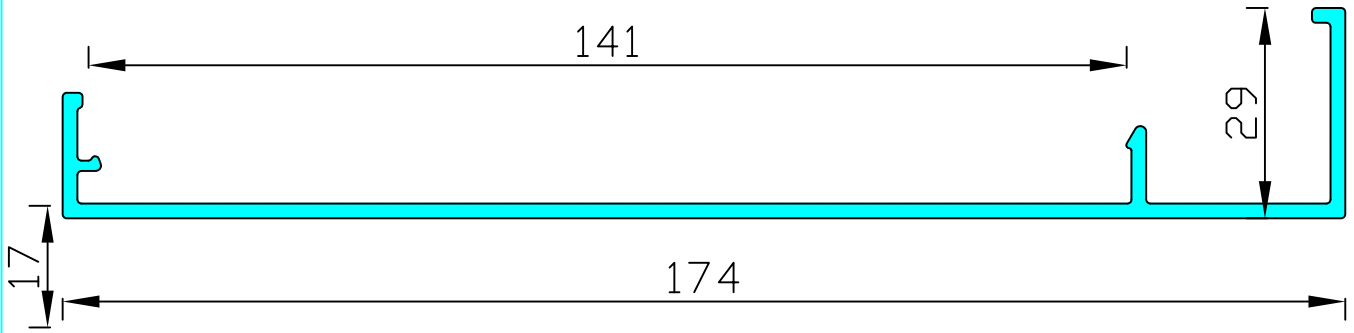
Sec. No.-9719



Wt: 1.70 Kgs./12'

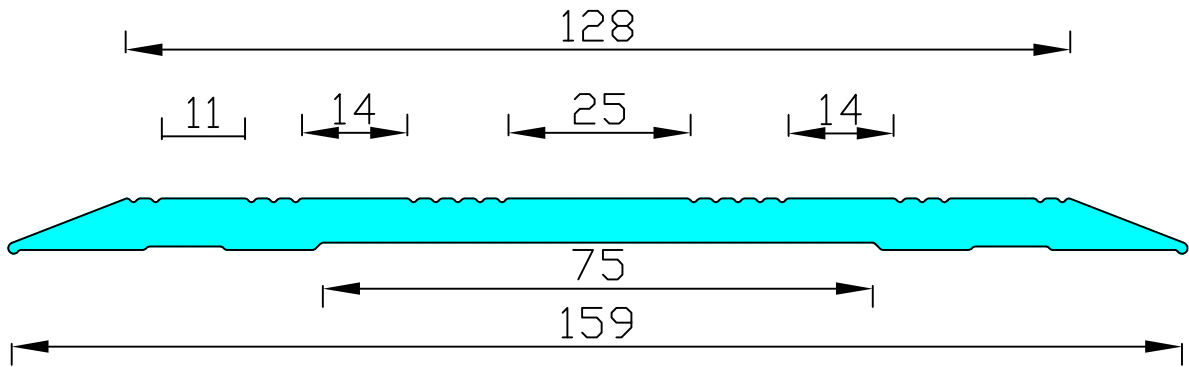


Sec. No.-9720



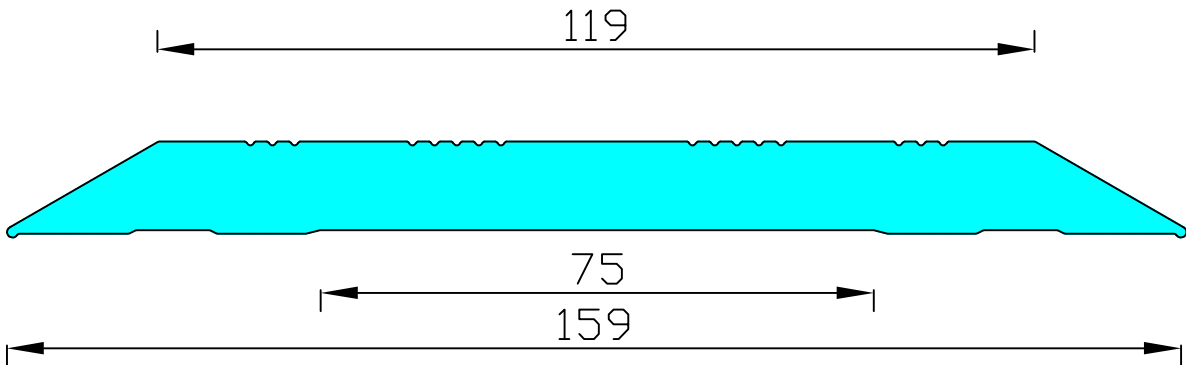
Wt: 4.80 Kgs./12'

Sec. No.-Ex-9723



Wt: 9.40 Kgs./12'

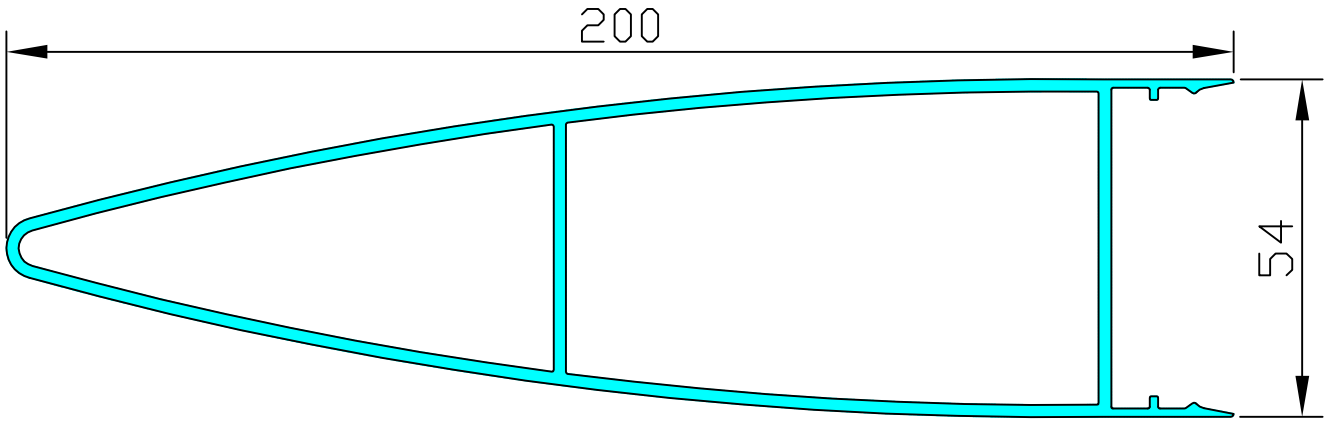
Sec. No.-Ex-9724



Wt: 17.20 Kgs./12'

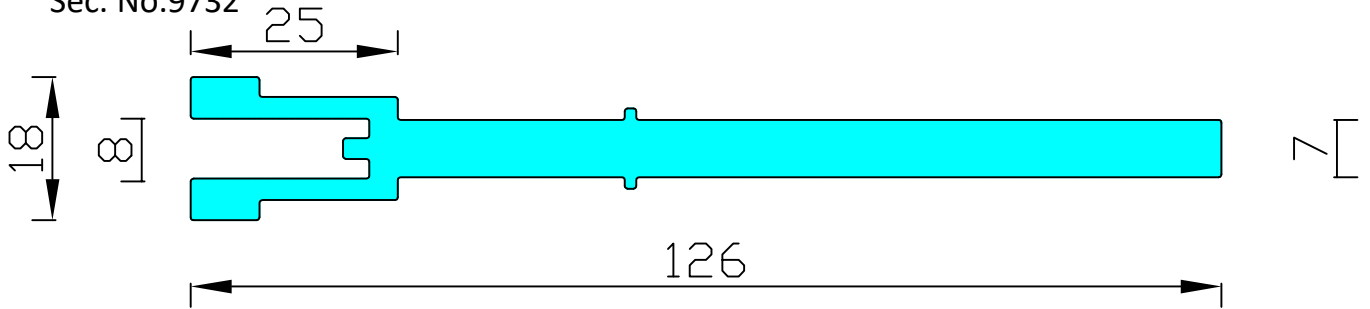


Sec. No.9731



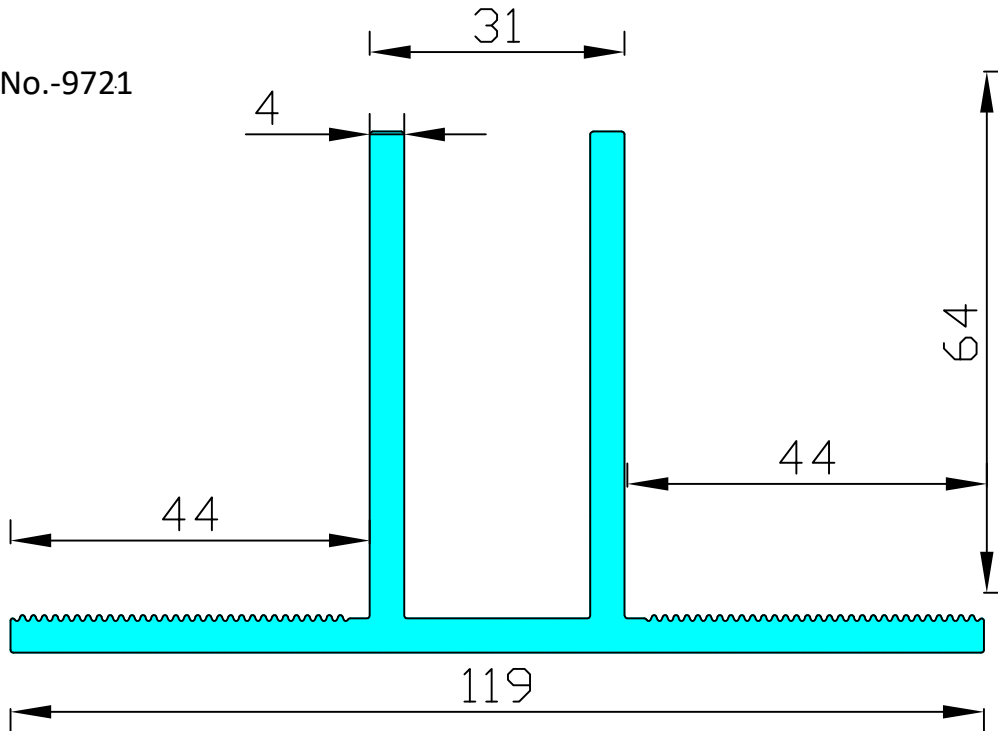
Wt: 9.70 Kgs./12'

Sec. No.9732



Wt: 19.00 Kgs./12'

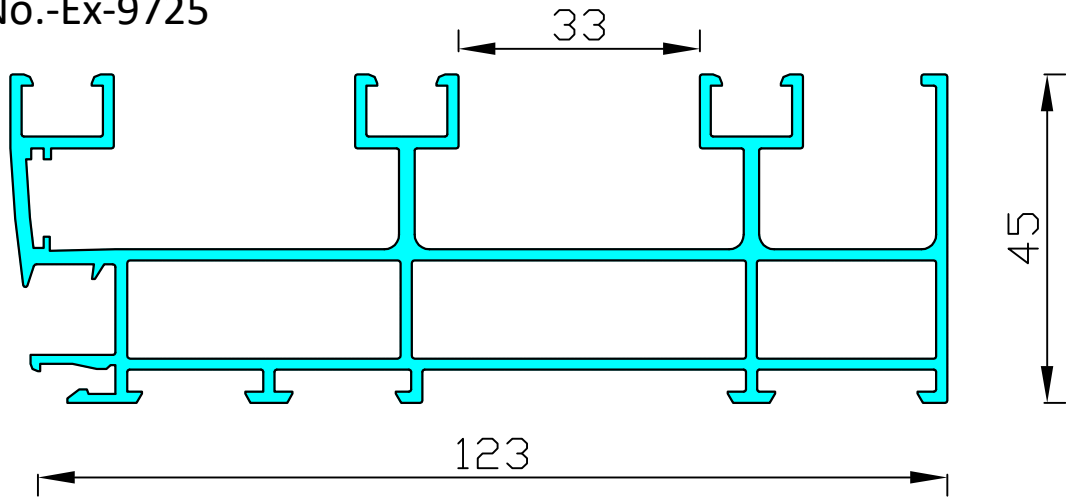
Sec. No.-9721



Wt: 19.60 Kgs./12'

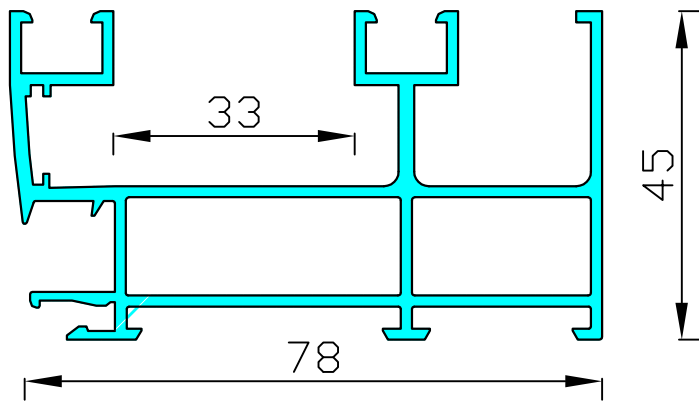


Sec. No.-Ex-9725



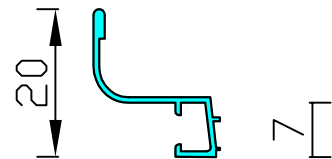
Wt: 8.100 Kgs./12'

Sec. No.-Ex-9726



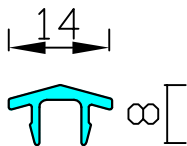
Wt: 5.850 Kgs./12'

Sec. No.-Ex-9728



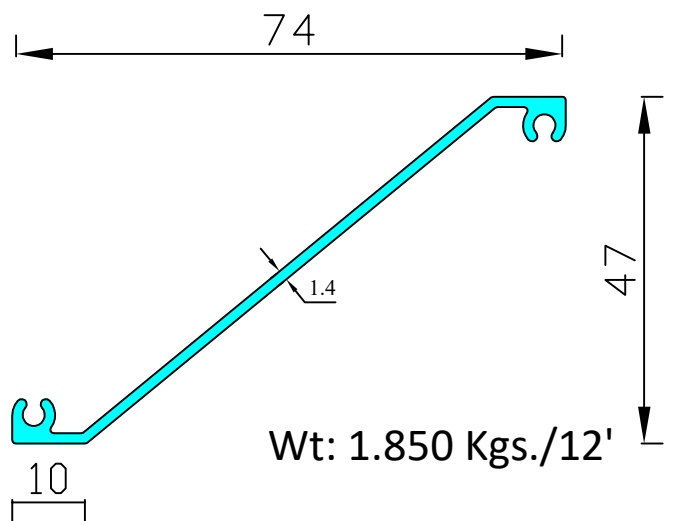
Wt: 1.450 Kgs./12'

Sec. No.-Ex-9727



Wt: 0.450 Kgs./12'

Sec. No.-9729

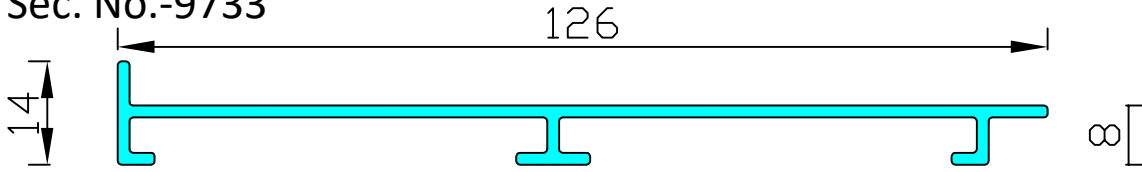


Wt: 1.850 Kgs./12'



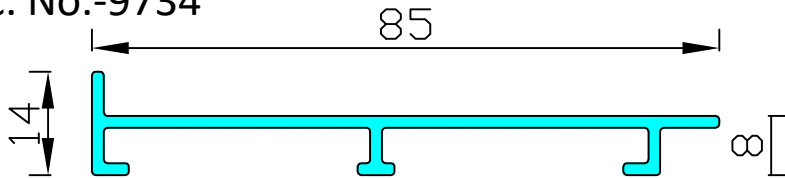
# BOMBAY ALUMINIUM PVT. LTD.

Sec. No.-9733



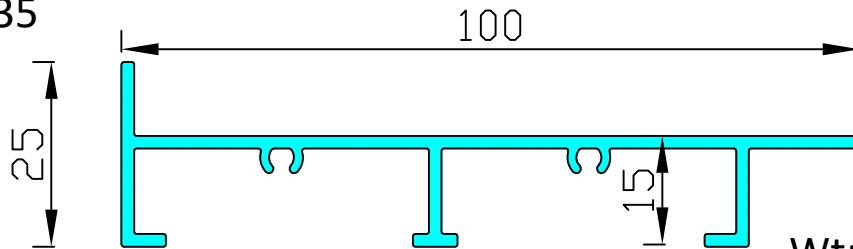
Wt: 2.800 Kgs./12'

Sec. No.-9734



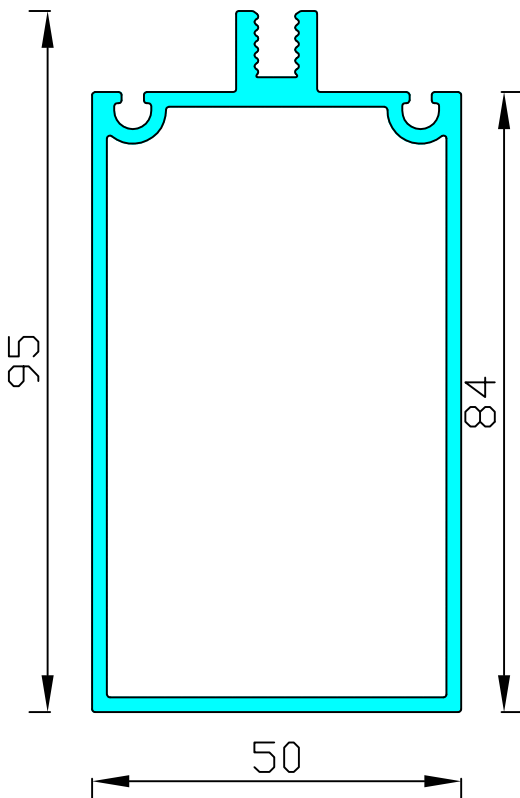
Wt: 2.100 Kgs./12'

Sec. No.-9735



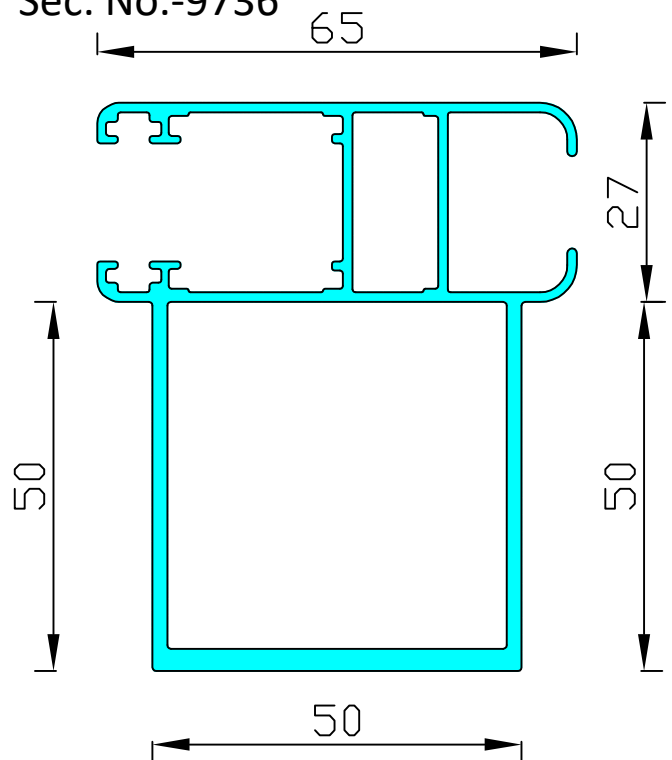
Wt: 3.000 Kgs./12'

Sec. No.-9722



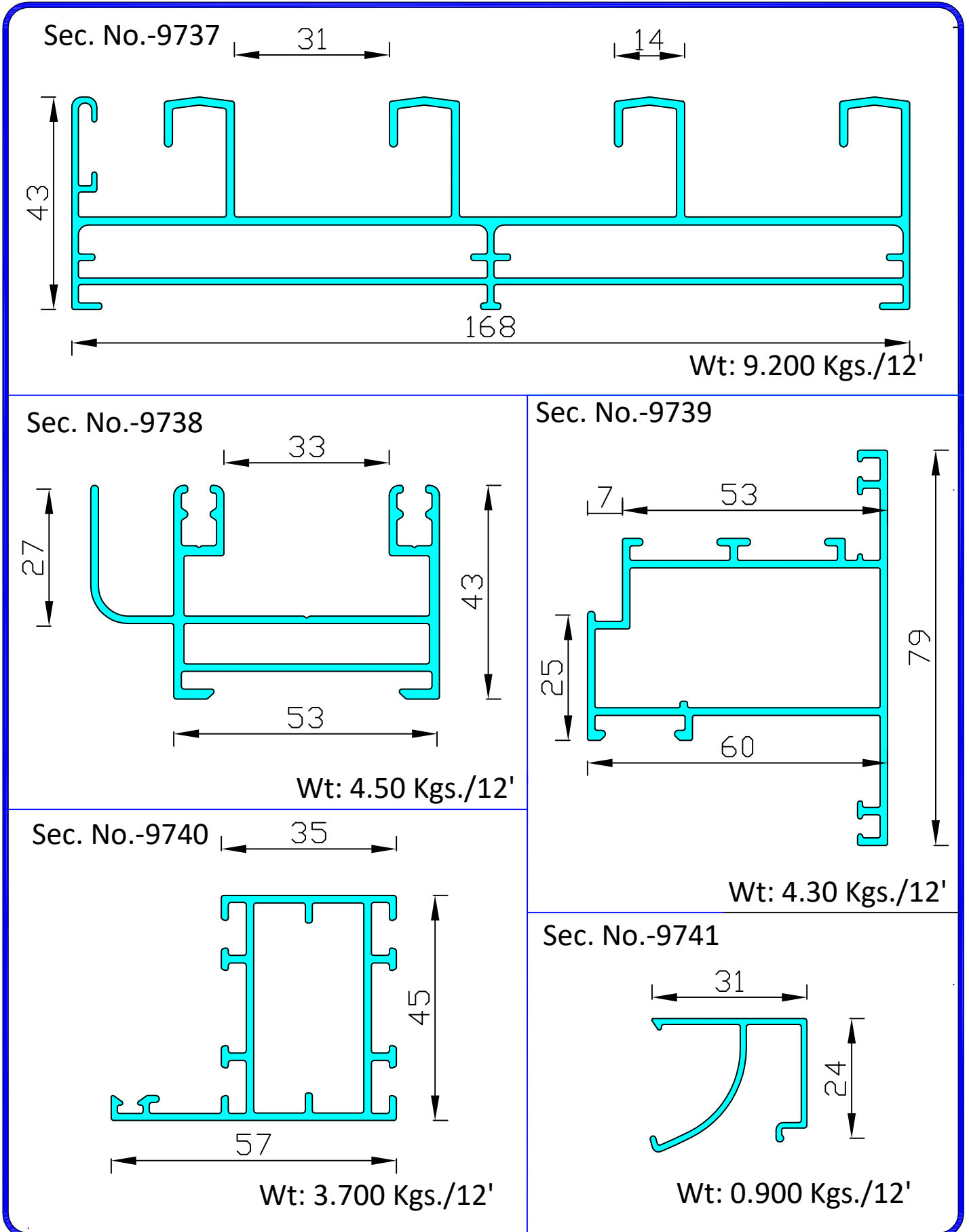
Wt: 6.200 Kgs./12'

Sec. No.-9736



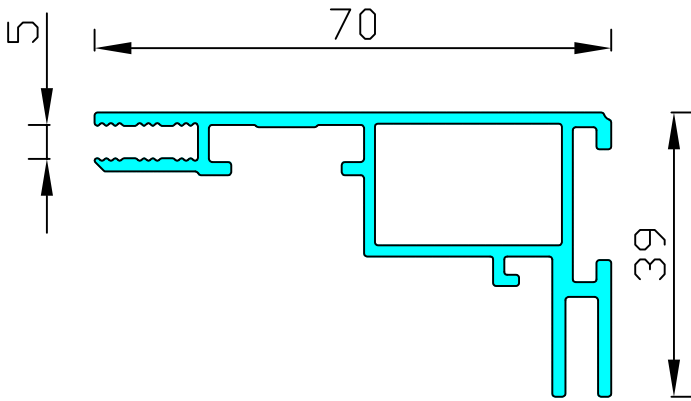
Wt: 6.200 Kgs./12'





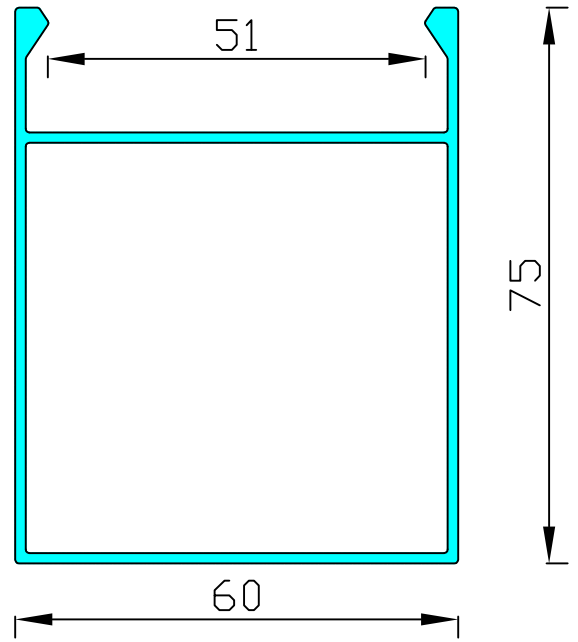


Sec. No.-9742



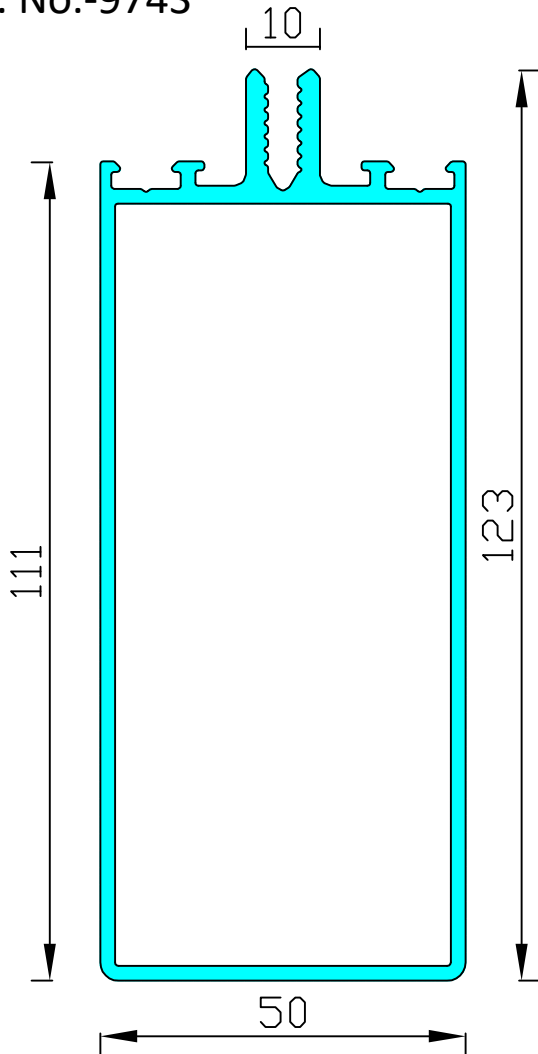
Wt: 3.500 Kgs./12'

Sec. No.-9744



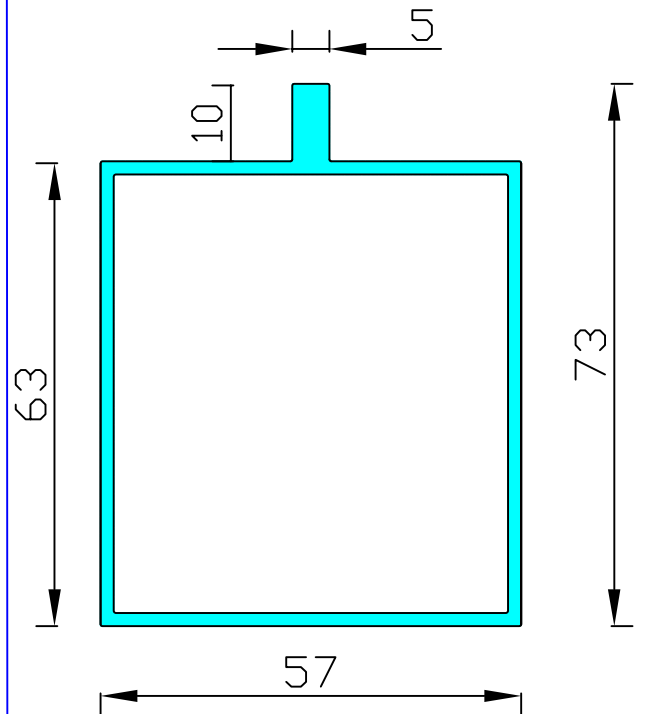
Wt: 4.000 Kgs./12'

Sec. No.-9743



Wt: 7.40 Kgs./12'

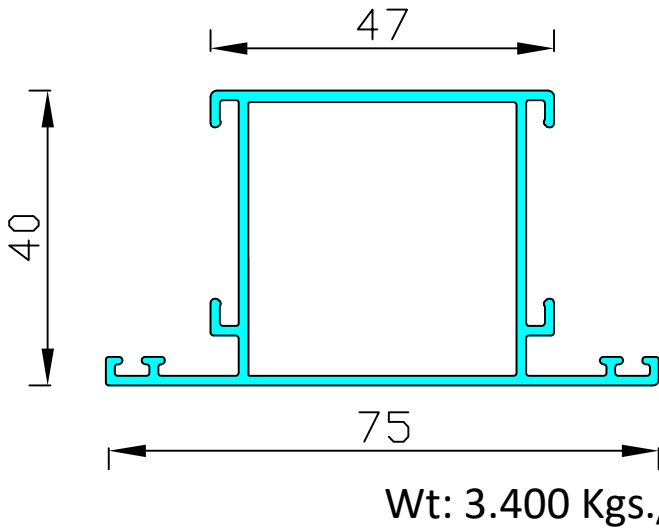
Sec. No.-9745



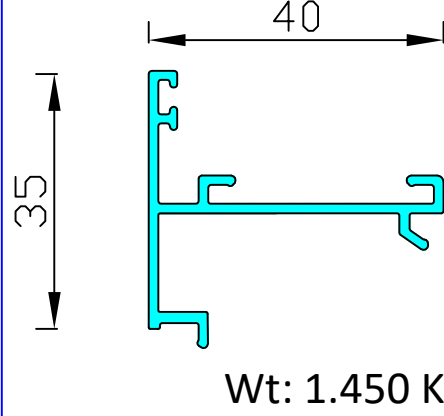
Wt: 5.00 Kgs./12'



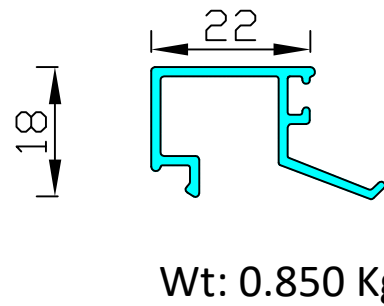
Sec. No.-9746



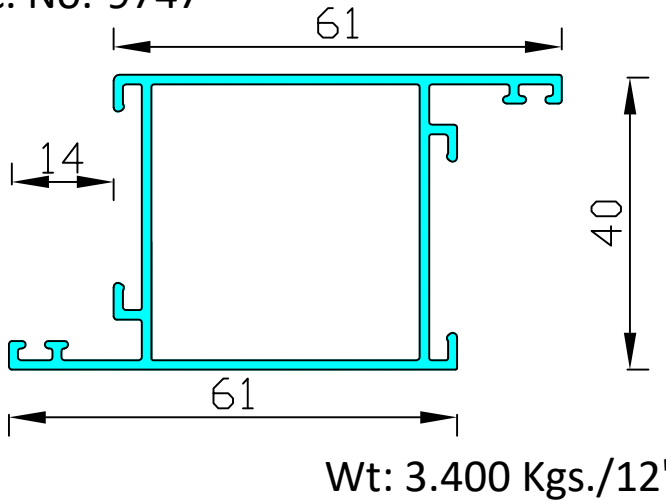
Sec. No.-9749



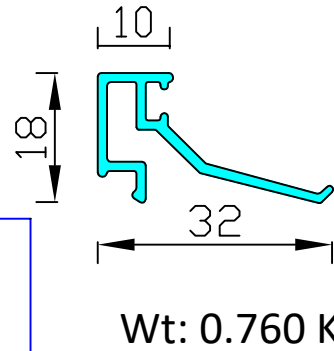
Sec. No.-9750



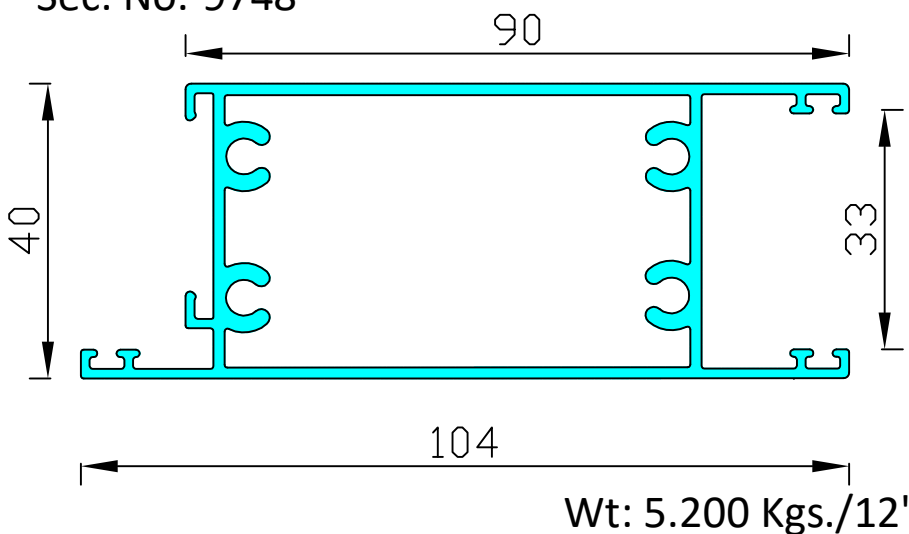
Sec. No.-9747



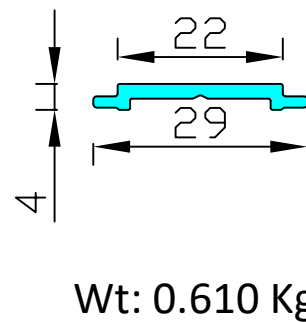
Sec. No.-9751



Sec. No.-9748

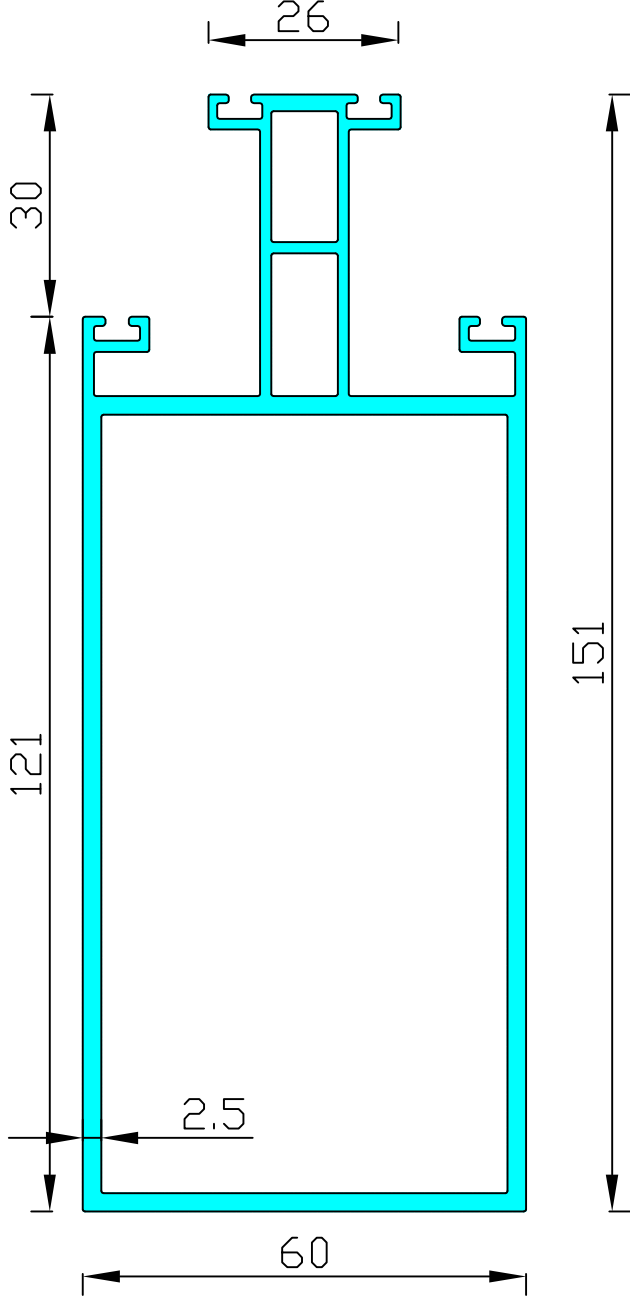


Sec. No.-9752



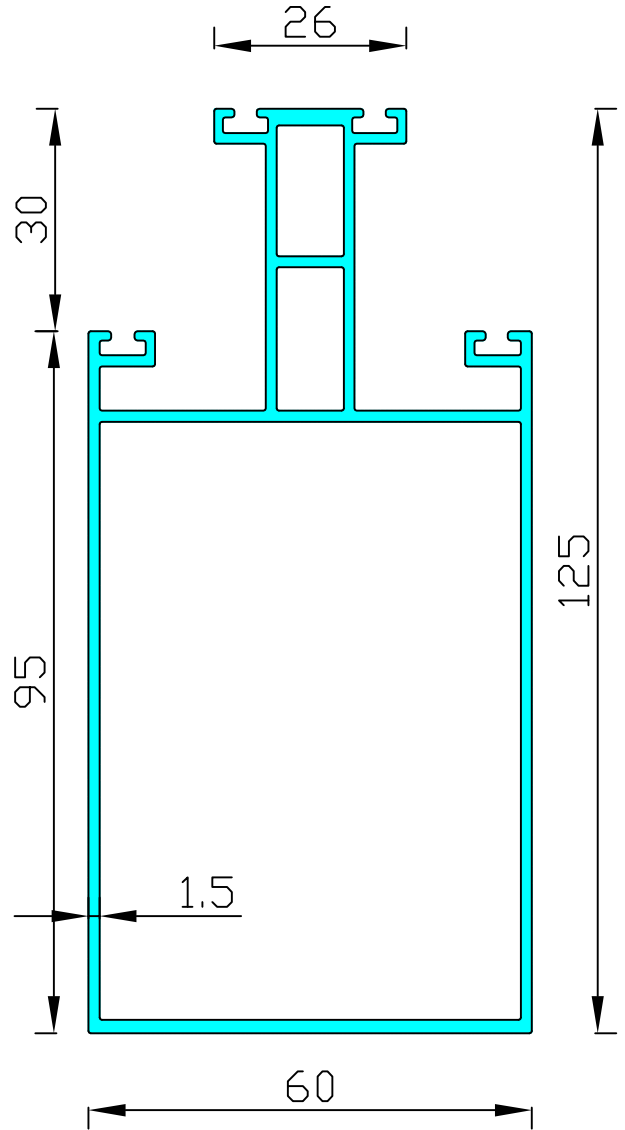


Sec. No.-9753



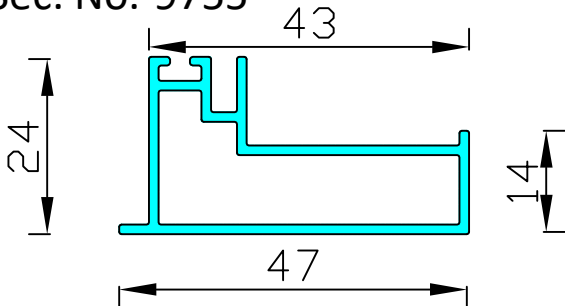
Wt: 10.70 Kgs./12'

Sec. No.-9754



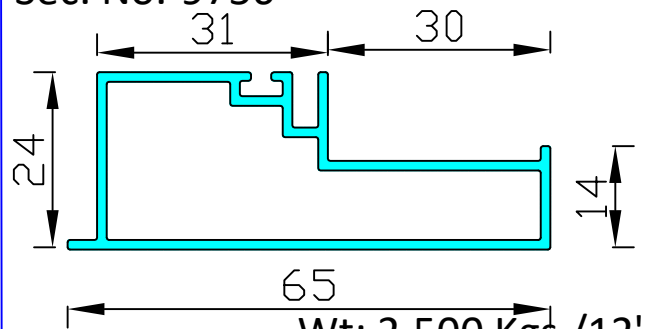
Wt: 7.20 Kgs./12'

Sec. No.-9755



Wt: 2.100 Kgs./12'

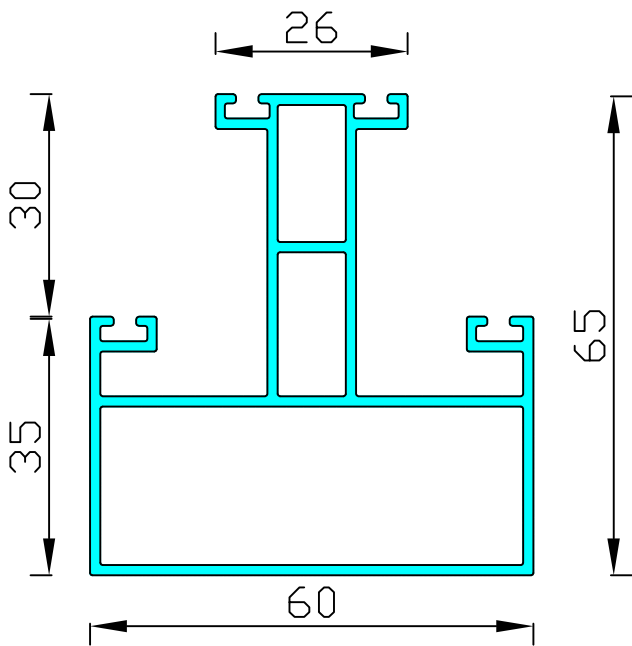
Sec. No.-9756



Wt: 2.500 Kgs./12'

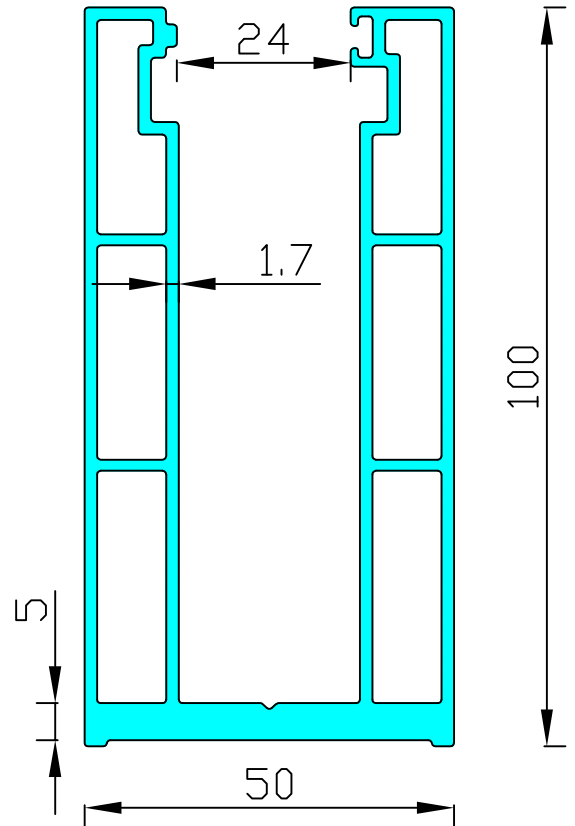


Sec. No.-9757



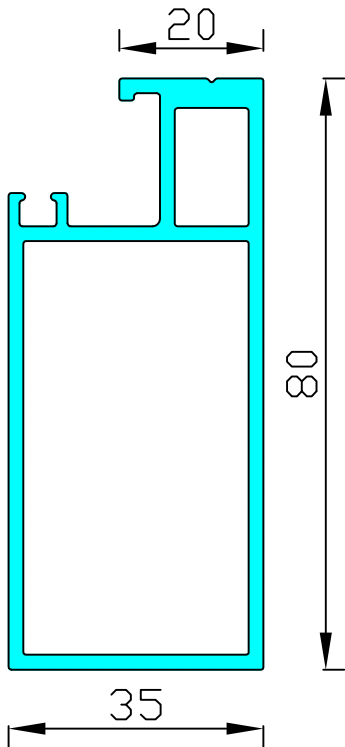
Wt: 5.00 Kgs./12'

Sec. No.-9758



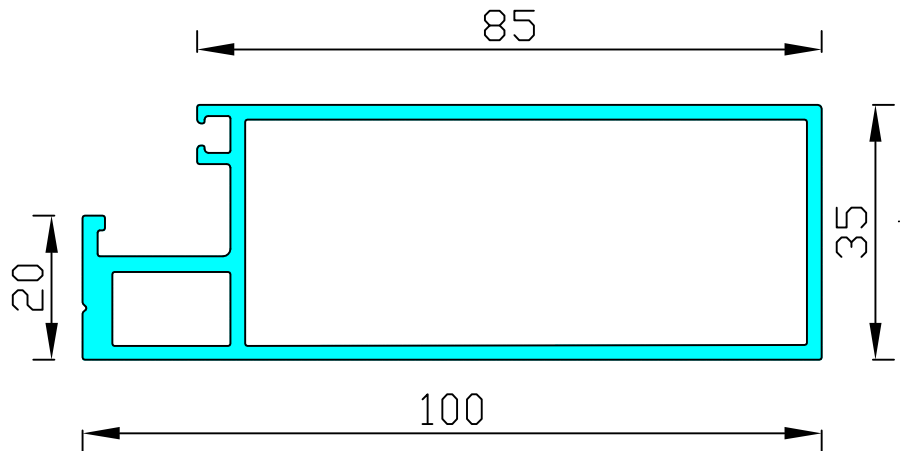
Wt: 10.500 Kgs./12'

Sec. No.-9759



Wt: 5.150 Kgs./12'

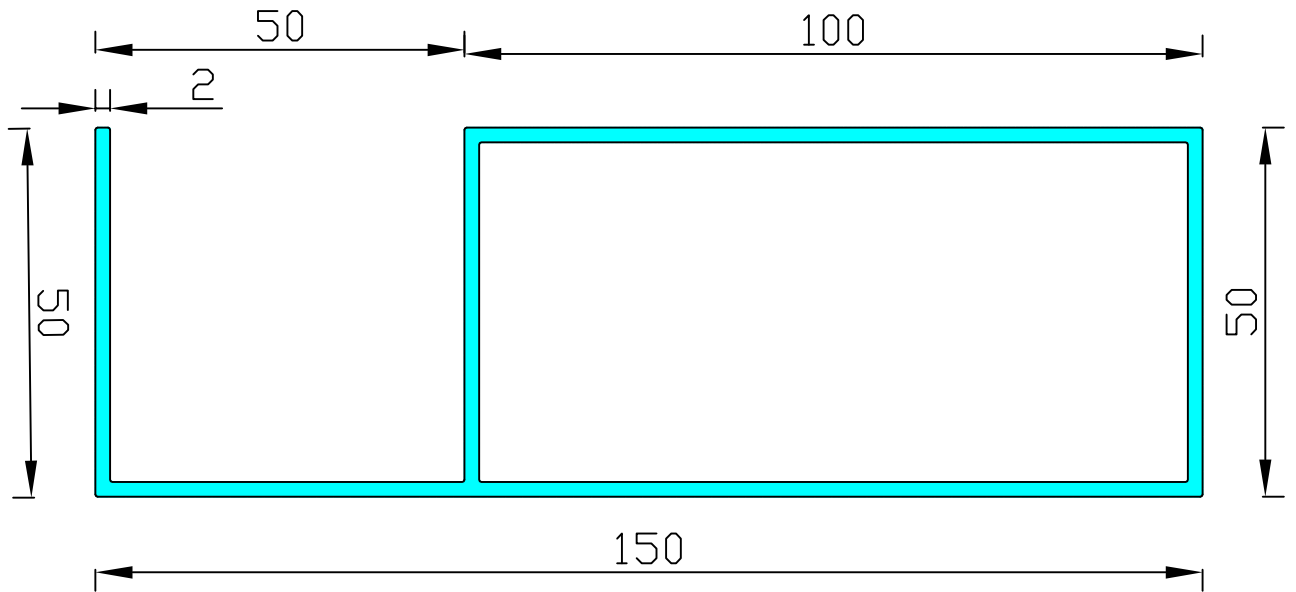
Sec. No.-9760



Wt: 5.950 Kgs./12'

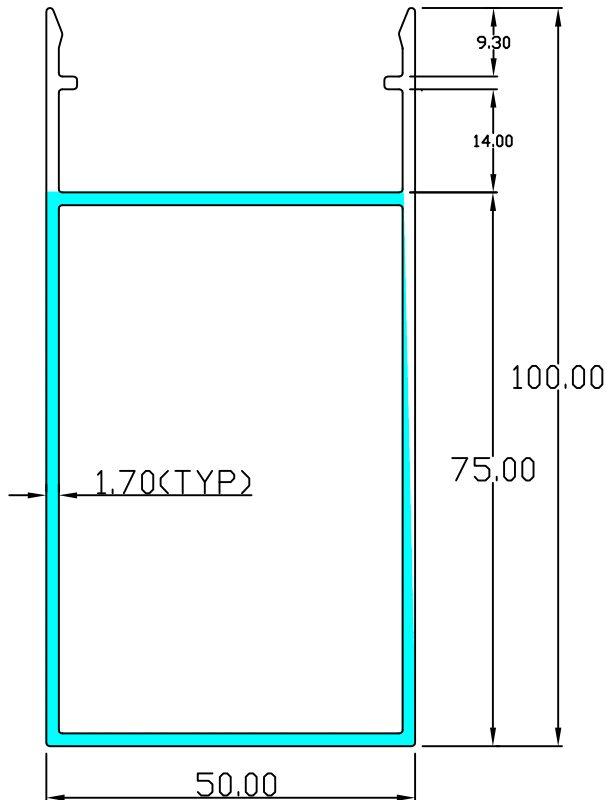


## Sec. No.-9761



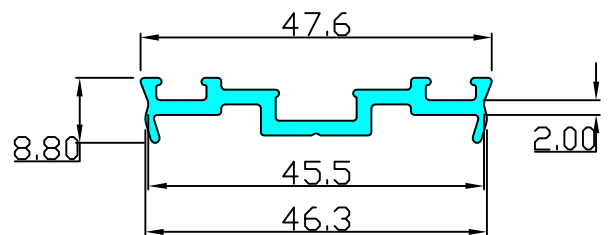
Wt: 7.800 Kgs./12'

## Sec. No.-9763



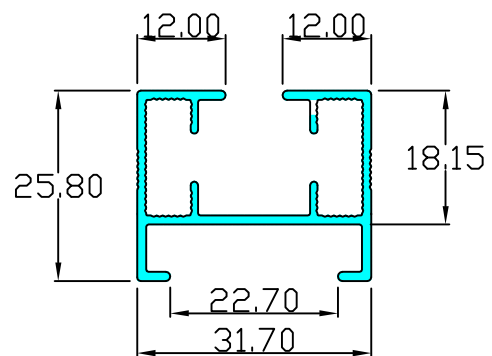
Wt: 5.150 Kgs./12'

## Sec. No.-9764



Wt: 1.500 Kgs./12'

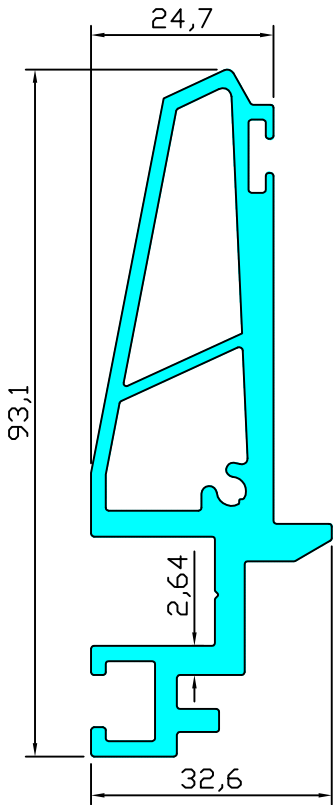
## Sec. No.-9762



Wt: 1.700 Kgs./12'

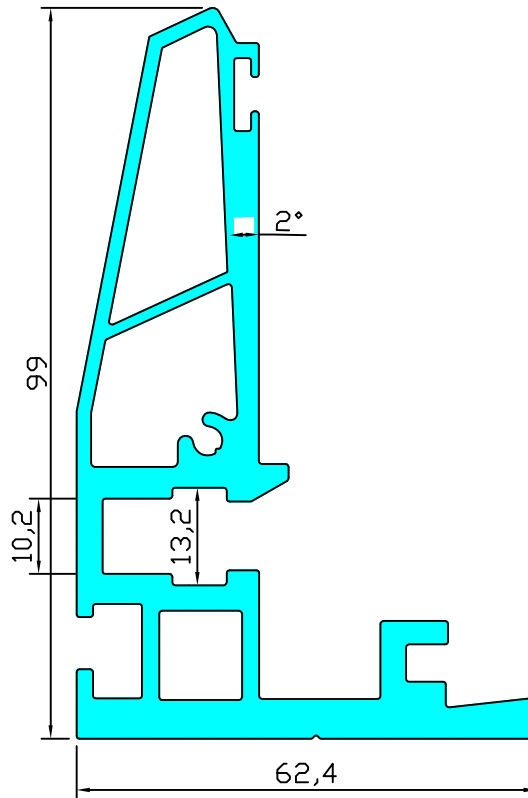


Sec. No.-9765



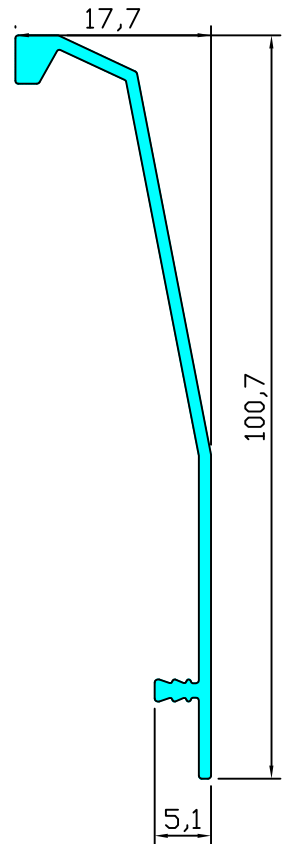
Wt: 7.500 Kgs./12'

Sec. No.-9766



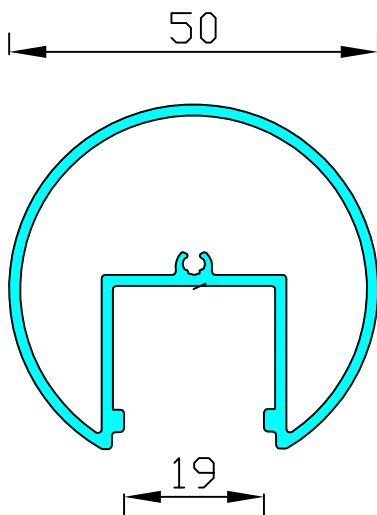
Wt: 11.500 Kgs./12'

Sec. No.-9767



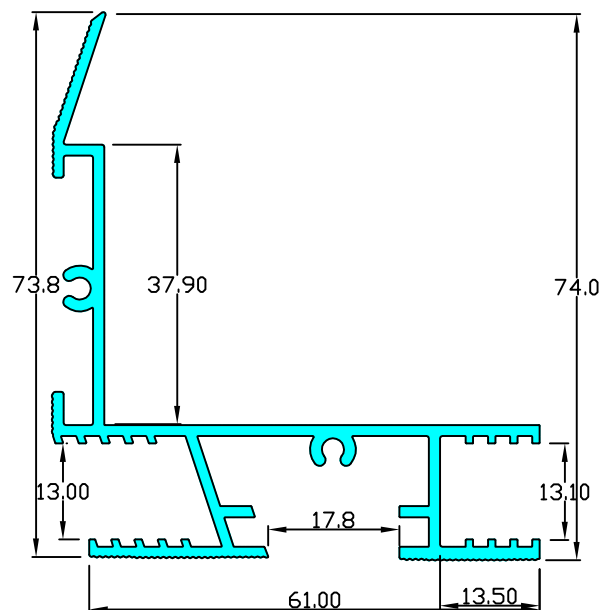
Wt: 2.300 Kgs./12'

Sec. No.-9768



Wt: 3.100 Kgs./12'

Sec. No.-9769

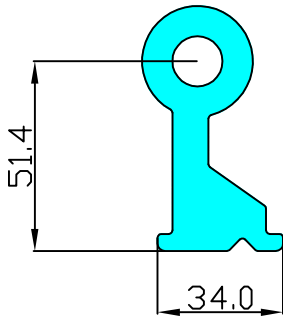


Wt: 4.000 Kgs./12'



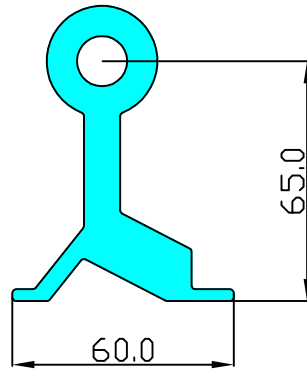
# BOMBAY ALUMINIUM PVT. LTD

Sec. No.-9770



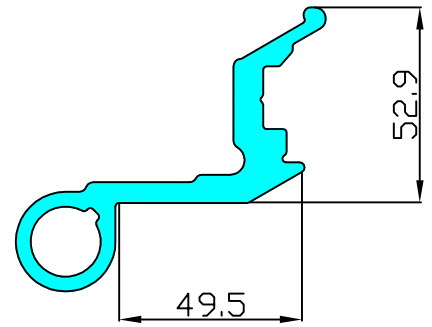
Wt: 3.200 Kgs./12'

Sec. No.-9771



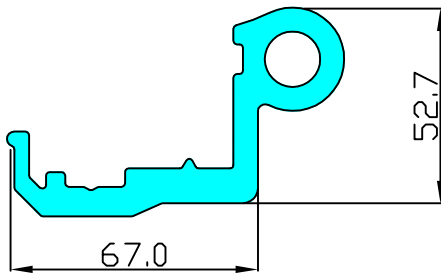
Wt: 3.800 Kgs./12'

Sec. No.-9772



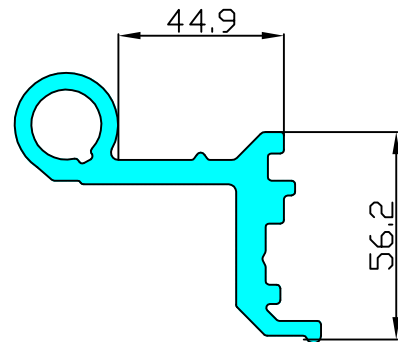
Wt: 2.800 Kgs./12'

Sec. No.-9773



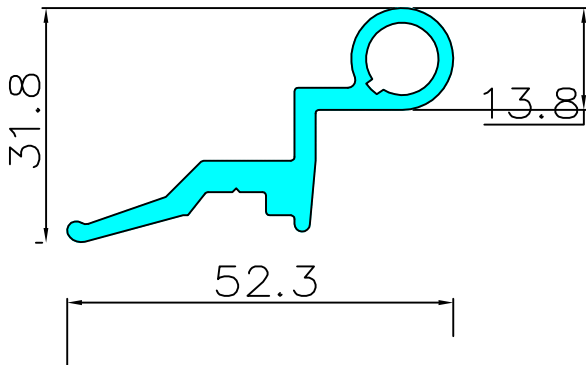
Wt: 3.200 Kgs./12'

Sec. No.-9774



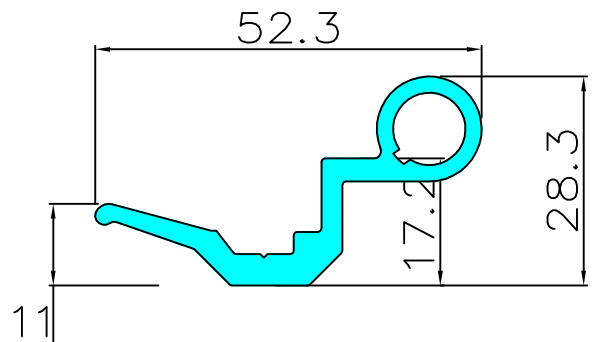
Wt: 3.200 Kgs./12'

Sec. No.-9775



Wt: 2.800 Kgs./12'

Sec. No.-9776

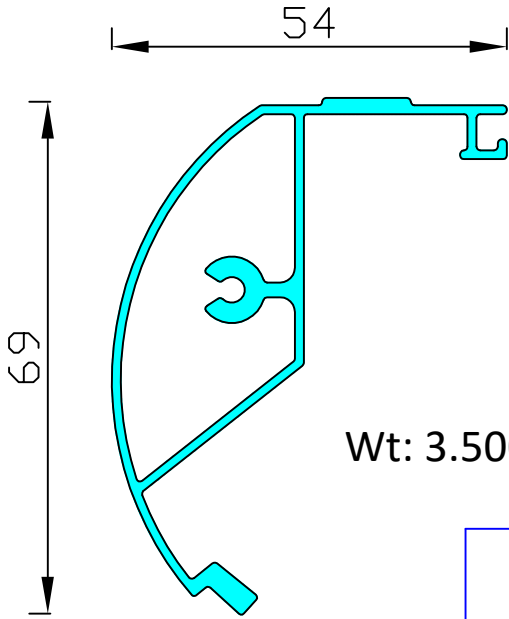


Wt: 2.600 Kgs./12'



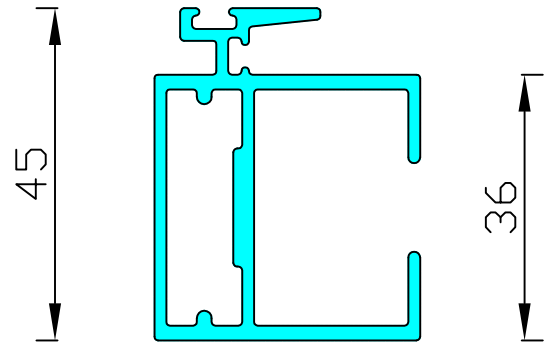


Sec. No.-9777



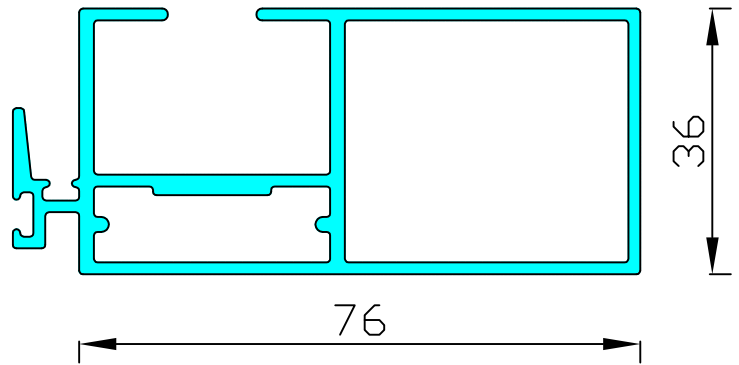
Wt: 3.500 Kgs./12'

Sec. No.-9779



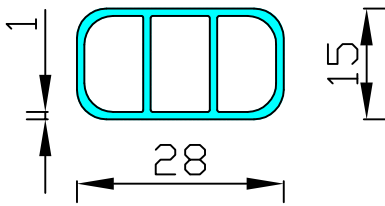
Wt: 3.500 Kgs./12'

Sec. No.-9780



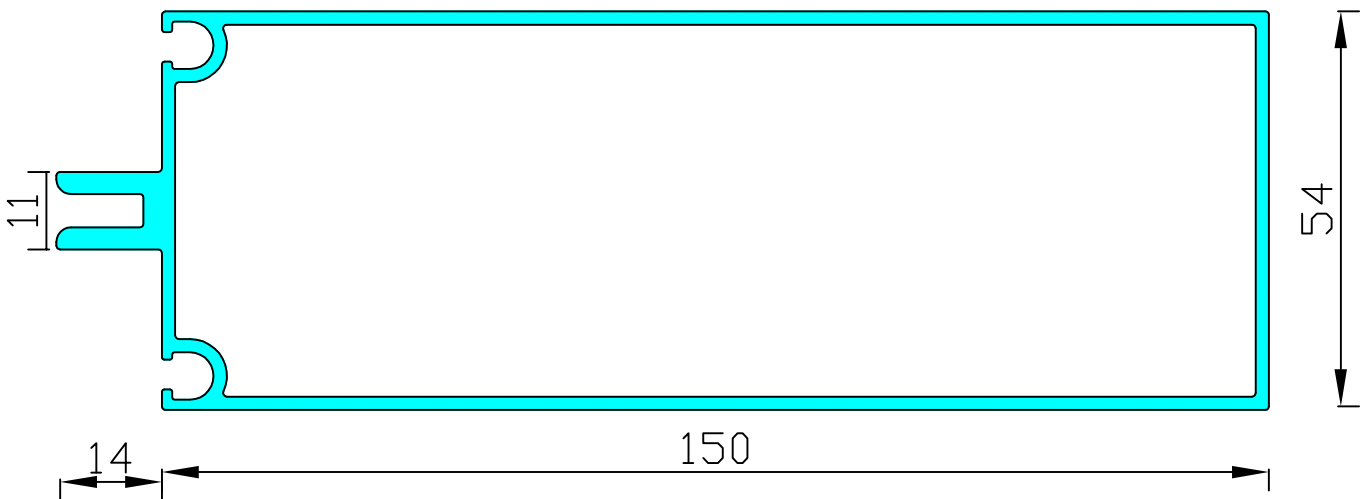
Wt: 5.500 Kgs./12'

Sec. No.-9789



Wt: 1.15 Kgs./12'

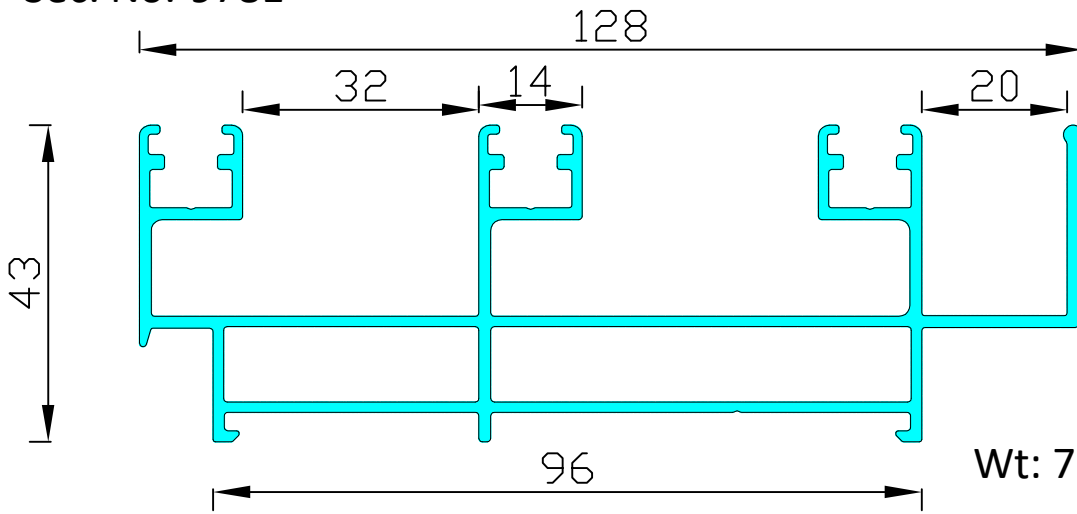
Sec. No.-9778



Wt: 8.600 Kgs./12'

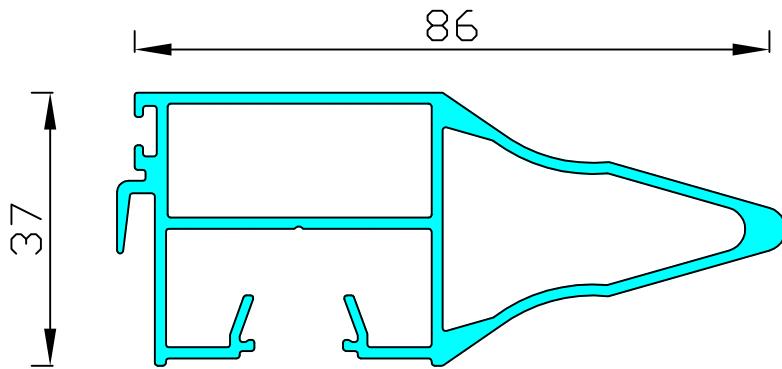


Sec. No.-9781



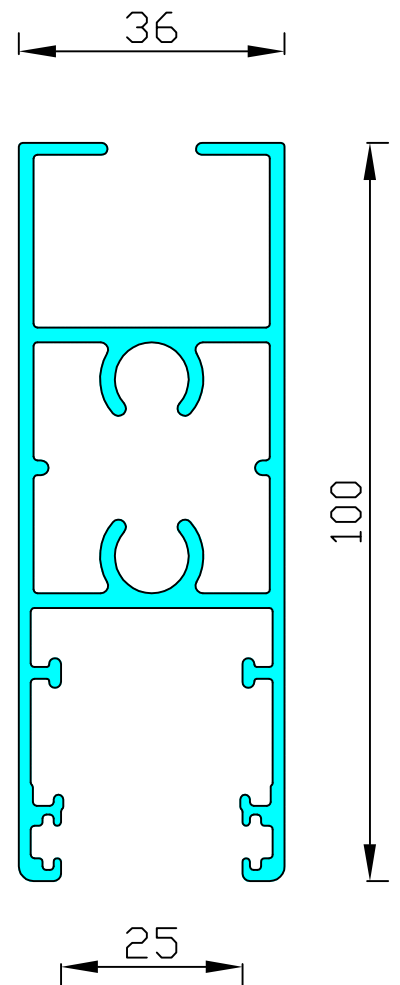
Wt: 7.00 Kgs./12'

Sec. No.-9782



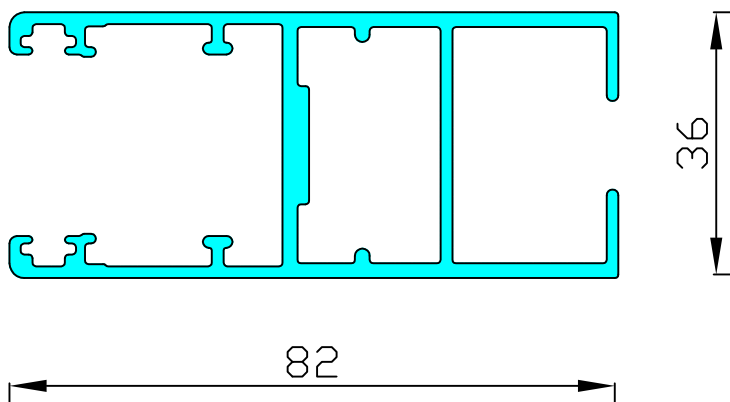
Wt: 5.000 Kgs./12'

Sec. No.-9784



Wt: 7.00 Kgs./12'

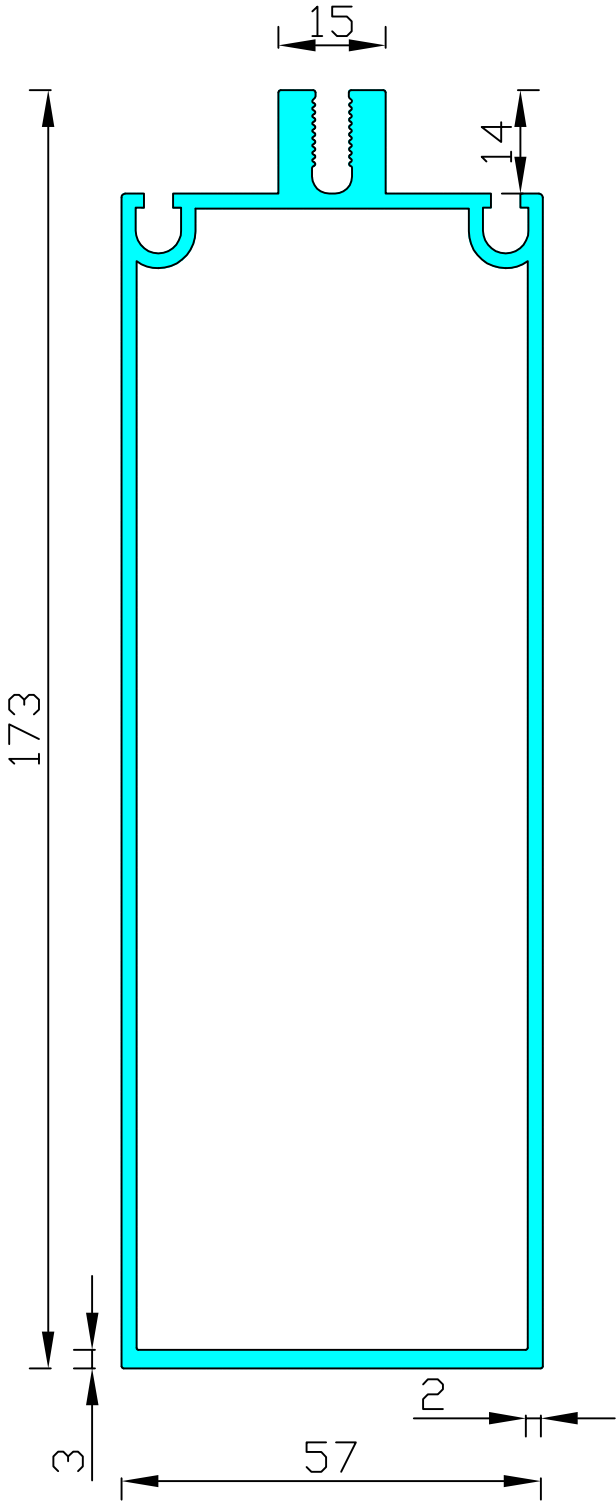
Sec. No.-9783



Wt: 5.500 Kgs./12'

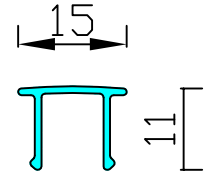


Sec. No.-9785



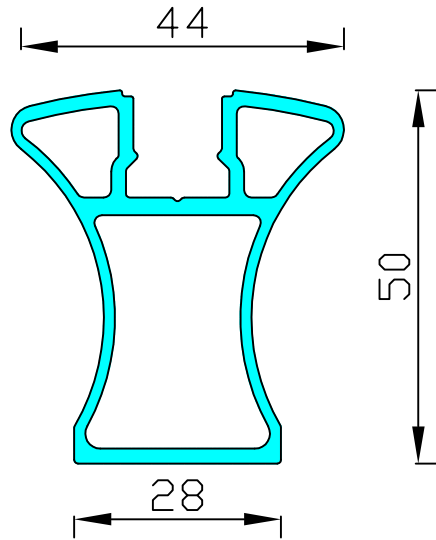
Wt: 11.500 Kgs./12'

Sec. No.-9786



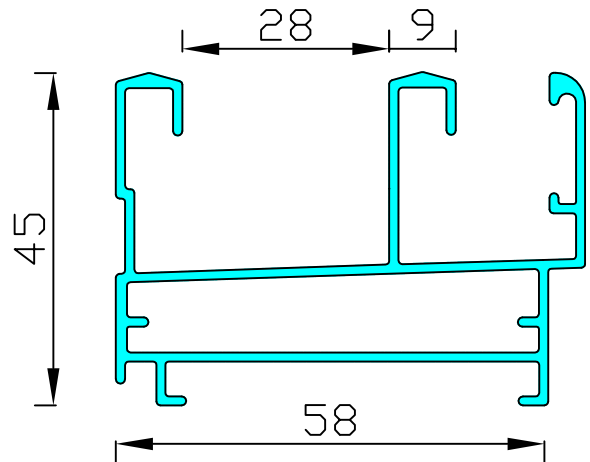
Wt: 0.450 Kgs./12'

Sec. No.-9787



Wt: 4.00 Kgs./12'

Sec. No.-9788

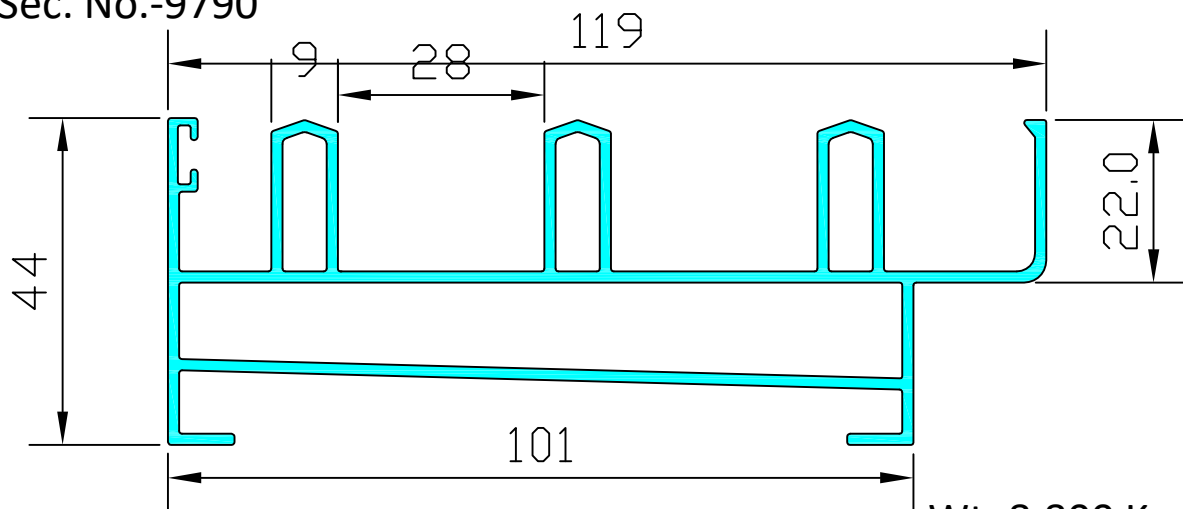


Wt: 3.800 Kgs./12'



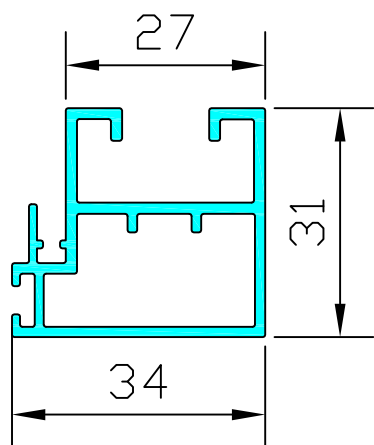
# BOMBAY ALUMINIUM PVT. LTD.

Sec. No.-9790



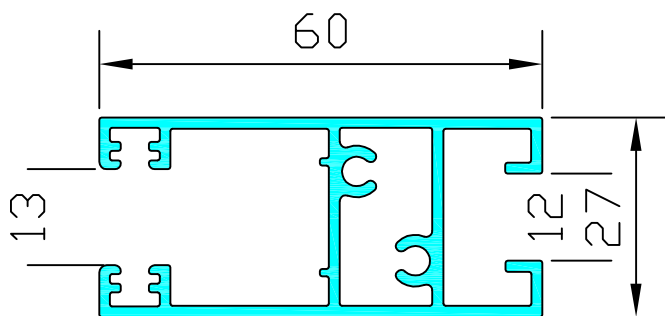
Wt: 8.800 Kgs./12'

Sec. No.-9791



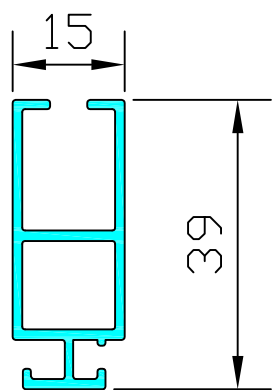
Wt: 2.300 Kgs./12'

Sec. No.-9792



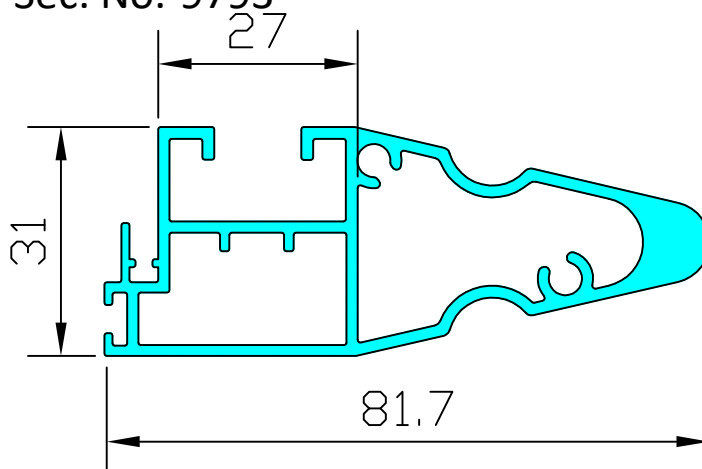
Wt: 3.550 Kgs./12'

Sec. No.-9789



Wt: 1.500 Kgs./12'

Sec. No.-9793

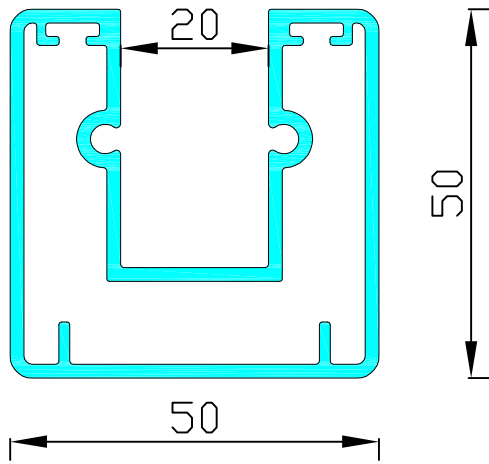


Wt: 4.900 Kgs./12'



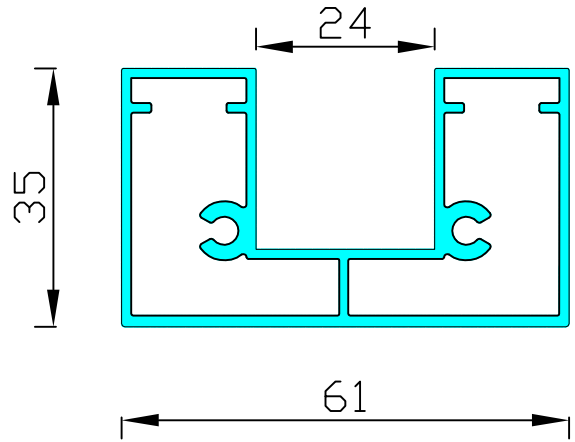
# BOMBAY ALUMINIUM PVT. LTD.

Sec. No.-9795



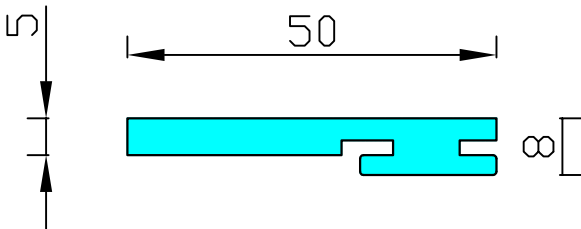
Wt: 5.500 Kgs./12'

Sec. No.-9796a



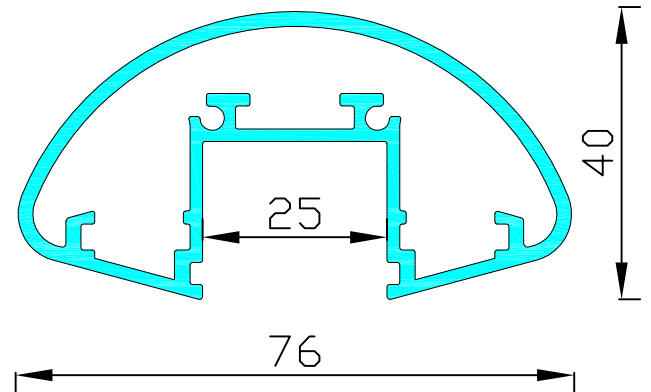
Wt: 4.00 Kgs./12'

Sec. No.-9798



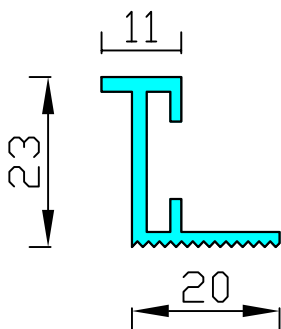
Wt: 2.750 Kgs./12'

Sec. No.-9797



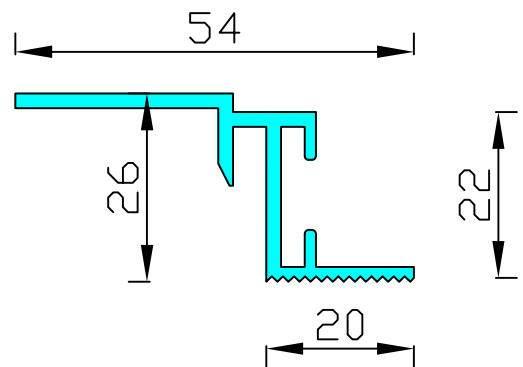
Wt: 4.800 Kgs./12'

Sec. No.-9799



Wt: 1.100 Kgs./12'

Sec. No.-9800

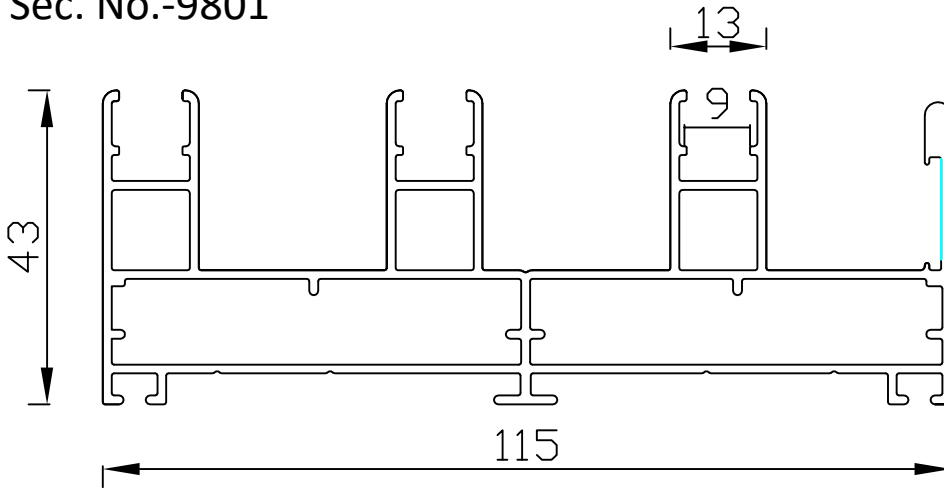


Wt: 1.850 Kgs./12'

PRODUCED BY AN AUTODESK EDUCATIONAL PRODUCT

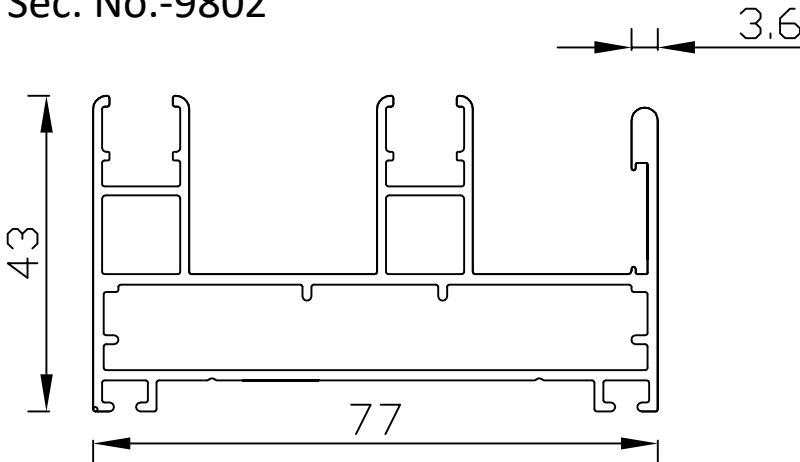


Sec. No.-9801



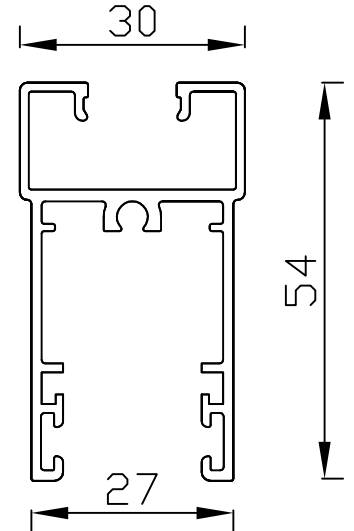
Wt: 6.600 Kgs./12'

Sec. No.-9802



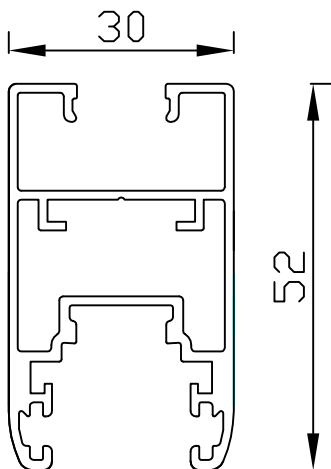
Wt: 4.600 Kgs./12'

Sec. No.-9803



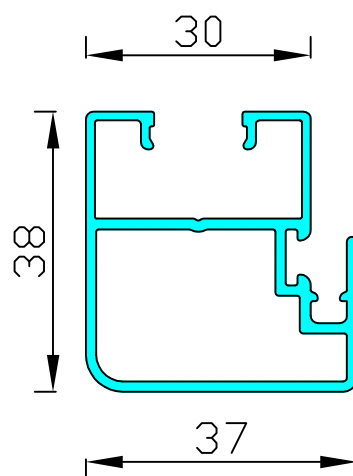
Wt: 2.650 Kgs./12'

Sec. No.-9804



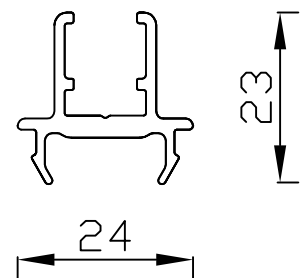
Wt: 3.050 Kgs./12'

Sec. No.-9805



Wt: 2.500 Kgs./12'

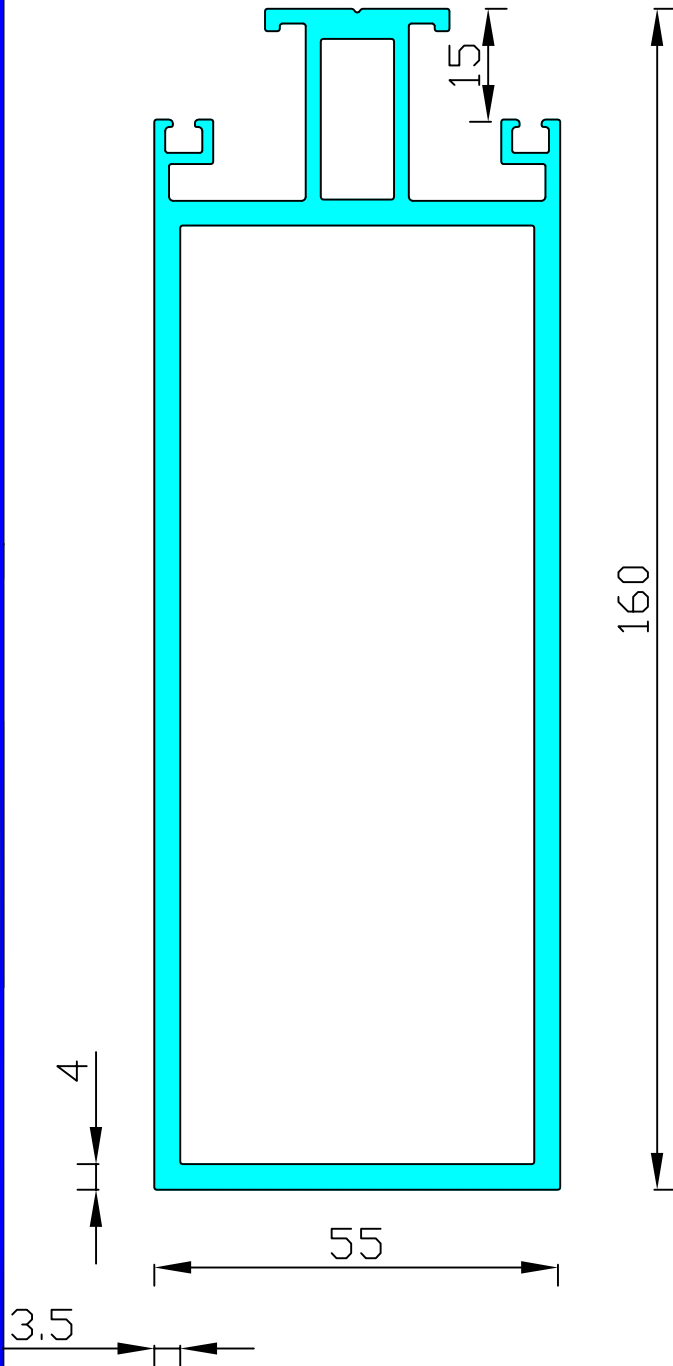
Sec. No.-9806



Wt: 1.200 Kgs./12'

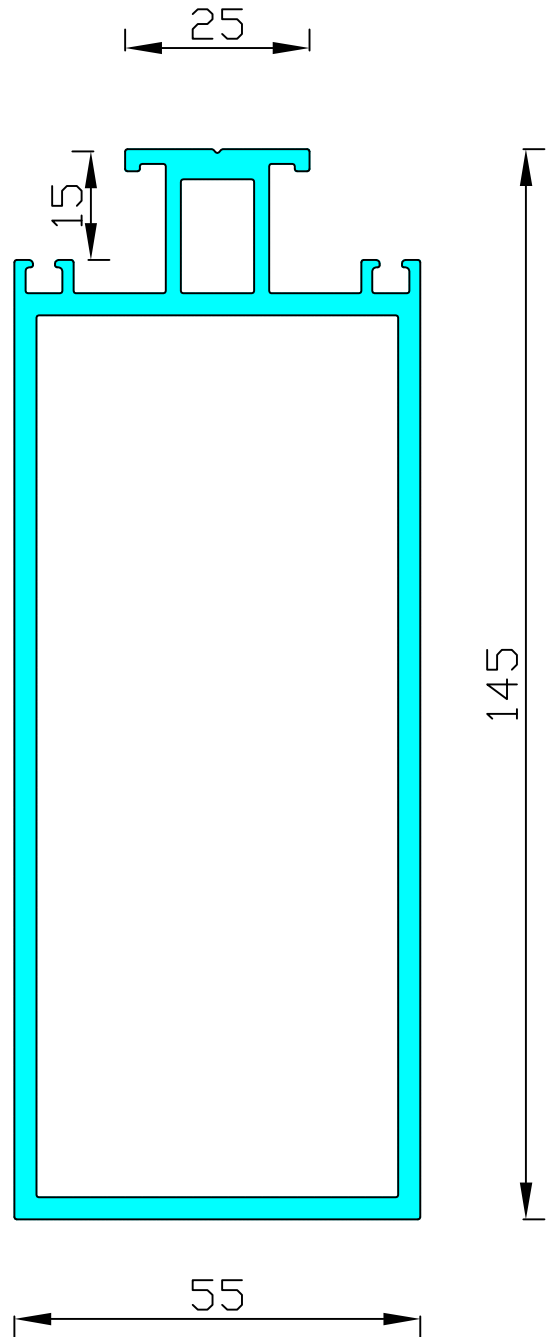


Sec. No.-9807



Wt: 16.400 Kgs./12'

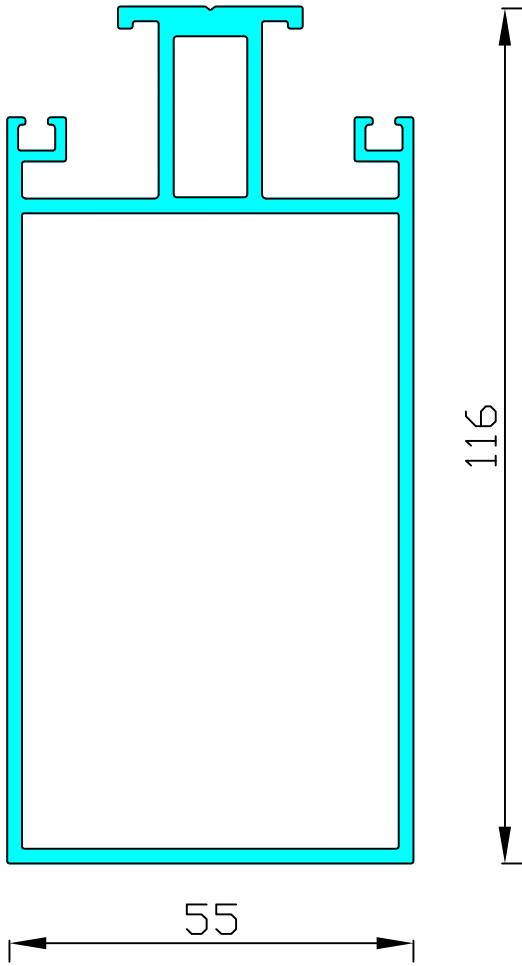
Sec. No.-9808



Wt: 12.100 Kgs./12'

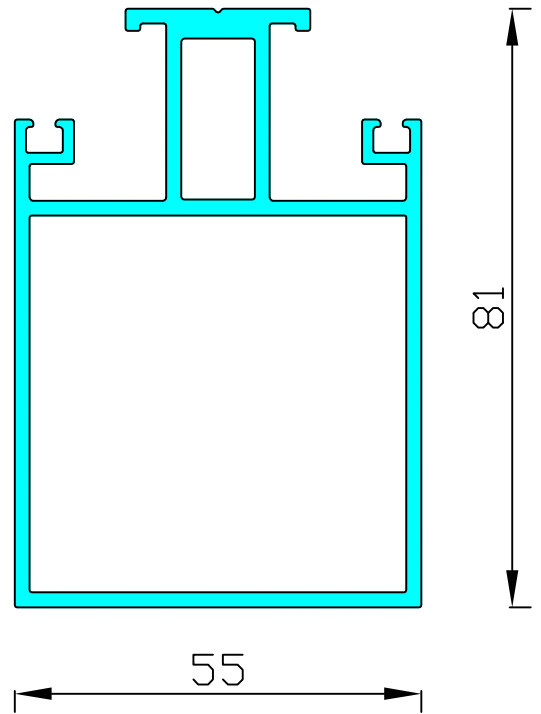


Sec. No.-9809



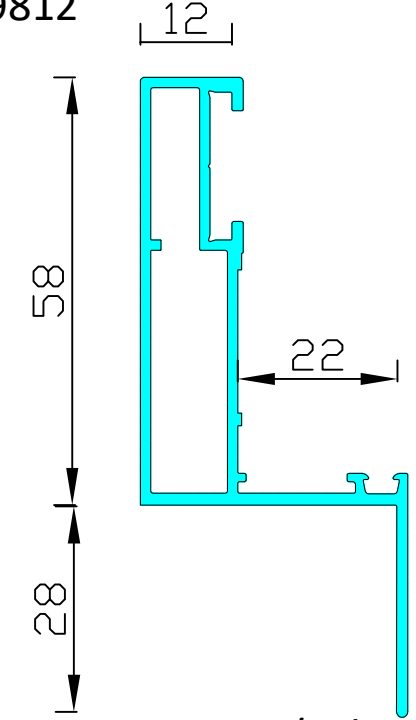
Wt: 8.000 Kgs./12'

Sec. No.-9810



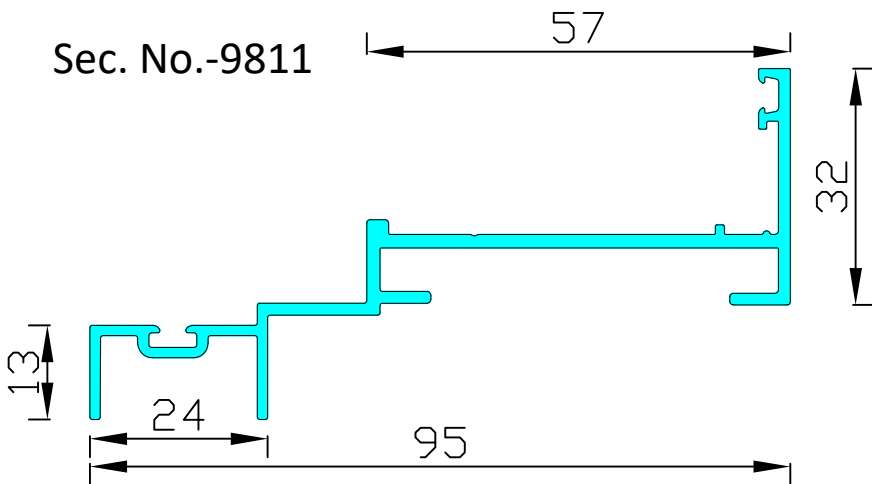
Wt: 6.600 Kgs./12'

Sec. No.-9812



Wt: 3.400 Kgs./12'

Sec. No.-9811



Wt: 3.200 Kgs./12'

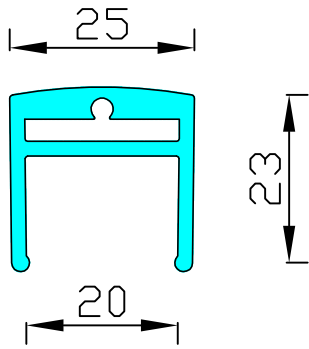




# BOMBAY ALUMINIUM PVT. LTD.

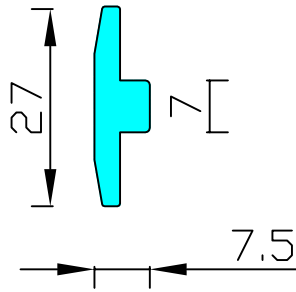
PRODUCED BY AN AUTODESK EDUCATIONAL PRODUCT

Sec. No.-9814



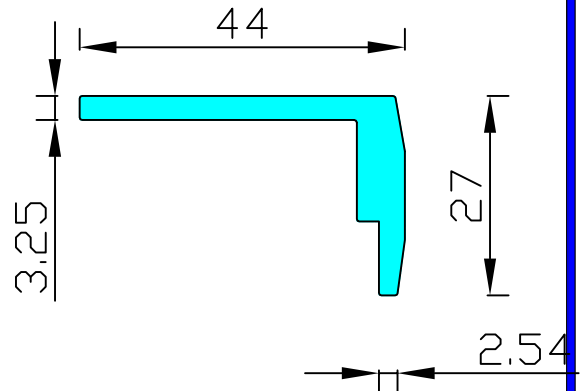
Wt: 2.150 Kgs./12'

Sec. No.-9815



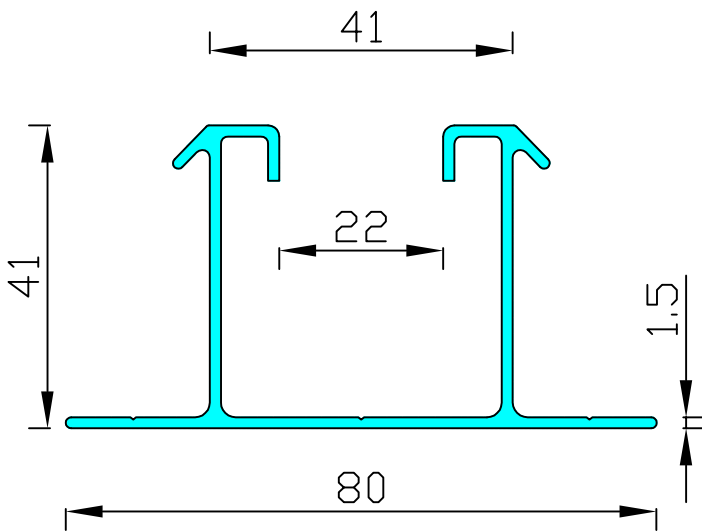
Wt: 1.10 Kgs./12'

Sec. No.-9816



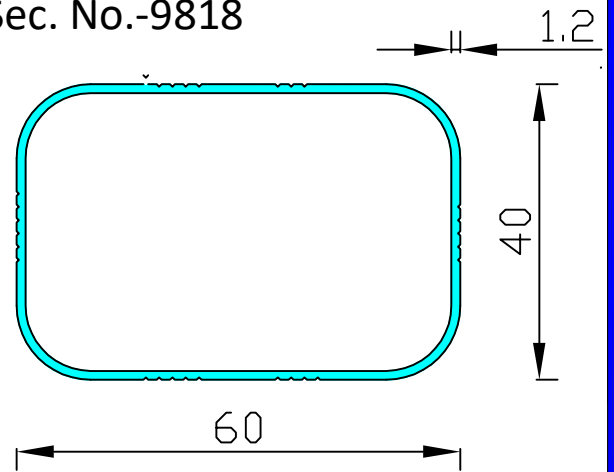
Wt: 2.500 Kgs./12'

Sec. No.-9817



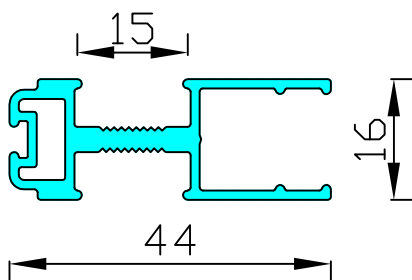
Wt: 3.100 Kgs./12'

Sec. No.-9818



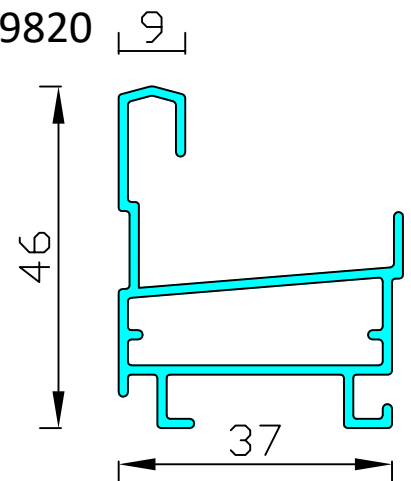
Wt: 2.650 Kgs./12'

Sec. No.-9819



Wt: 2.00 Kgs./12'

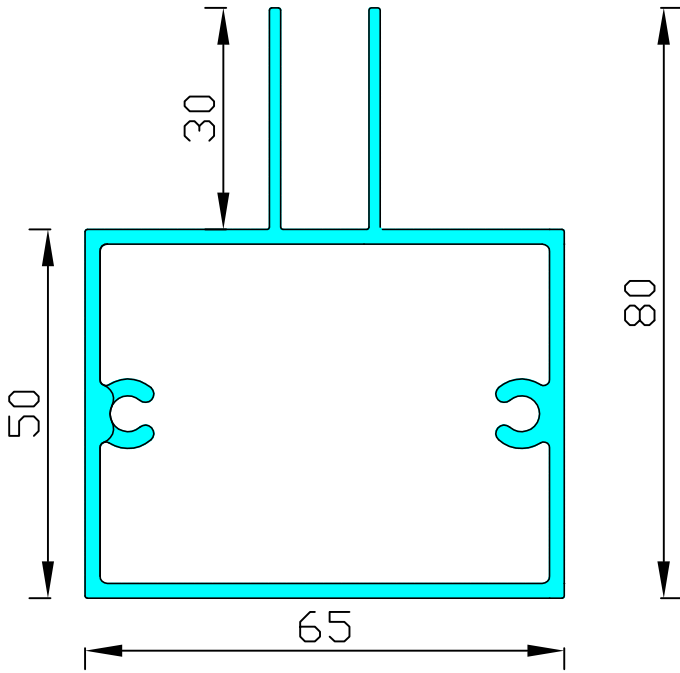
Sec. No.-9820



Wt: 2.350 Kgs./12'

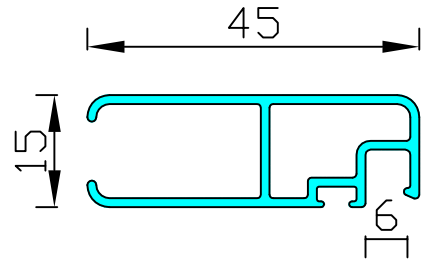


Sec. No.-9821



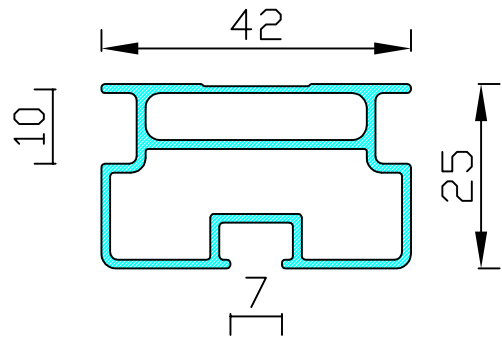
Wt: 6.600 Kgs./12'

Sec. No.-9826



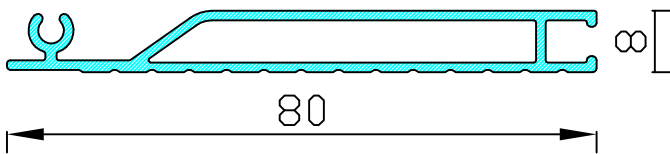
Wt: 1.750 Kgs./12'

Sec. No.-9824



Wt: 2.250 Kgs./12'

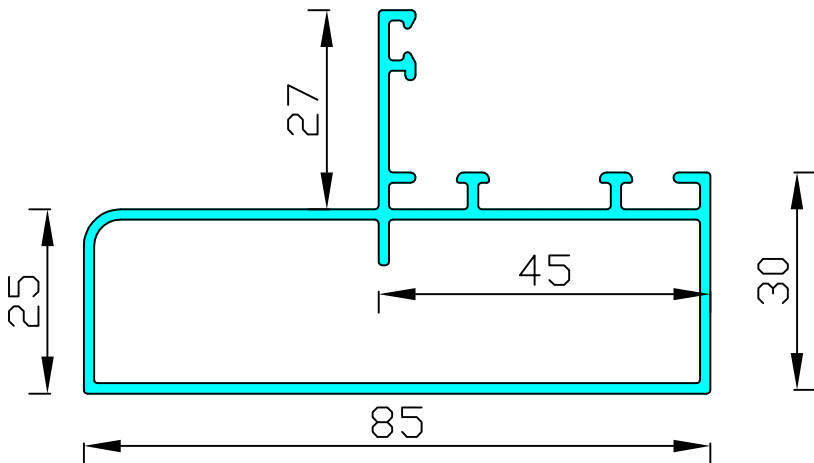
Sec. No.-9823



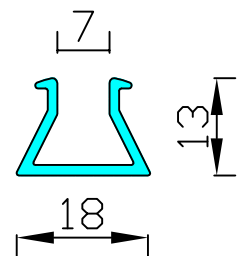
Wt: 2.250 Kgs./12'

Sec. No.-9825

Wt: 4.200 Kgs./12'



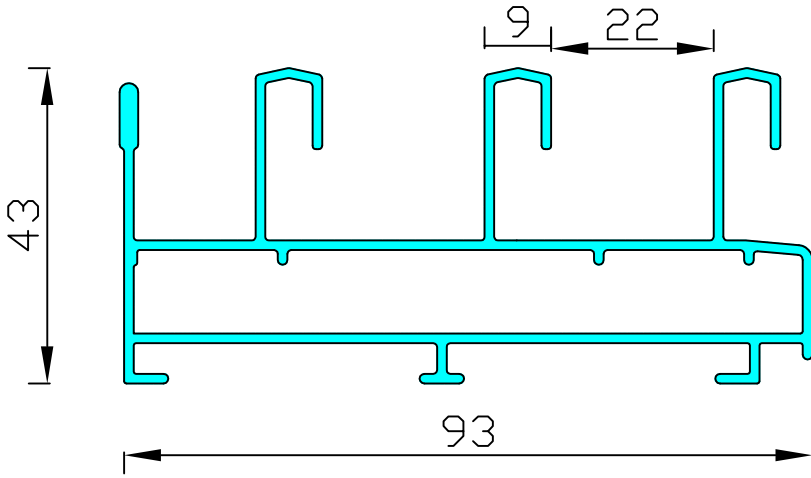
Sec. No.-9822



Wt: 0.650 Kgs./12'

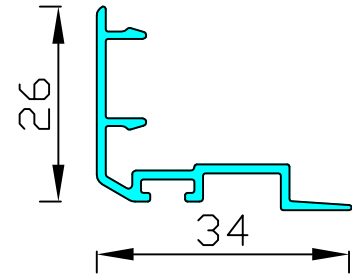


Sec. No.-9827



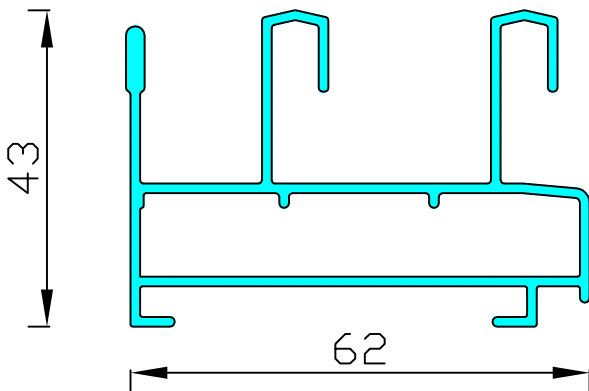
Wt: 5.100 Kgs./12'

Sec. No.-9830



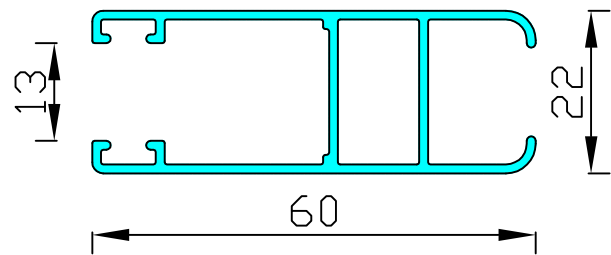
Wt: 1.100 Kgs./12'

Sec. No.-9828



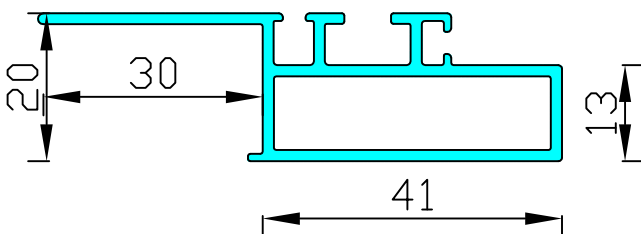
Wt: 3.800 Kgs./12'

Sec. No.-9829



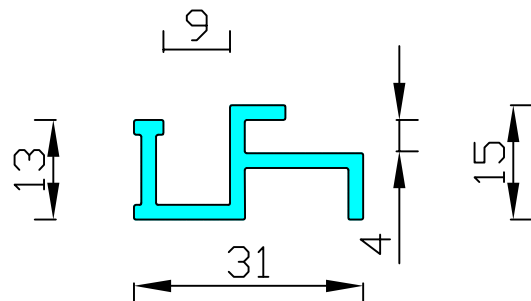
Wt: 2.300 Kgs./12'

Sec. No.-9831



Wt: 2.500 Kgs./12'

Sec. No.-9832

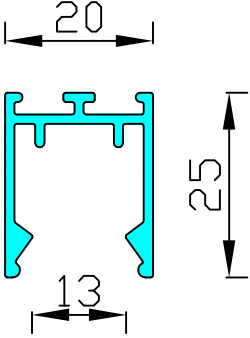
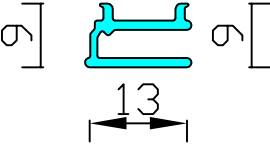
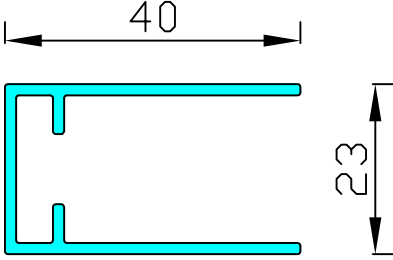
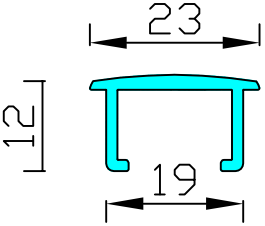
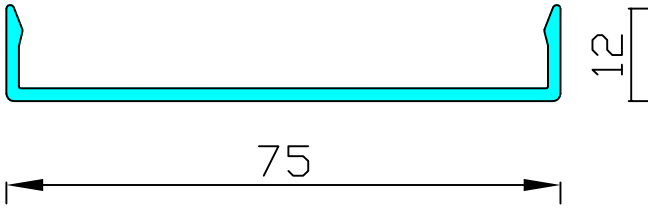
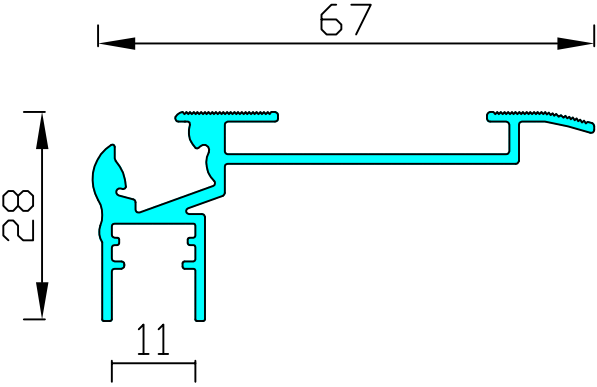
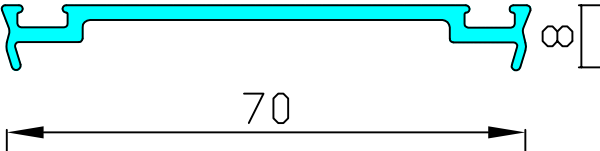


Wt: 1.400 Kgs./12'



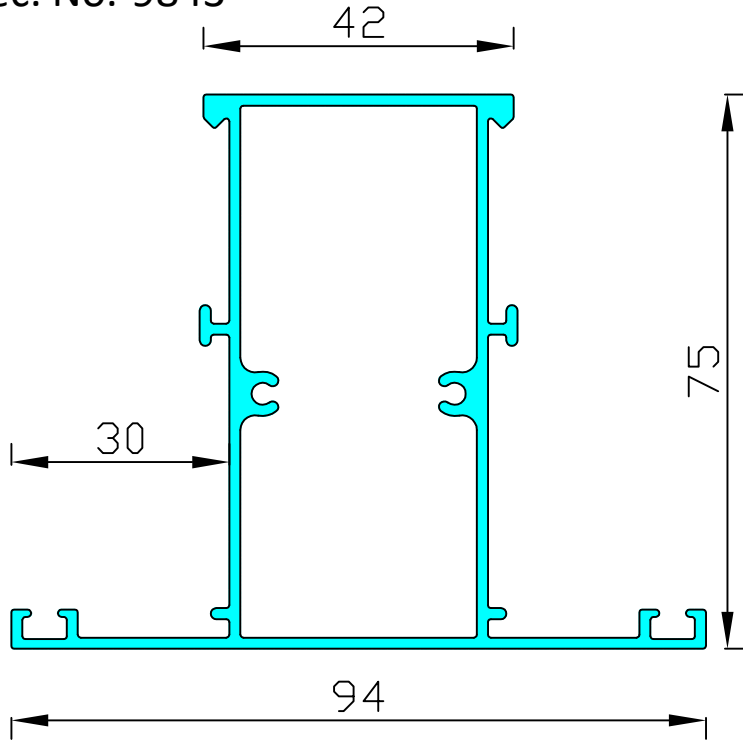
# BOMBAY ALUMINIUM PVT. LTD.

PRODUCED BY AN AUTODESK EDUCATIONAL PRODUCT

<p>Sec. No.-9833</p>  <p>Wt: 1.20 Kgs./12'</p>	<p>Sec. No.-9834</p>  <p>Wt: 0.450 Kgs./12'</p>	<p>Sec. No.-9835</p>  <p>Wt: 1.700 Kgs./12'</p>
<p>Sec. No.-Ex-9865</p>  <p>Wt: 0.750 Kgs./12'</p>	<p>Sec. No.-9867</p>  <p>Wt: 1.400 Kgs./12'</p>	
<p>Sec. No.-9868</p>  <p>Wt: 2.200 Kgs./12'</p>	<p>Sec. No.-9866</p>  <p>Wt: 1.900 Kgs./12'</p>	

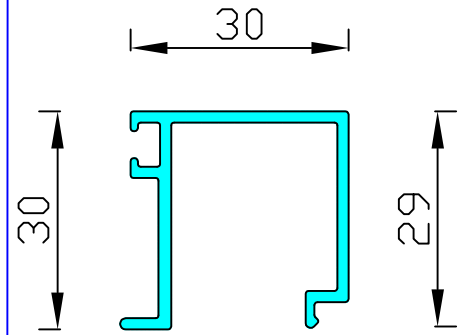


Sec. No.-9843



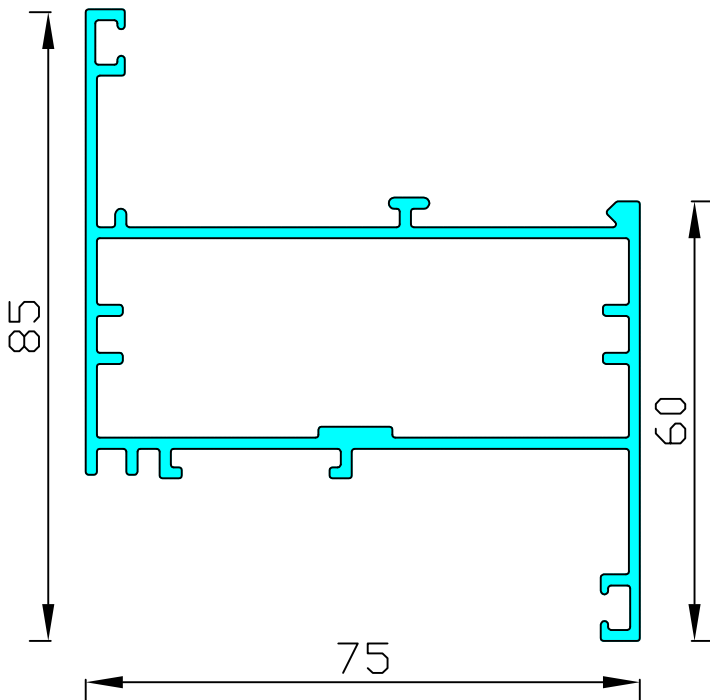
Wt: 5.50 Kgs./12'

Sec. No.-9844



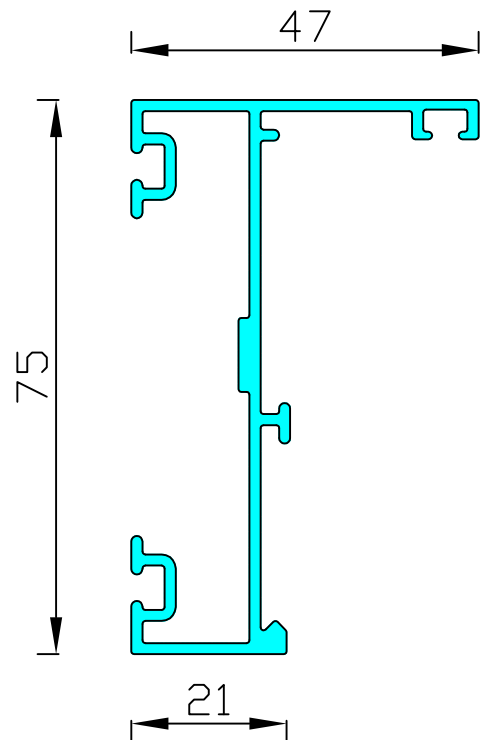
Wt: 1.60 Kgs./12'

Sec. No.-9842



Wt: 5.60 Kgs./12'

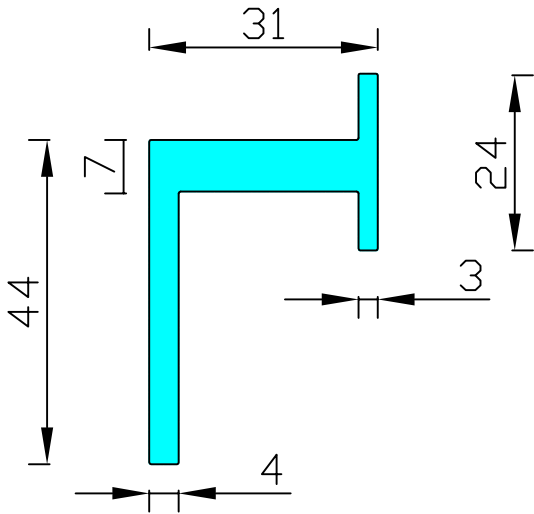
Sec. No.-9841



Wt: 3.40 Kgs./12'

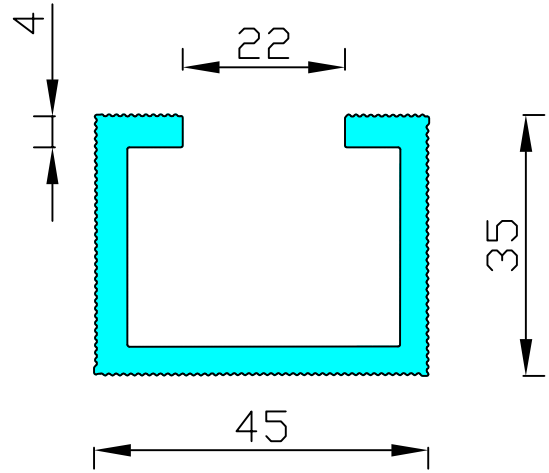


Sec. No.-9846



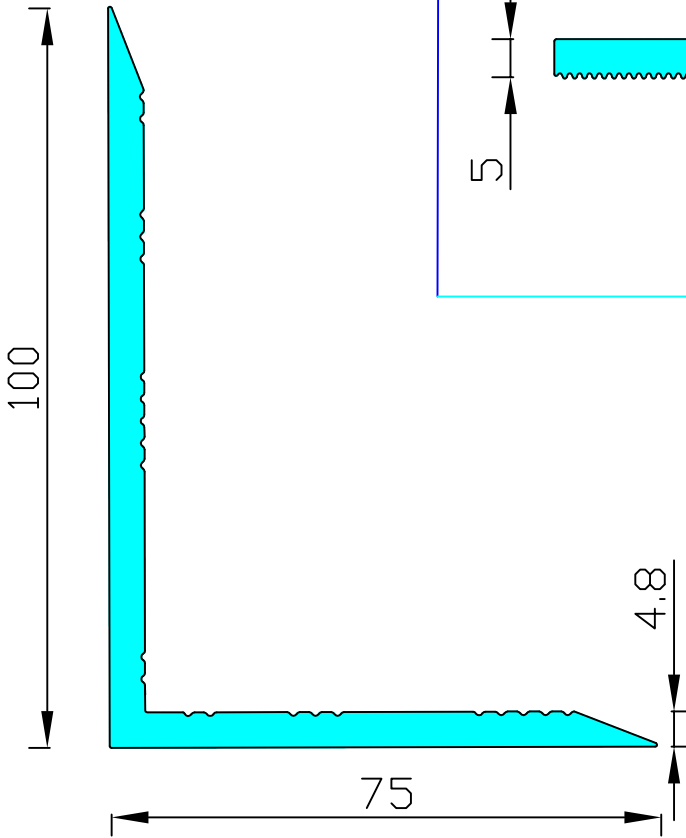
Wt: 4.10 Kgs./12'

Sec. No.-9847



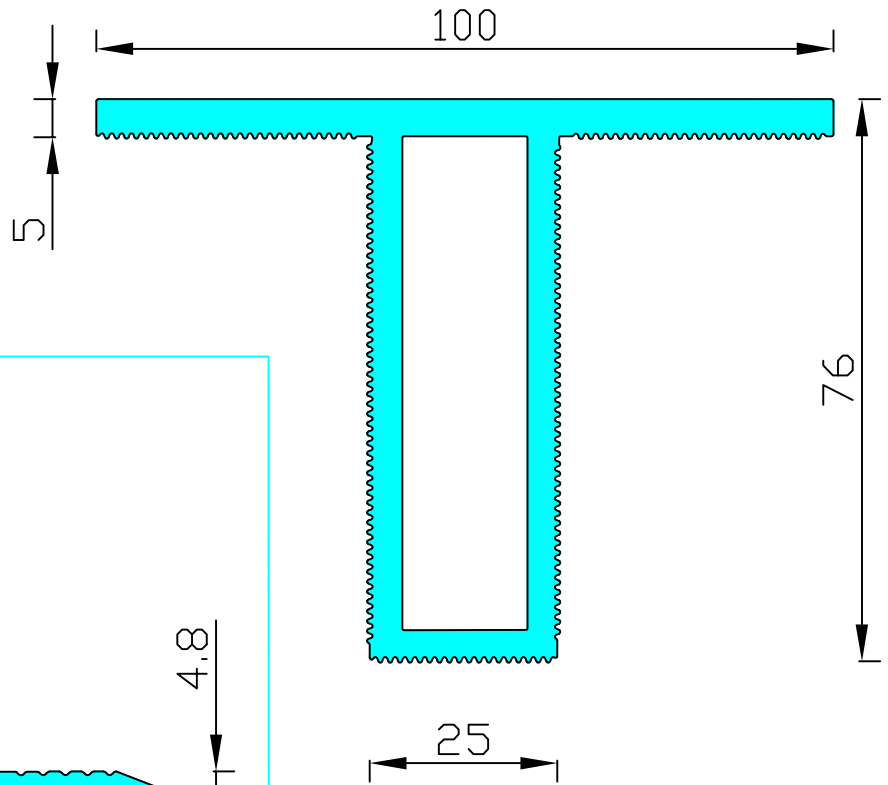
Wt: 4.80 Kgs./12'

Sec. No.-9845



Wt: 7.800 Kgs./12'

Sec. No.-9848

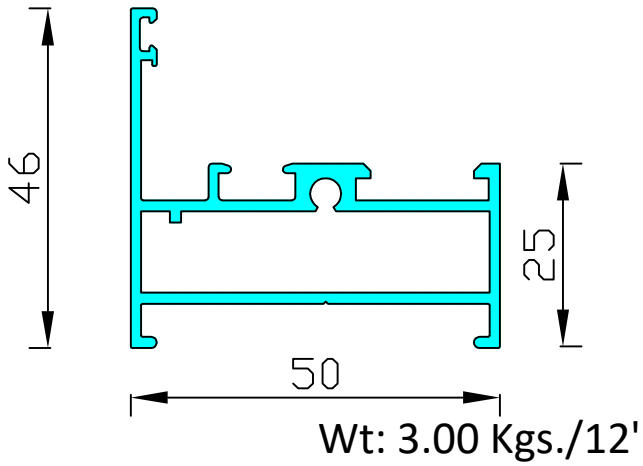


Wt: 11.70 Kgs./12'

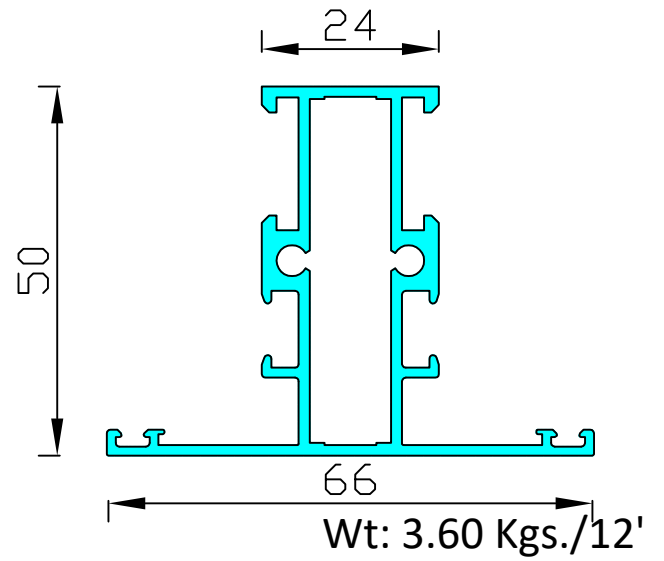


# BOMBAY ALUMINIUM PVT. LTD.

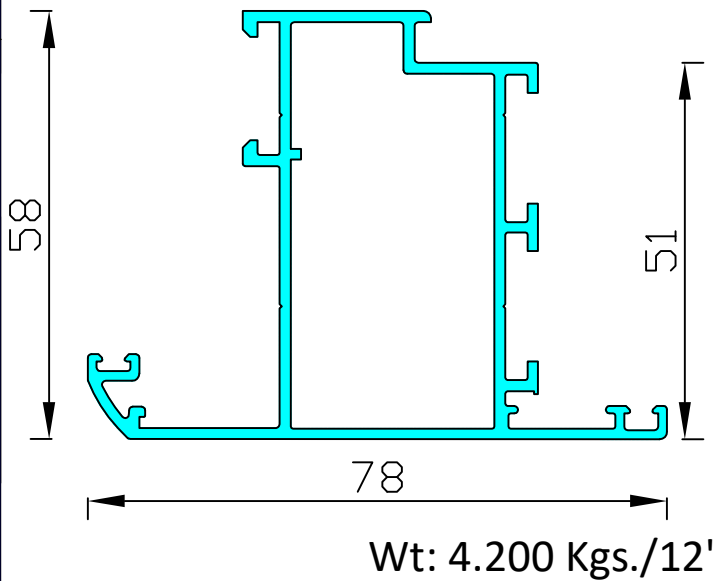
Sec. No.-9849



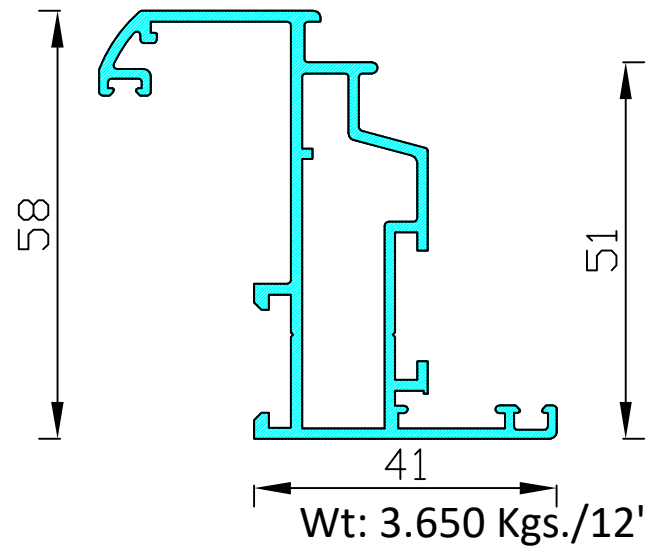
Sec. No.-9850



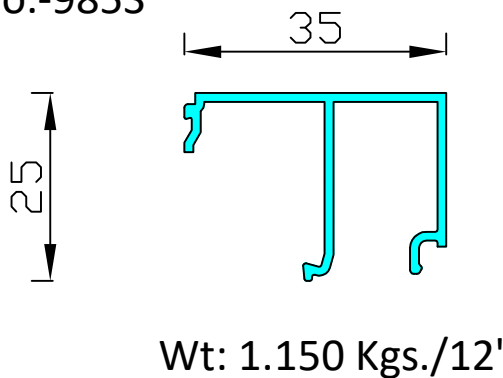
Sec. No.-9851



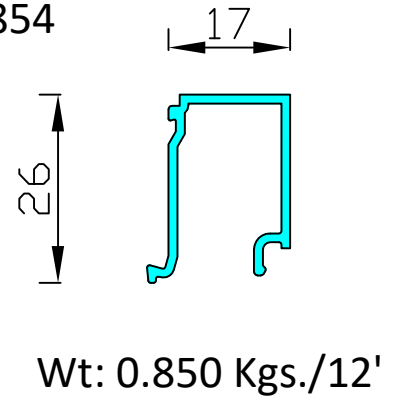
Sec. No.-9852



Sec. No.-9853



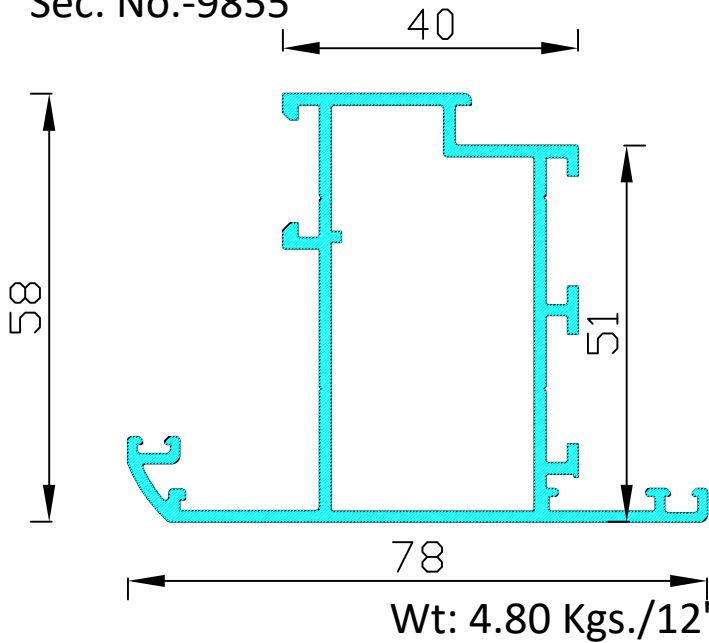
Sec. No.-9854



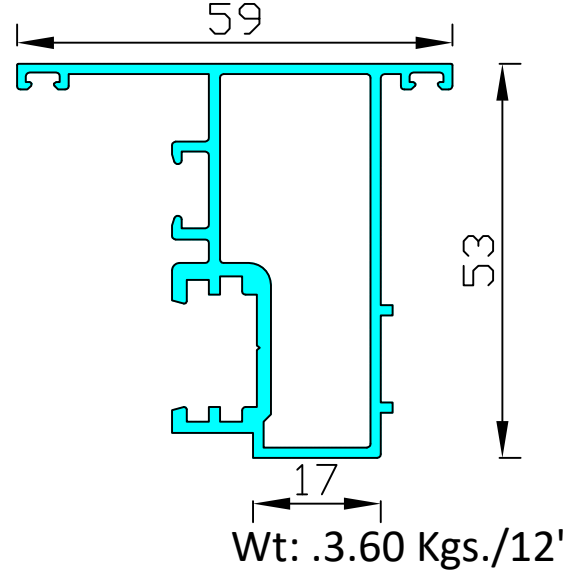


# BOMBAY ALUMINIUM PVT. LTD.

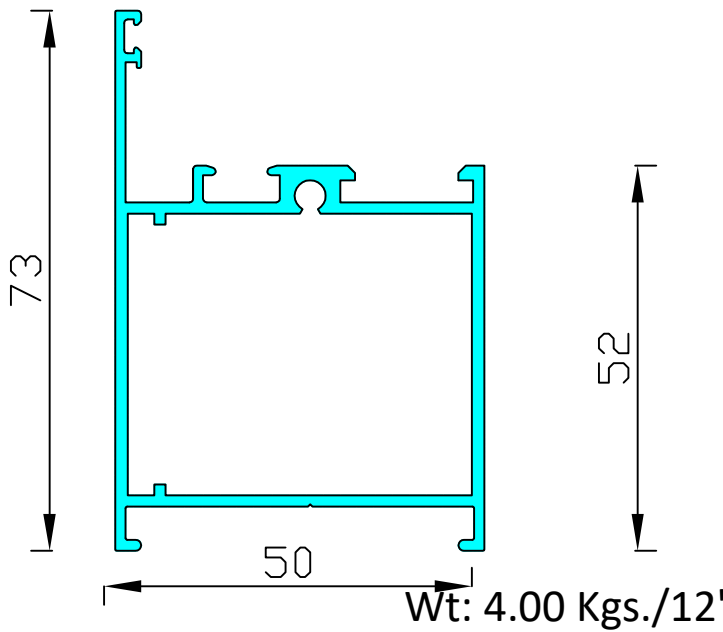
Sec. No.-9855



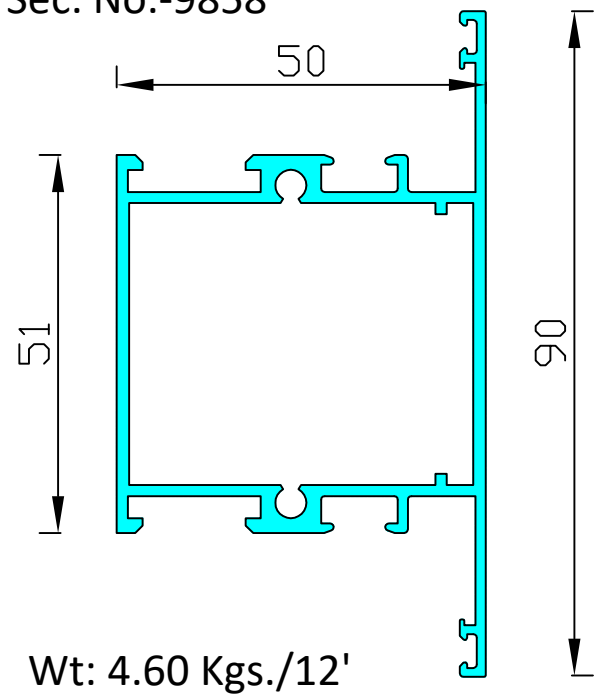
Sec. No.-9856



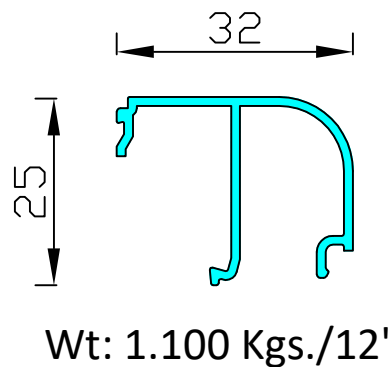
Sec. No.-9857



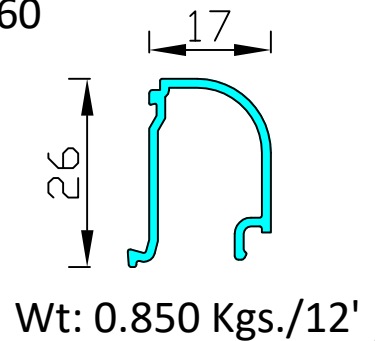
Sec. No.-9858



Sec. No.-9859



Sec. No.-9860

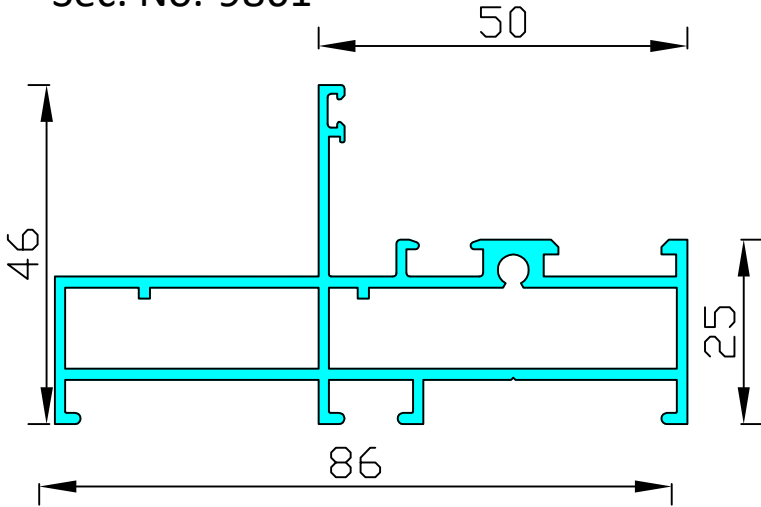






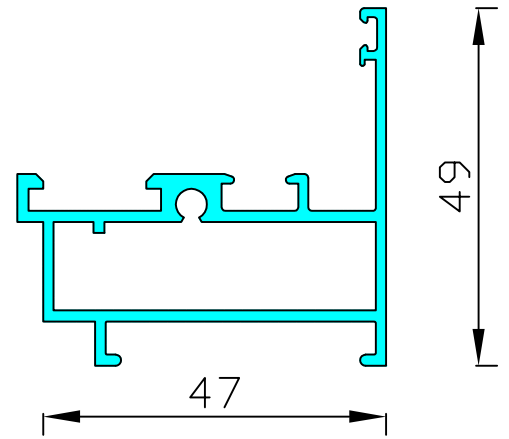
# BOMBAY ALUMINIUM PVT. LTD.

Sec. No.-9861



Wt: 4.40 Kgs./12'

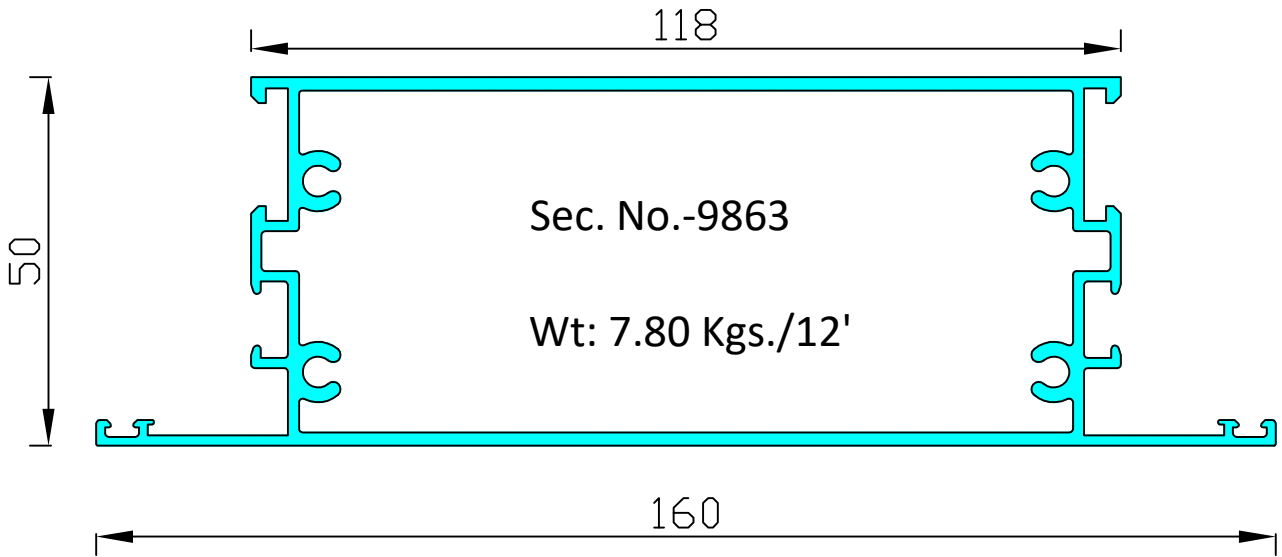
Sec. No.-9862



Wt: 3.00 Kgs./12'

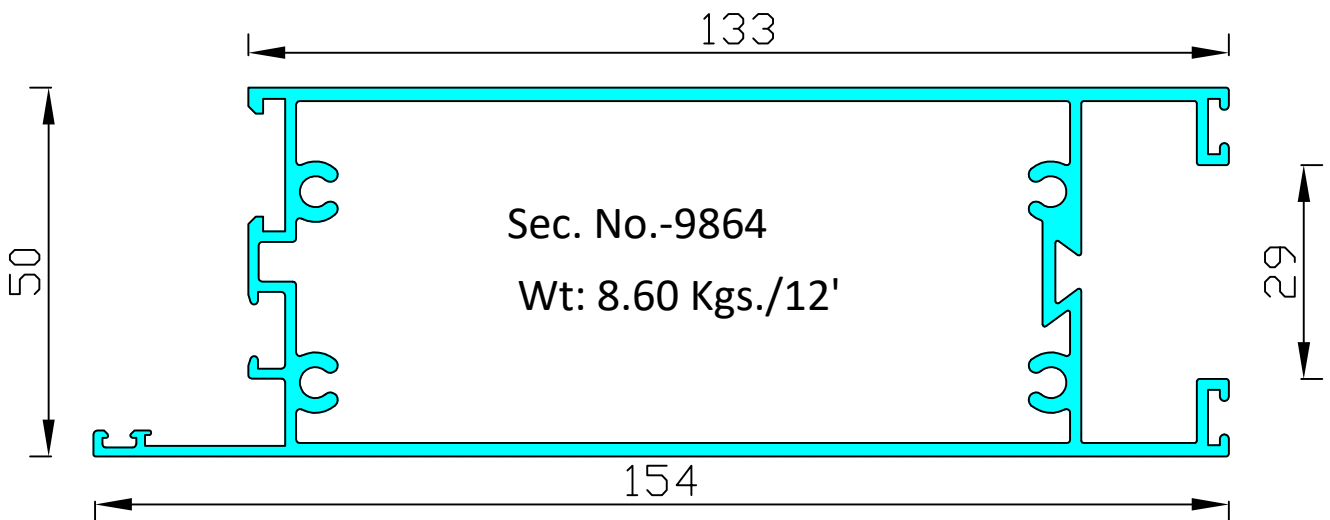
Sec. No.-9863

Wt: 7.80 Kgs./12'



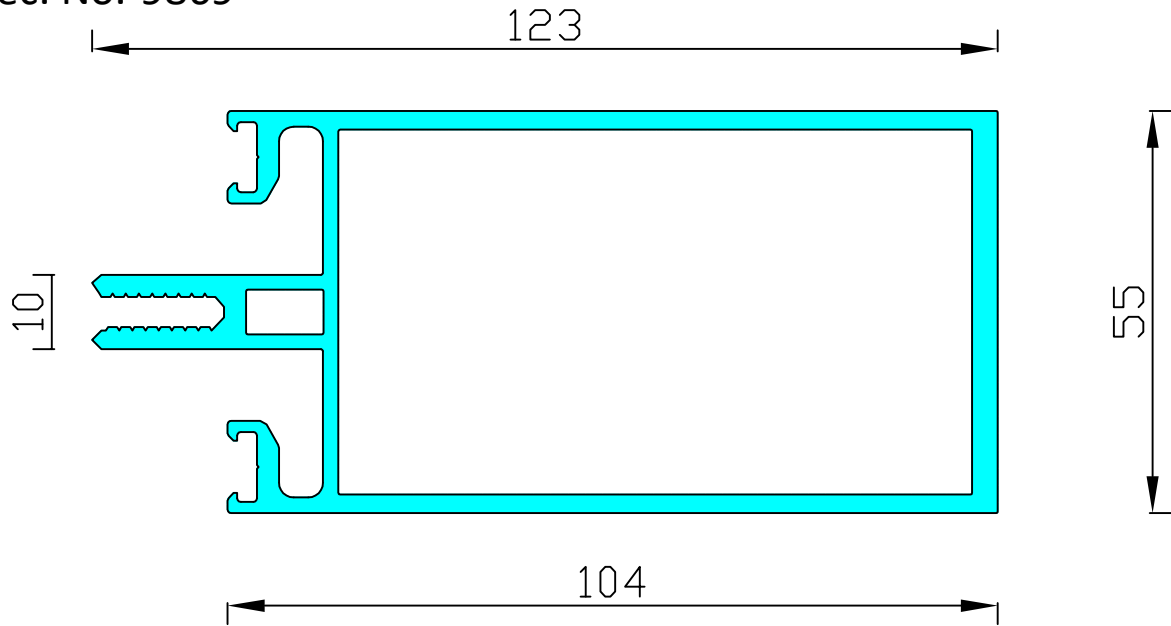
Sec. No.-9864

Wt: 8.60 Kgs./12'



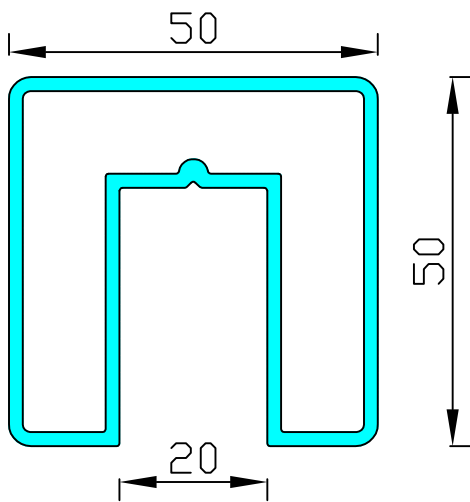


Sec. No.-9869



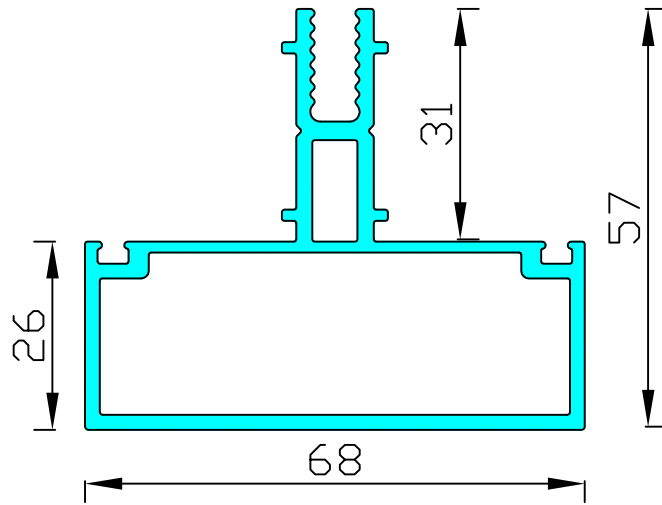
Wt: 10.40 Kgs./12'

Sec. No.-9870



Wt: 5.00 Kgs./12'

Sec. No.- 9871

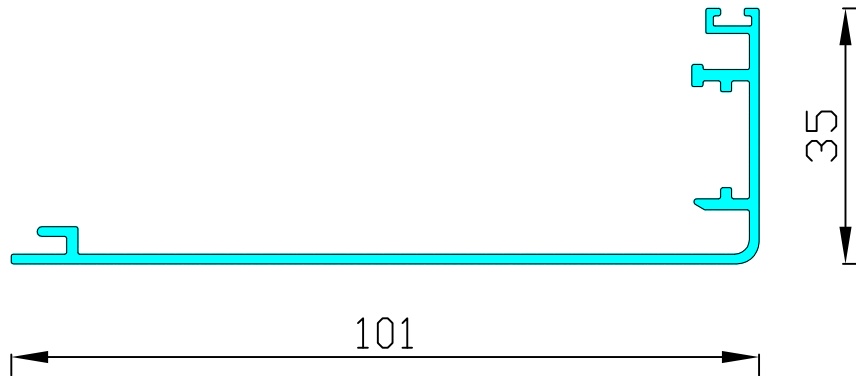


Wt: 5.00 Kgs./12'



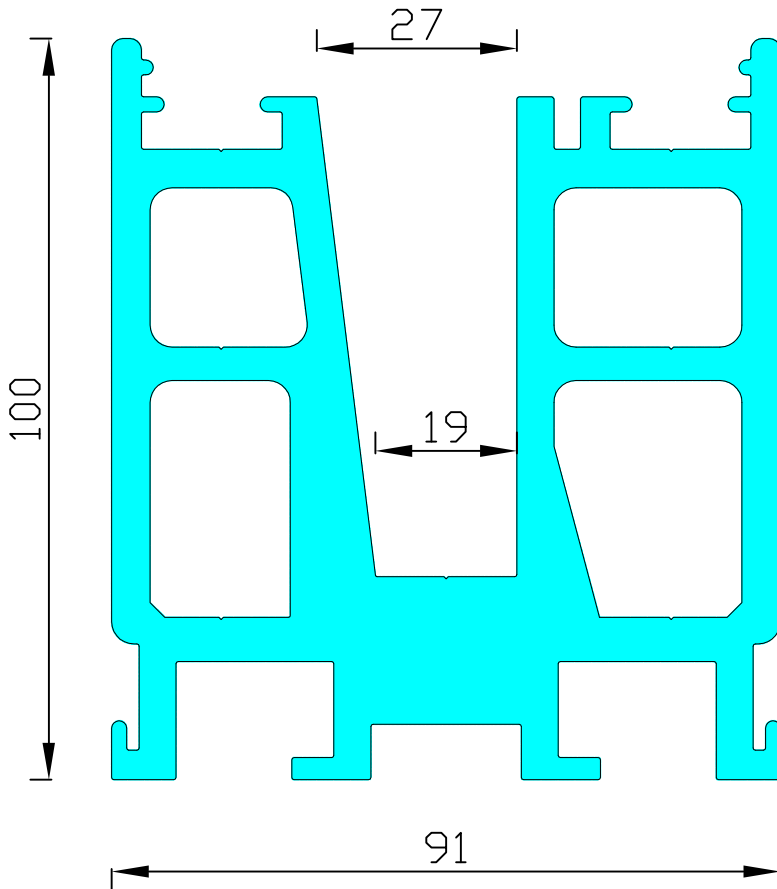
# BOMBAY ALUMINIUM PVT. LTD.

Sec. No.-9873



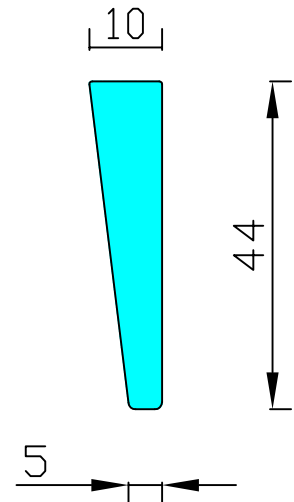
Wt: 2.300 Kgs./12'

Sec. No.-9874



Wt: 34.100 Kgs./12'

Sec. No.-9875



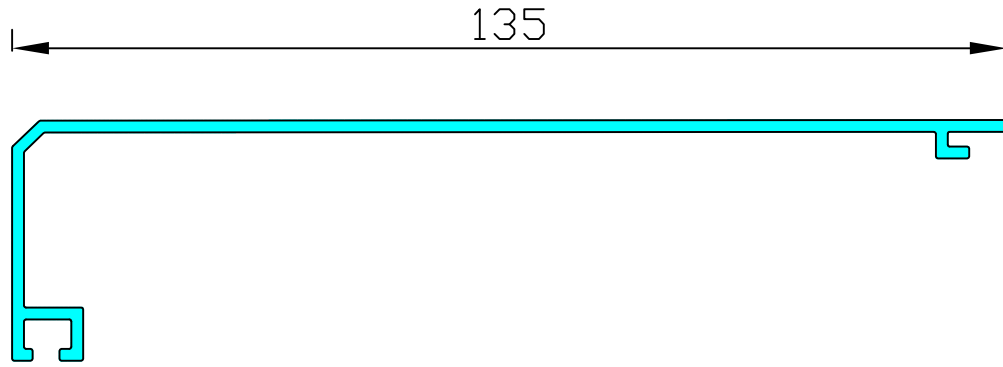
Wt: 3.200 Kgs./12'

PRODUCED BY AN AUTODESK EDUCATIONAL PRODUCT



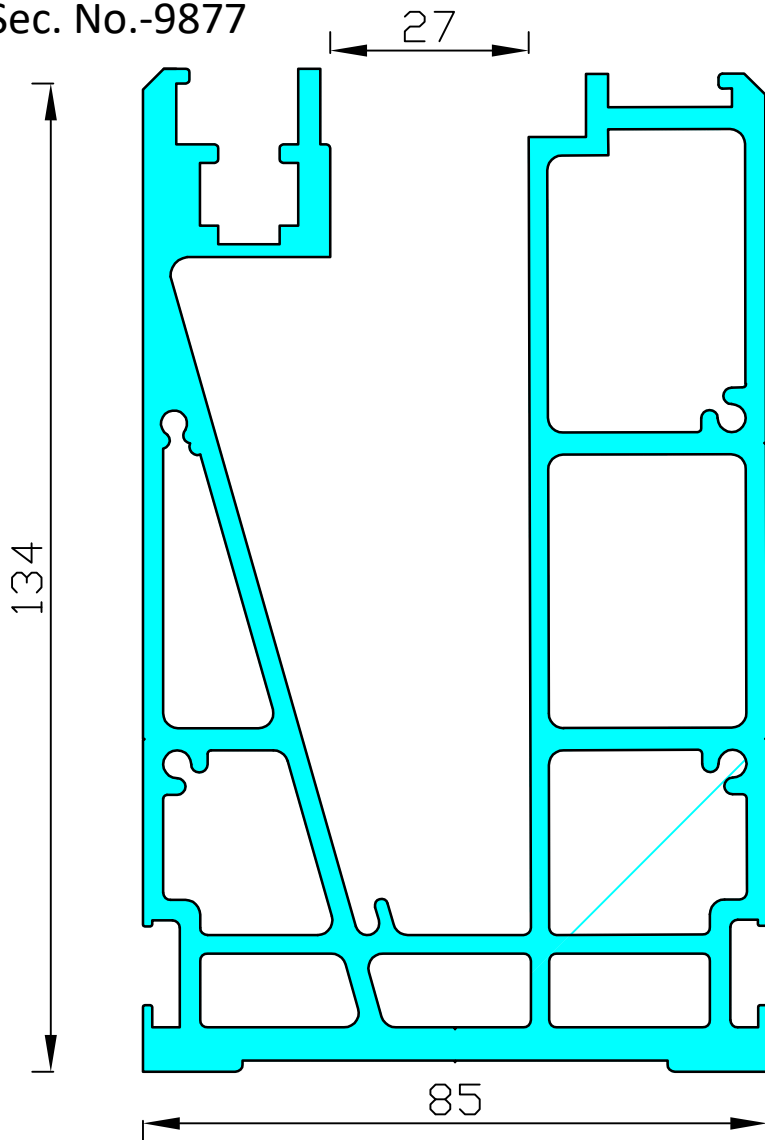
# BOMBAY ALUMINIUM PVT. LTD.

Sec. No.-9876



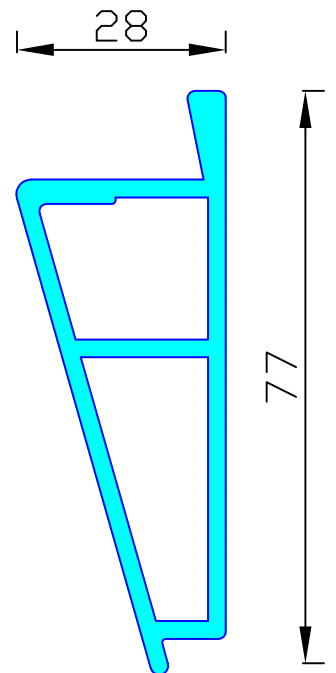
Wt: 3.600 Kgs./12'

Sec. No.-9877



Wt: 30.100 Kgs./12'

Sec. No.-9878



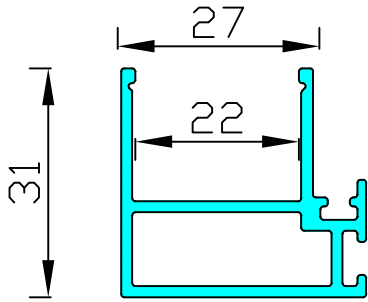
Wt: 5.900 Kgs./12'

PRODUCED BY AN AUTODESK EDUCATIONAL PRODUCT



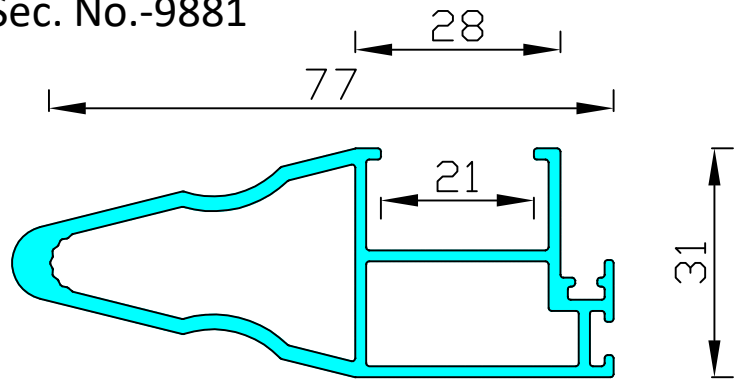
# BOMBAY ALUMINIUM PVT. LTD.

Sec. No.-9880



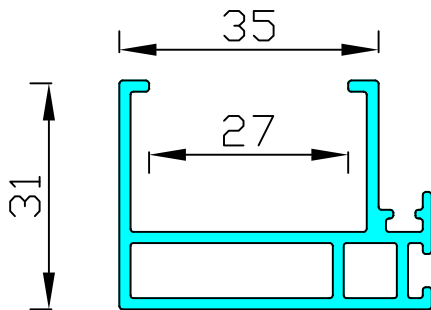
Wt: 2.00 Kgs./12'

Sec. No.-9881



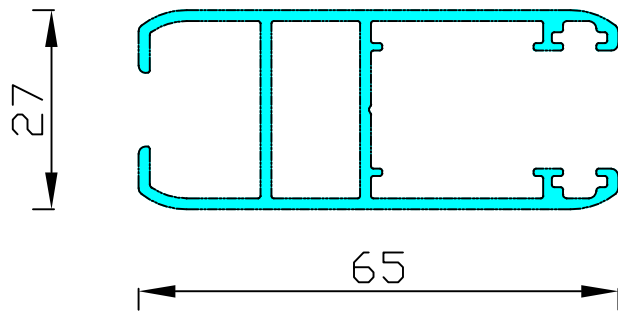
Wt: 4.30 Kgs./12'

Sec. No.-9883



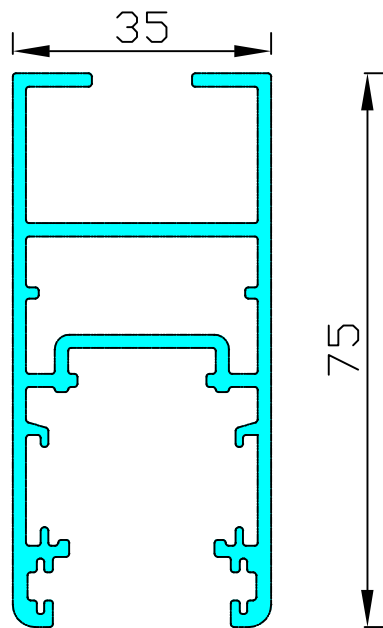
Wt: 2.500 Kgs./12'

Sec. No.-9879



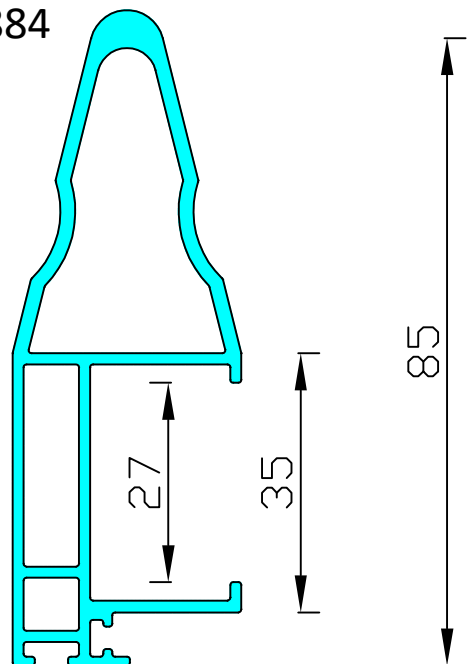
Wt: 3.10 Kgs./12'

Sec. No.-9882



Wt: 5.00 Kgs./12'

Sec. No.-9884



Wt: 4.60 Kgs./12'

PRODUCED BY AN AUTODESK EDUCATIONAL PRODUCT

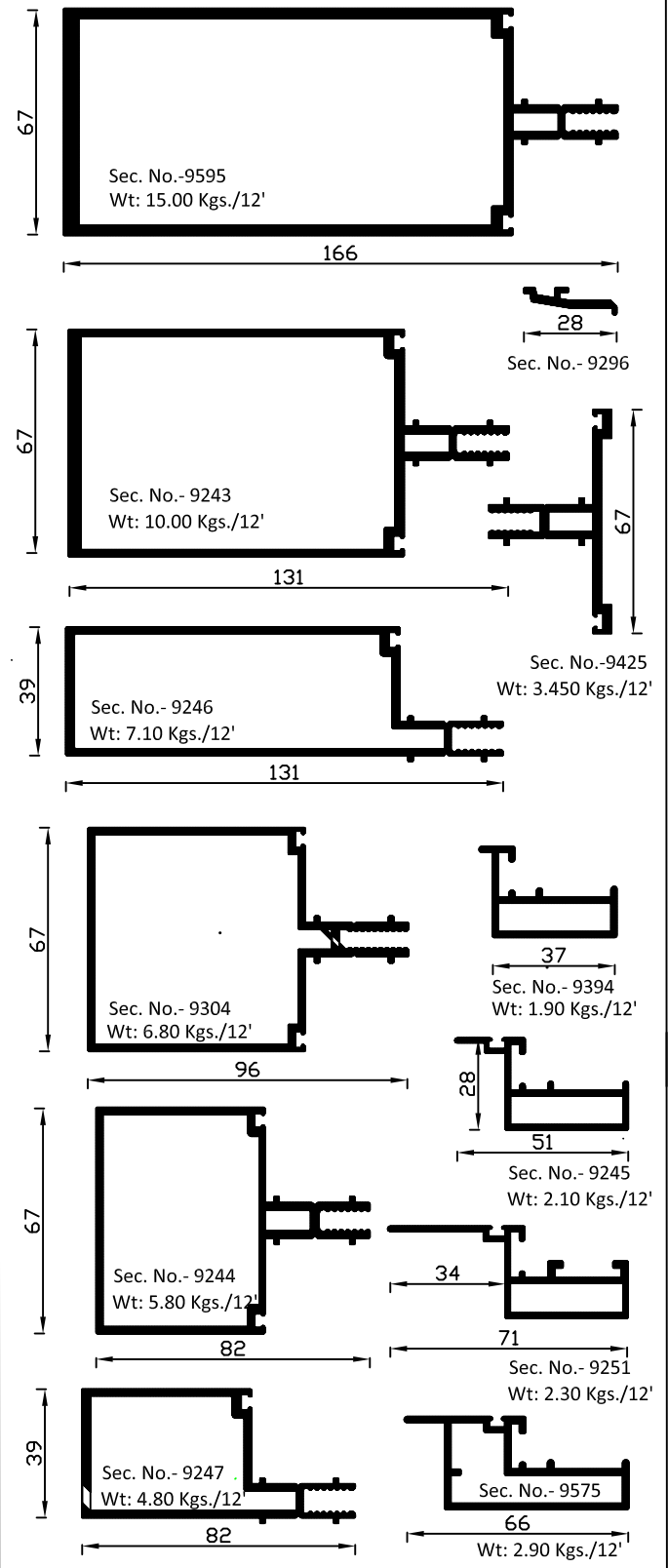
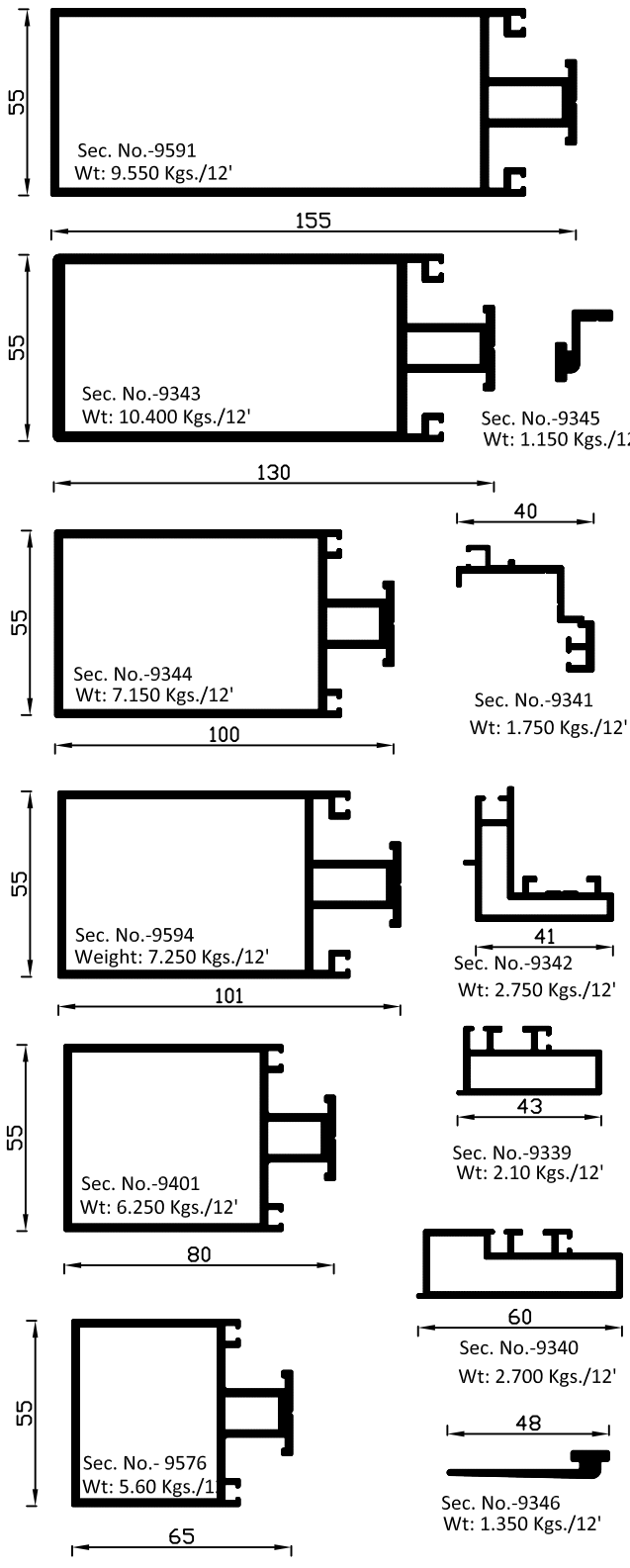


# BOMBAY ALUMINIUM PVT. LTD.



## 55 mm Semi-Unitise Glazing System.

## 67 mm Semi-Unitise Glazing System



PRODUCED BY AN AUTODESK EDUCATIONAL PRODUCT

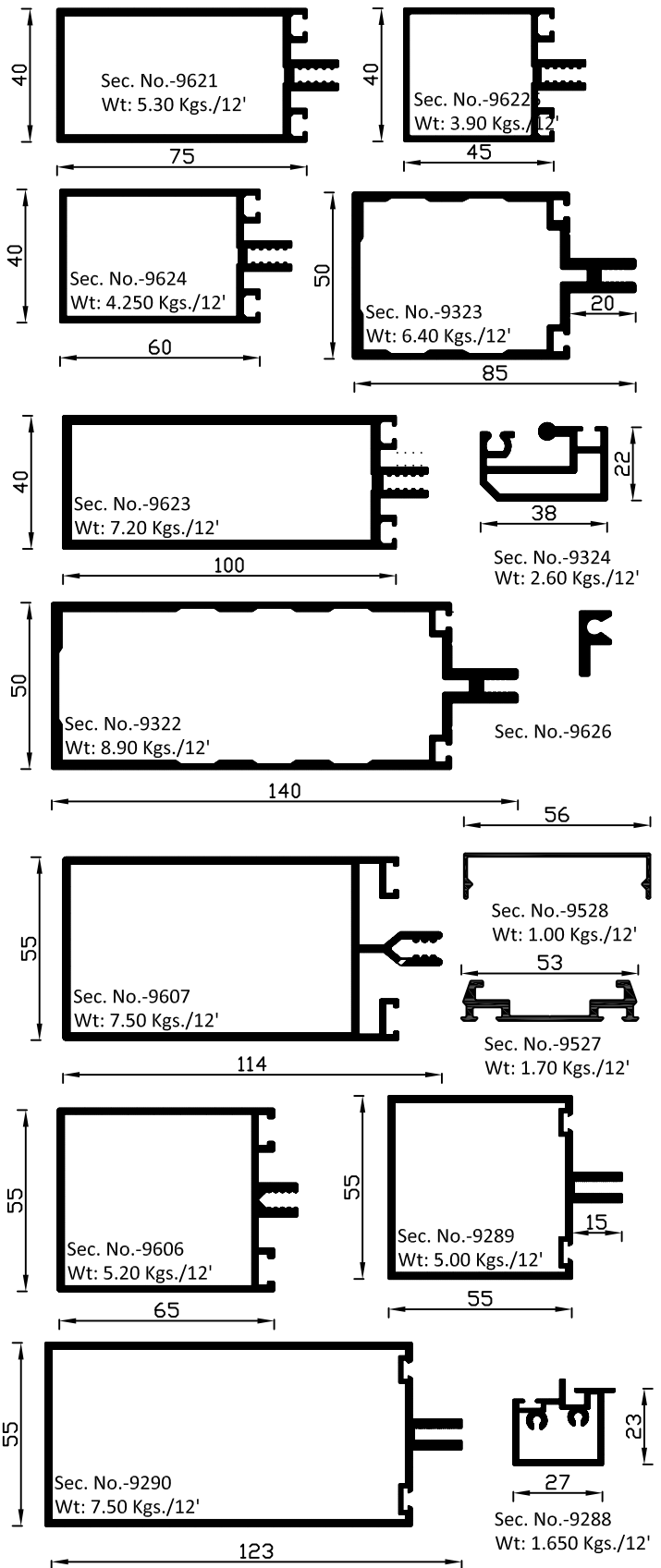
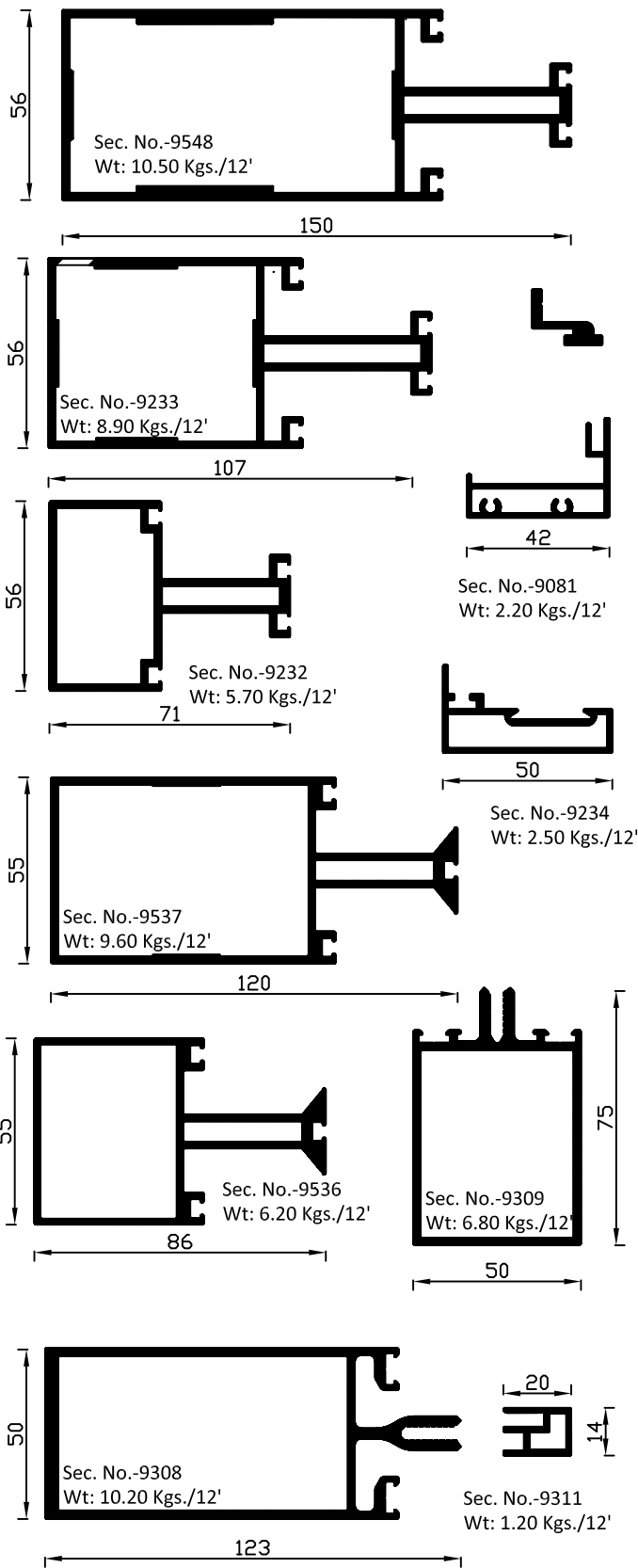
PRODUCED BY AN AUTODESK EDUCATIONAL PRODUCT

# BOMBAY ALUMINIUM PVT. LTD.

n

## Semi-Unitise Glazing System

## Curtain Wall Series



PRODUCED BY AN AUTODESK EDUCATIONAL PRODUCT

PRODUCED BY AN AUTODESK EDUCATIONAL PRODUCT

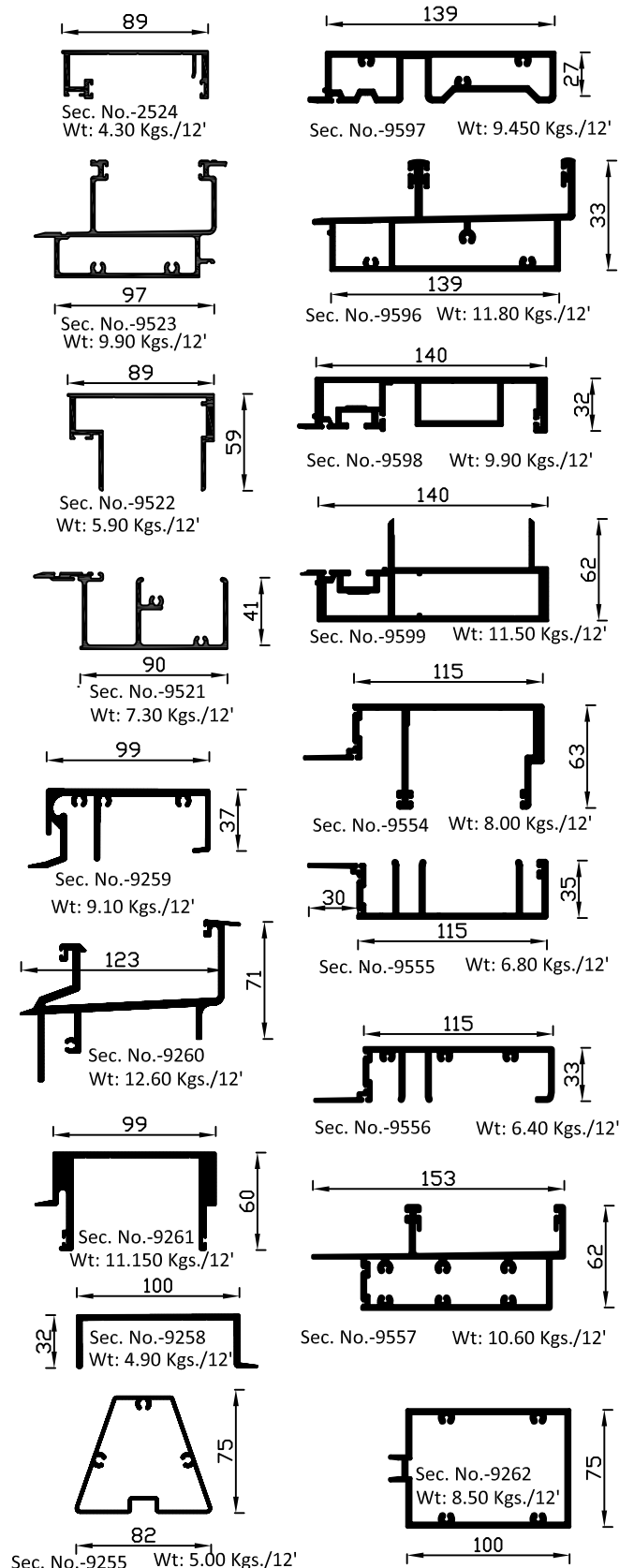
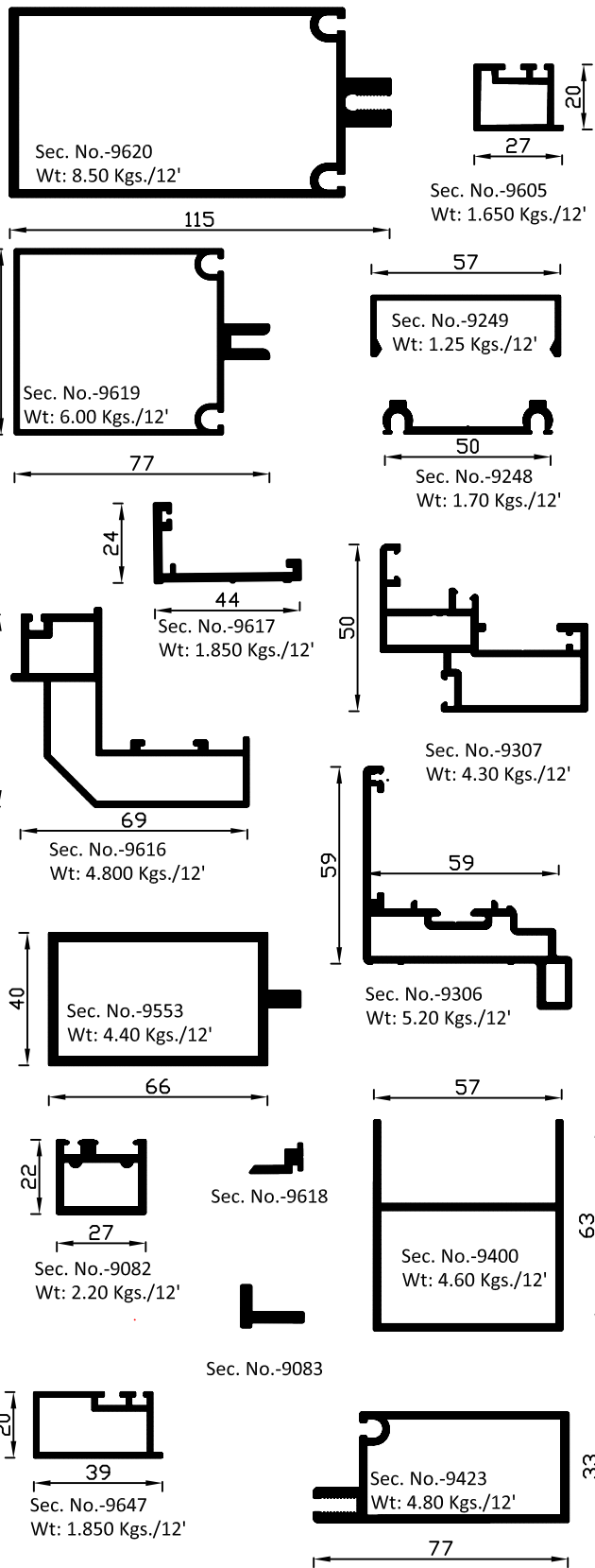
# B BOMBAY ALUMINIUM PVT. LTD.

## Curtain Wall Section

## Unitise Glazing Systems

PRODUCED BY AN AUTODESK EDUCATIONAL PRODUCT

PRODUCED BY AN AUTODESK EDUCATIONAL PRODUCT





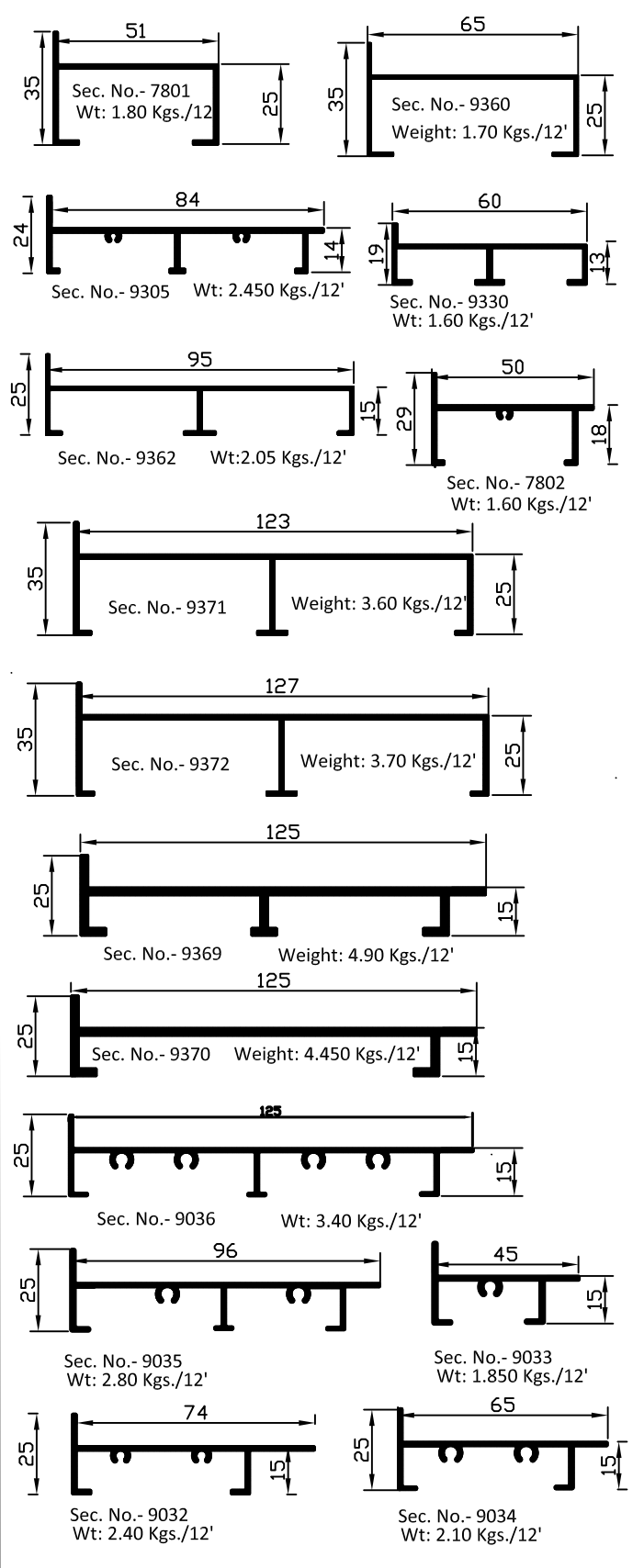
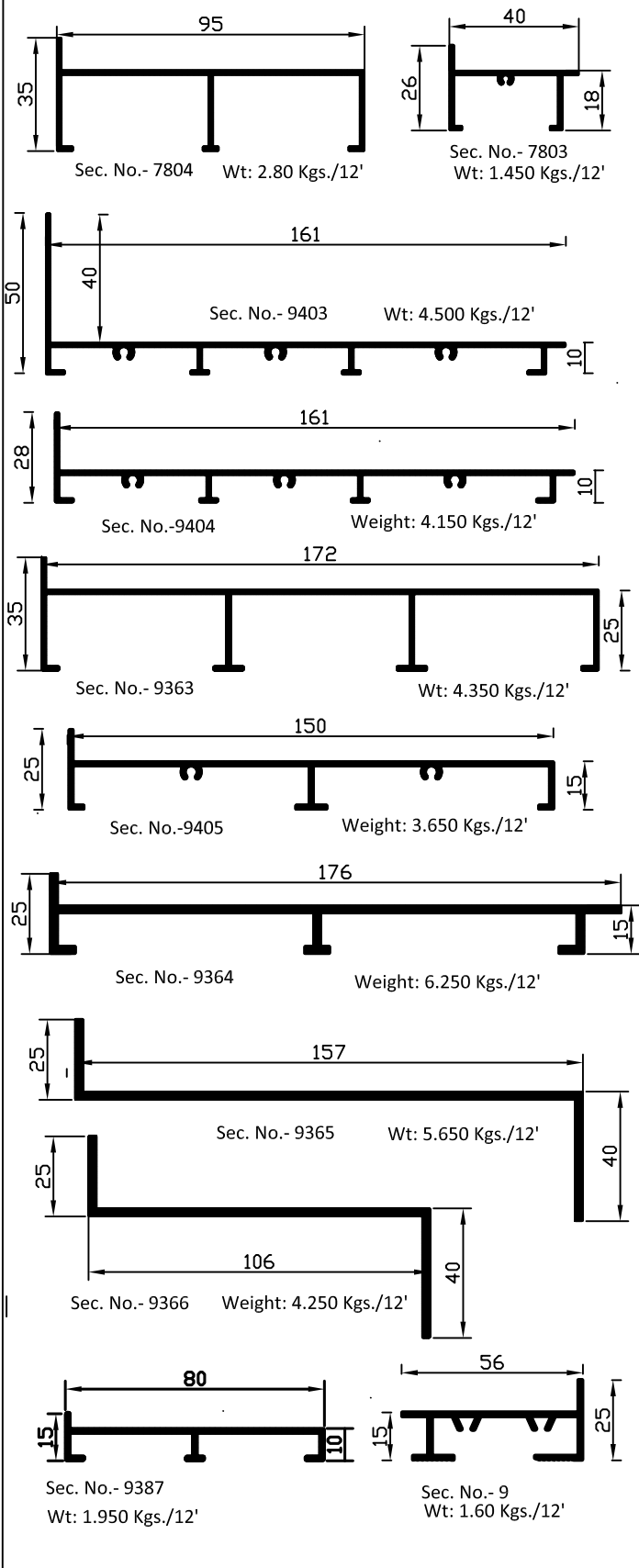
**BOMBAY ALUMINIUM PVT. LTD.**

**BOMBAY ALUMINIUM PVT. LTD.**

<p><b>27 * 65 Sliding Window Section.</b></p>	<p><b>35 * 75 Sliding Window Section.</b></p>	<p><b>40mm Casement Window Section.</b></p> <p><b>45mm Casement Window Series</b></p>	<p><b>36mm Sliding Window Section</b></p> <p><b>32mm Sliding Window Section</b></p>
<p><b>19mm Sliding Window Section</b></p>	<p><b>52mm Casement Window Section</b></p>		

**Sub Frames**

**Sub Frames**



PRODUCED BY AN AUTODESK EDUCATIONAL PRODUCT

PRODUCED BY AN AUTODESK EDUCATIONAL PRODUCT

**Aluminium Finns & Louvers**

**Aluminium Finns & Louvers**

PRODUCED BY AN AUTODESK EDUCATIONAL PRODUCT

PRODUCED BY AN AUTODESK EDUCATIONAL PRODUCT

